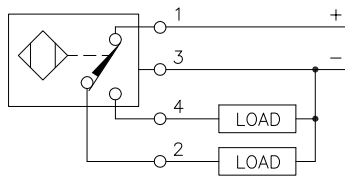
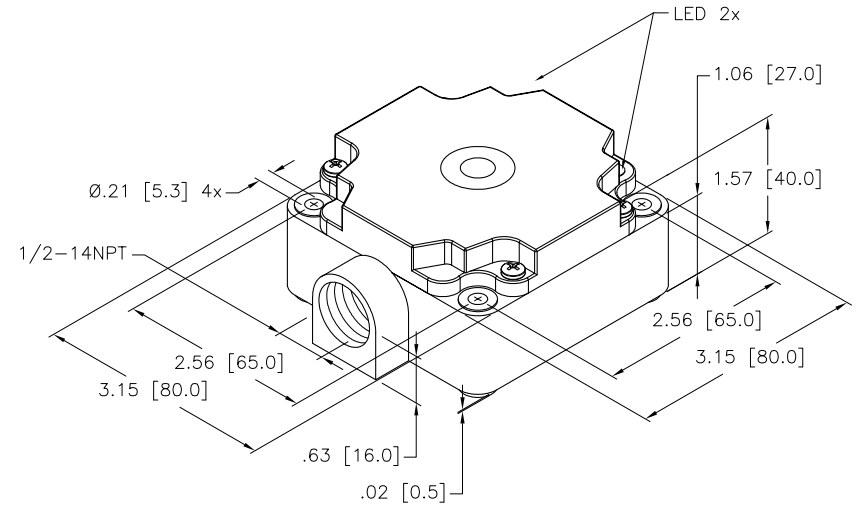


OPERATING VOLTAGE	4-WIRE DC, 10-65 VDC, SOURCING CURRENT
OUTPUT FUNCTION.....	COMPLEMENTARY (ONE NORMALLY OPEN, ONE NORMALLY CLOSED)
EMBEDDABLE	NO
RATED OPERATING DISTANCE.....	50 mm
APPROVAL OR CERTIFICATION.....	CSA (C US), CE
SHORT-CIRCUIT PROTECTION.....	YES
WELD-FIELD IMMUNITY.....	NO
SWITCHING FREQUENCY.....	100 Hz
RIPPLE	≤10%
DIFFERENTIAL TRAVEL <HYSTERESIS>.....	3-15% (5% TYPICAL)
VOLTAGE DROP ACROSS CONDUCTING SENSOR.....	≤1.8 V AT 200 mA
TRIGGER CURRENT FOR OVERLOAD PROTECTION.....	≥220 mA
CONTINUOUS LOAD CURRENT.....	≤200 mA
OFF-STATE <LEAKAGE> CURRENT.....	≤10 μA
NO LOAD CURRENT.....	4-9.5 mA
TIME DELAY BEFORE AVAILABILITY.....	≤25 ms
POWER-ON EFFECT.....	PER IEC 947-5-2
REVERSE-POLARITY PROTECTION.....	INCORPORATED
WIRE-BREAK PROTECTION.....	INCORPORATED
TRANSIENT PROTECTION.....	PER EN 60947-5-2
OPERATING TEMPERATURE.....	-25°C TO +70°C (-13°F TO + 158°F)
SHOCK.....	30 g, 11 ms
VIBRATION.....	55 Hz, 1 mm AMPLITUDE (ALL 3 PLANES)
REPEATABILITY.....	≤2% OF RATED OPERATING DISTANCE
NUMBER OF LEDS.....	2
LED FUNCTION <YELLOW>.....	OUTPUT ENERGIZED
LED FUNCTION <GREEN>.....	POWER ON
ENCLOSURE.....	MEETS NEMA 1,3,4,6,13, AND IEC IP 67
CONNECTION.....	½-14 NPT CONDUIT FITTING
HOUSING MATERIAL.....	PBT-GF30-V0 PLASTIC
TERMINAL CHAMBER COVER MATERIAL.....	TROGAMID T



SOURCE DRAWING - FOR REFERENCE ONLY

NOTE: ALL DIMENSIONAL TOLERANCES ±1.0 mm.

RELATED DOCUMENTS		3RD ANGLE PROJECTION		THIS DRAWING IS PROPERTY OF TURCK INC. USE OF THIS DOCUMENT WITHOUT WRITTEN PERMISSION IS PROHIBITED.		TURCK INC High Technology Sensors and Automation Controls 3000 CAMPUS DRIVE MINNEAPOLIS, MN 55441 1-800-544-7769 (763) 553-7300 (763) 553-0708 fax turck.com	
1.				DRFT CBM		DATE 09/13/00	
2.				DSGN		SCALE NONE	
3.		ALL DIMENSIONS DISPLAYED ON THIS DRAWING ARE FOR REFERENCE ONLY		UNIT OF MEASUREMENT		DESCRIPTION	
4.				INCH [MILLIMETER]		Ni50-CP80-VP4X2	
MATERIAL		CONTACT TURCK FOR MORE INFORMATION		IDENTIFICATION NO.		REV	
FINISH				M1501600		C	
DO NOT SCALE THIS DRAWING		FILE: M1501600		SHEET 1 OF 1			

C	UPDATE HOUSING STYLE	CBM	09/13/00	B3890
REV	DESCRIPTION	BY	DATE	ECO NO.