

**NEW**



Conforming to USB2.0 standard

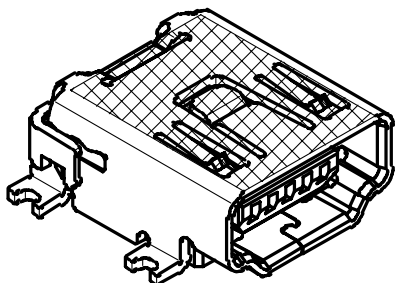
CONNECTOR

# DX1, 2, 3 Series

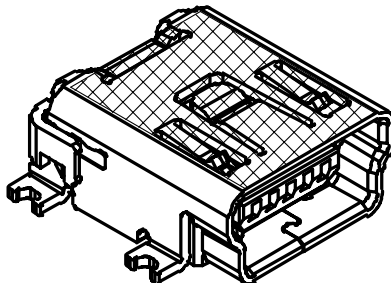
MB-0113-2

July 2006

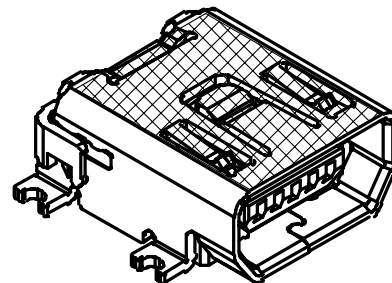
**RoHS Compliant**



**Type A**  
**DX1**



**Type B**  
**DX2**



**Type AB**  
**DX3**

[ Receptacle ]

The DX Series connectors are mini USB connectors conforming to USB2.0 standards.

**Features**

- Conforms to Universal Serial Bus Specifications Revision 2.0
- Product lineup for each type (Type A: DX1, Type B: DX2, Type AB: DX3)
- Embossed tape for automatic mounting
- Captone tape for easy adsorption at automatic mounting
- Positioning bosses for board mounting

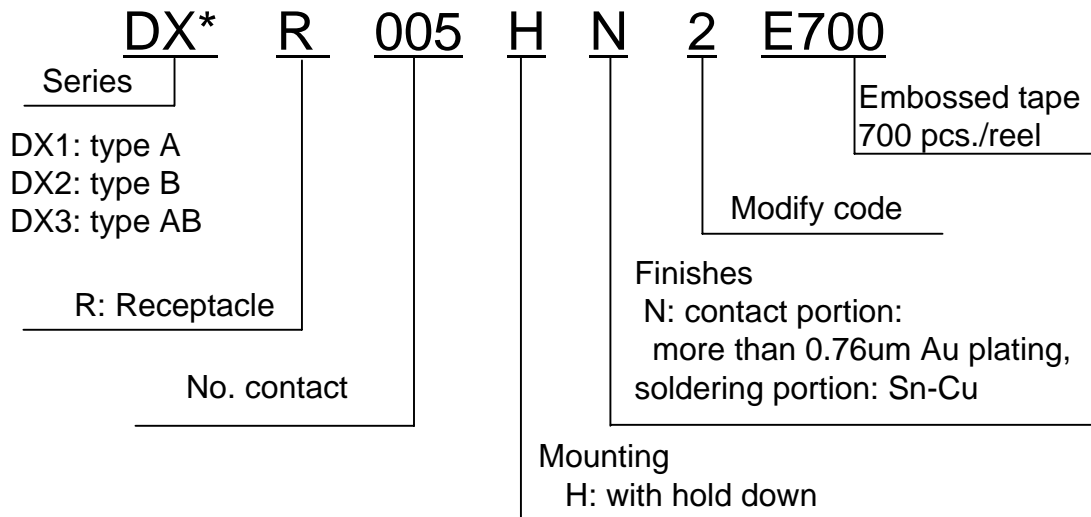
**General Specifications**

- |   |  |
|---|--|
| •No. of contacts: 5 pos.  | •Rated current: 1.0A                         |
| •Contact resistance:<br>50m ohm max. (initial)                  | •Rated voltage: AC30V.r.m.s                  |
| •Dielectric withstanding voltage:<br>AC 100 Vr.m.s (per minute) | •Operating temperature :<br>-20 to+60 Deg. C |
| •Insulation resistance:<br>100M ohm min. (initial)              | •Life time: 5,000 cycles                     |

Materials and Finishes

Componets	Materials/Finishes
Contact	Copper alloy/ Contact: Au plating over Ni (0.76um min.) Terminal: Sn-Cu flash over Ni
Insulator	Glass filled nylon
Shell	Copper alloy/ Main unit: Sn plating over Ni Through-hole portion: Sn plating over Ni

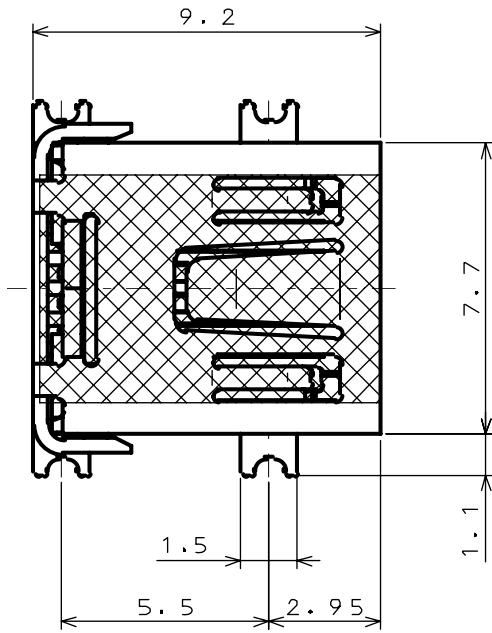
Ordering Information



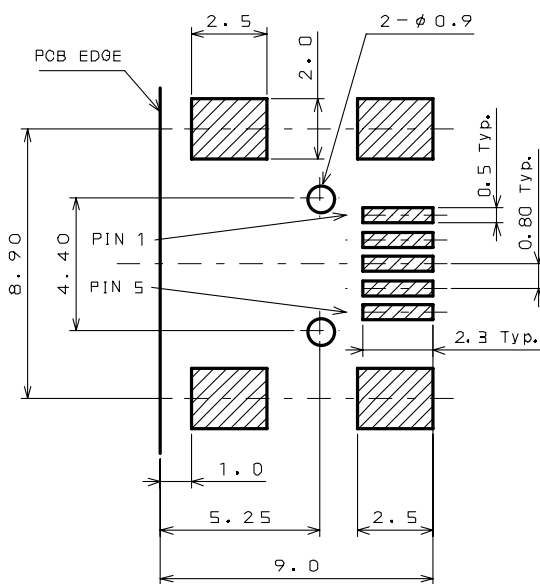
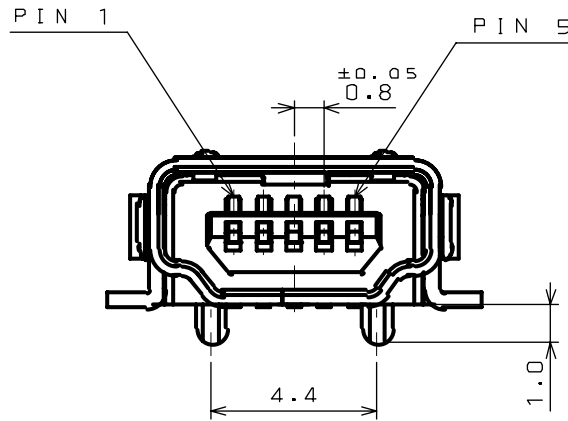
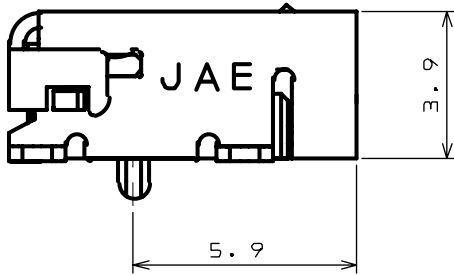
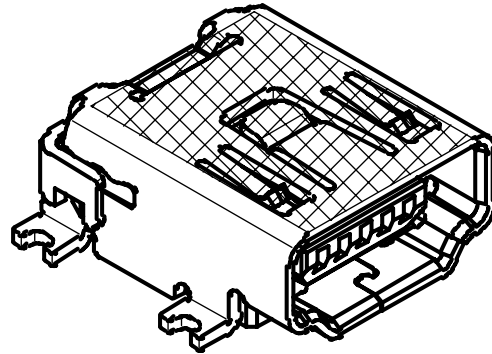
miniUSB Type	Part Number	SJ Drawing	Specification
Type A	DX1R005HN2	SJ101240	JACS-3286
	DX1R005HN2E700	SJ101242	
Type B	DX2R005HN2	SJ037525	
	DX2R005HN2E700	SJ037469	
Type AB	DX3R005HN2	SJ101241	
	DX3R005HN2E700	SJ101243	

\*Please order Embossed reel product.

Receptacle: DX1R005HN2

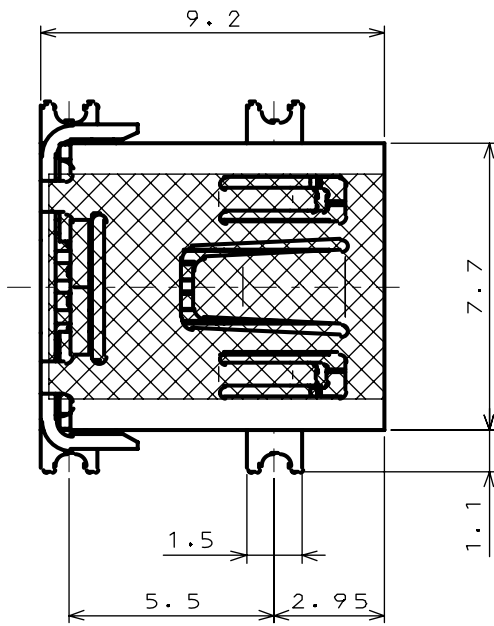


Unit: mm

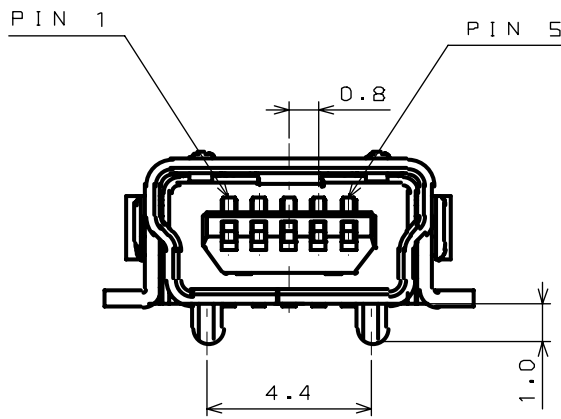
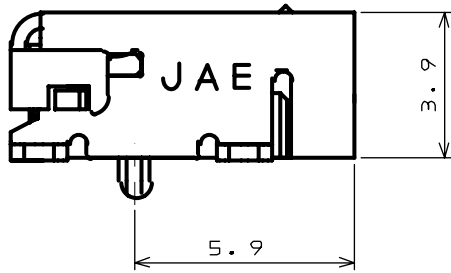
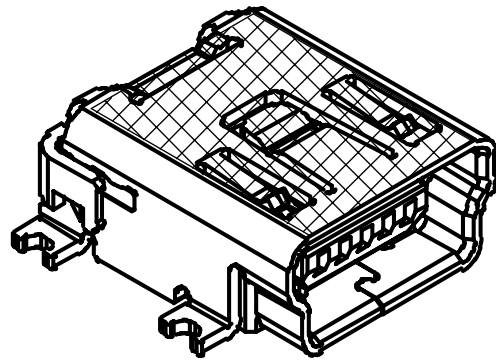


Applicable dimension of board (for reference)

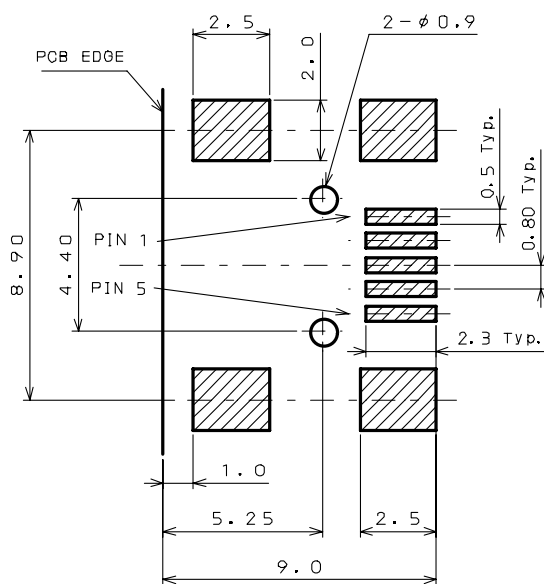
Receptacle: DX2R005HN2



Unit: mm



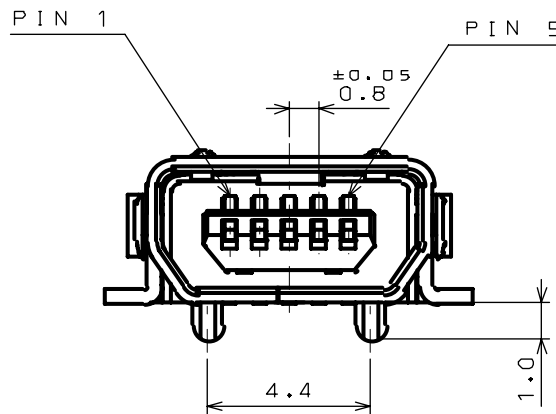
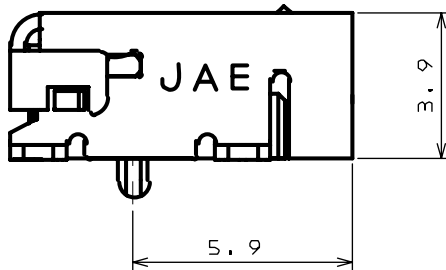
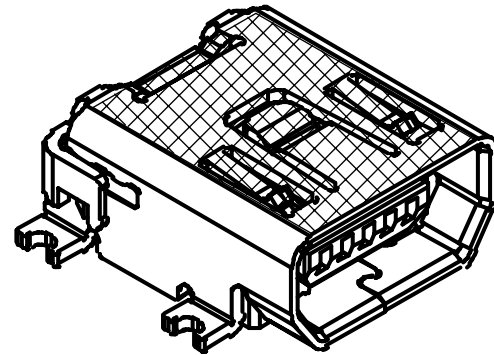
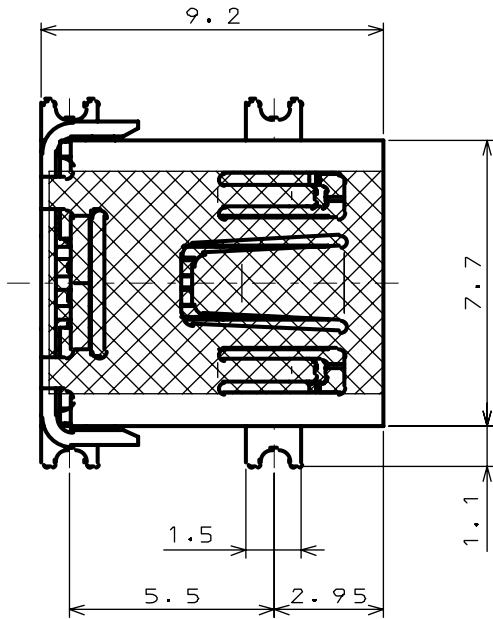
Unit: mm



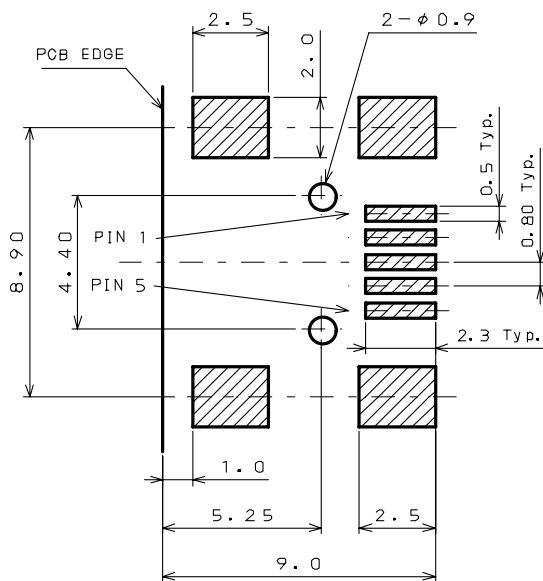
Applicable dimension of board (for reference)

Receptacle: DX3R005HN2

Unit: mm



Unit: mm



Applicable dimension of board (for reference)

**Japan Aviation Electronics Industry, Limited**

Product Marketing Division  
 Aobadai Building, 3-1-19, Aobadai, Meguro-ku, Tokyo 153-8539  
 Phone: +81-3-3780-2787 FAX: +81-3-3780-2946

**Notice:** Products shown in this leaflet are made for the applications listed below. However, if the above-mentioned products are to be used in aerospace devices, marine cable-connection devices, atomic power control systems, medical equipment for life-support systems, or any other specific application requiring extremely high reliability, please contact JAE for further information.  
 Recommended applications: Computers, Office machines, Measuring devices, Telecommunication devices (Terminals, Mobile devices), AV devices, Household applications, FA devices, etc.