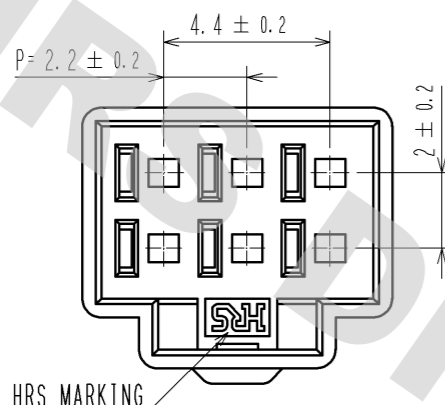
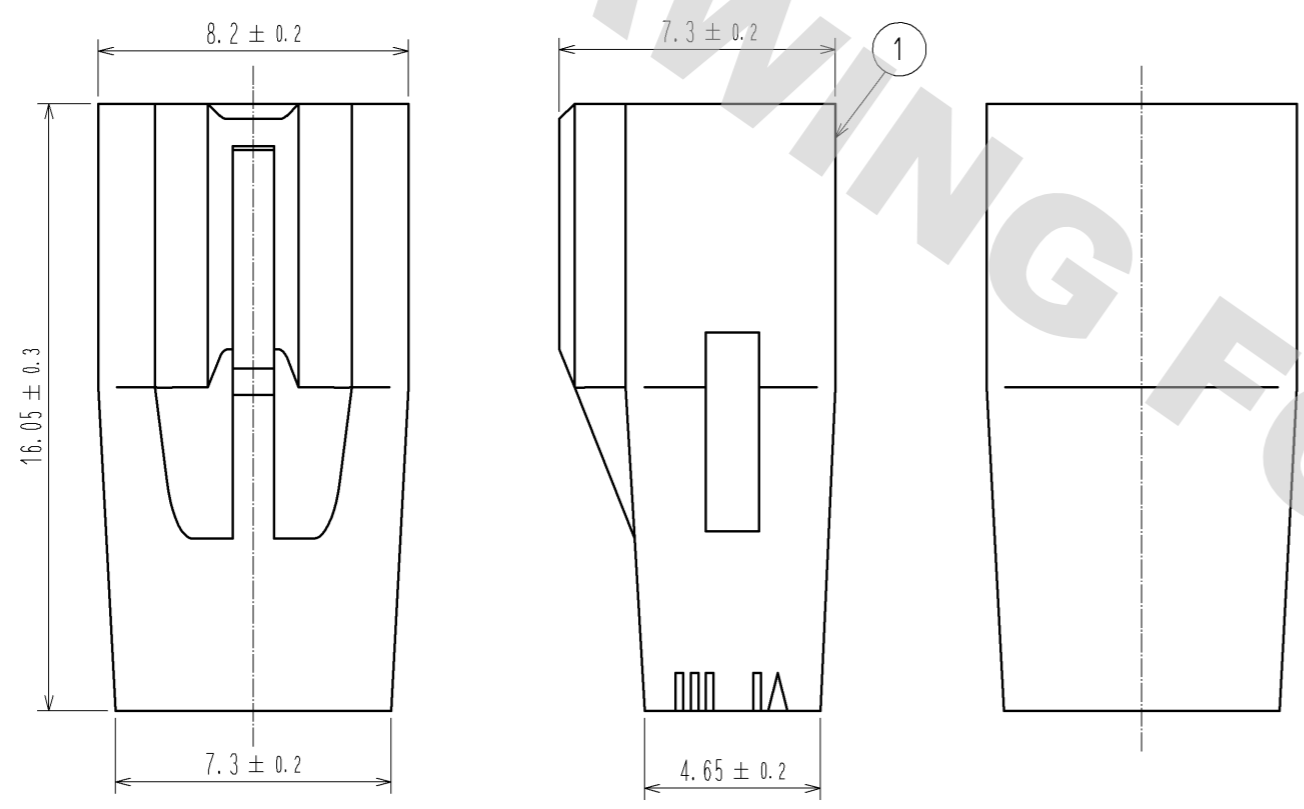
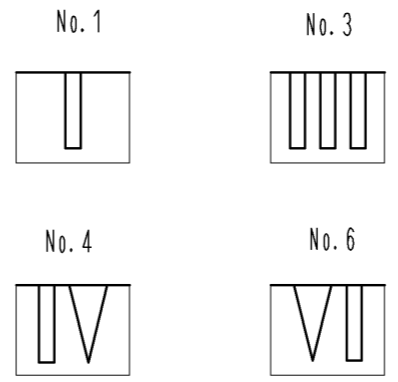


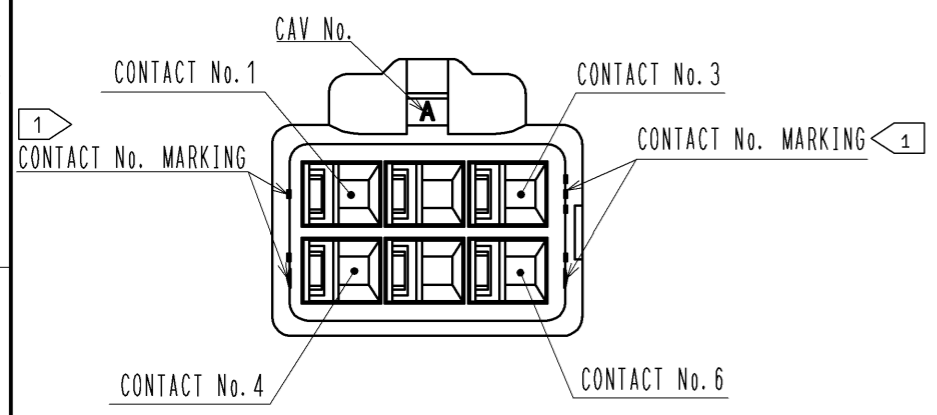
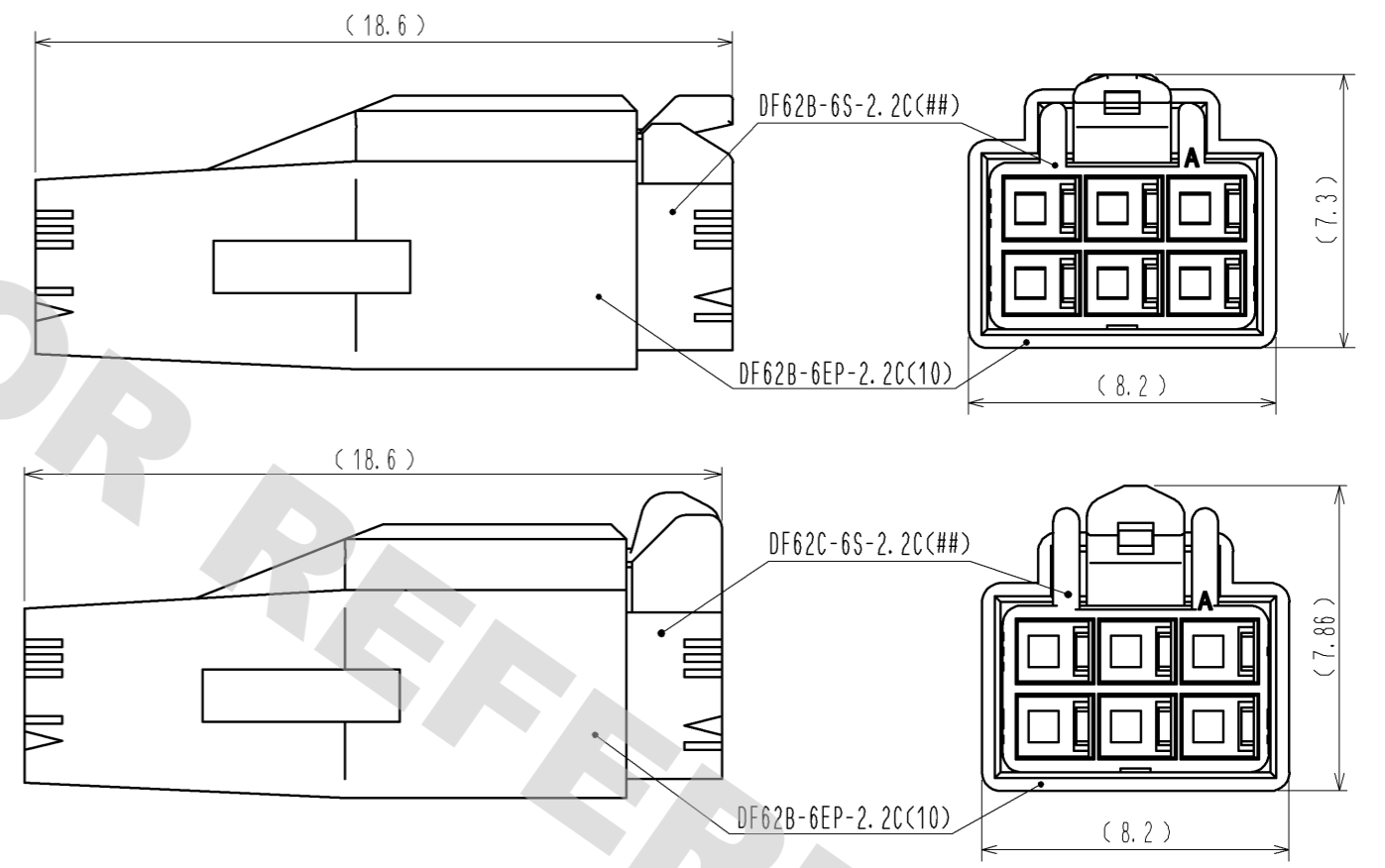
DRAWING FOR REFERENCE: This is subject to change without notice
12/05/2013



1 FIGURE-1 CONTACT No. MARKING (10:1)



MATING FIGURE



NOTE. 1 MARKINGS AT THE INDICATED POSITIONS ARE CONTACT NO. MARKING. AND SHAPES ARE SHOWN IN FIGURE-1.
2. PER PACK : 100 PIECES.
3. THE DIMENSIONS IN PARENTHESIS ARE FOR REFERENCE.

NO.		MATERIAL		FINISH . REMARKS		1	PBT	UL94V-0 (WHITE)
UNITS mm		SCALE 5 : 1		COUNT		DESIGNED		CHECKED
HRS		HIROSE ELECTRIC CO., LTD.		APPROVED : KI. AKIYAMA 13.05.29		DRAWING NO.		EDC3-351967-01
				CHECKED : HK. UMEHARA 13.05.29		PART NO.		DF62B-6EP-2.2C(10)
				DESIGNED : TS. KUMAZAWA 13.05.29		CODE NO.		CL544-0562-6-10
				DRAWN : TS. KUMAZAWA 13.05.29				1/1