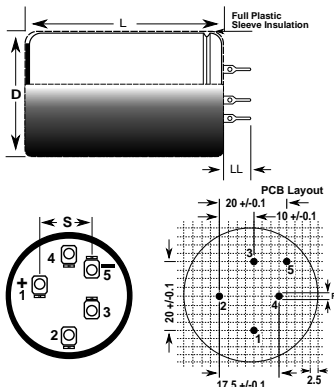


Capacitor, Aluminum, 470 uF, +/-20% Tol, -40/+85C, 385 VDC@85C



Dimensions (mm)		
Symbol	Dimension	Tolerance
D	40	+/-1
L	55	+/-2
S	20	+/-0.1
LL	7.5	+/-0.5
F	1.3	

Notes:
 -Dimensions D And L Include Slewing

General Information	
Supplier:	KEMET
Application:	General Purpose
Part Type Description:	Solder Pin, Aluminum Electrolytic
Lead Type:	5 Pin Solder Pin
Weight:	95 g
RoHS:	Yes

Specifications	
Capacitance:	470 uF
Voltage:	385 VDC
Tolerance:	+/-20%
Voltage:	423.5 VDC (Surge)
Rated Temperature:	85C
Temperature Range:	-40/+85C
Life:	26000 Hrs
Leakage Current:	1.086 mA
Leakage Condition:	uAmps (5min 20C)

Packaging Specifications	
Package Kind:	Bulk