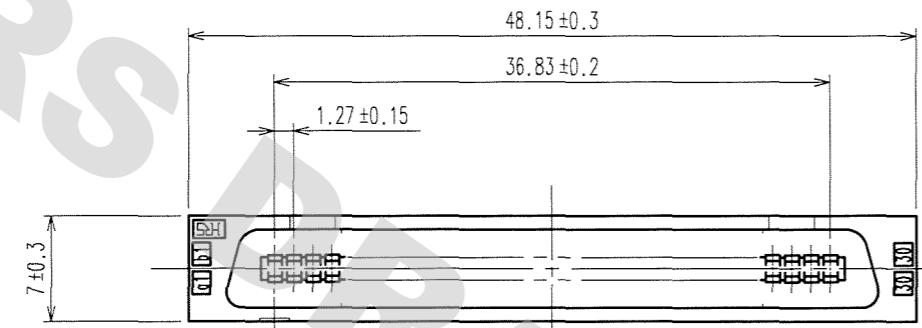
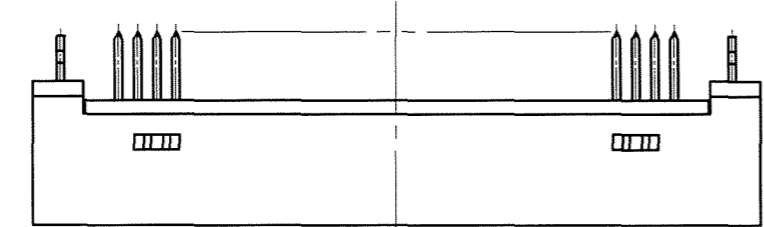
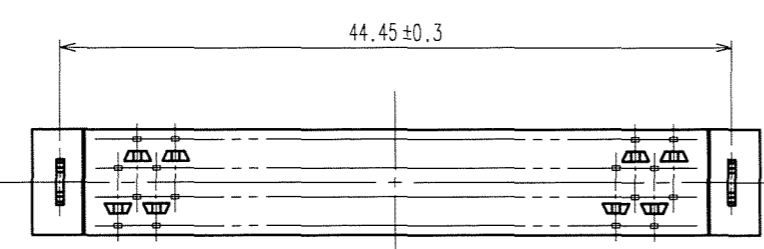
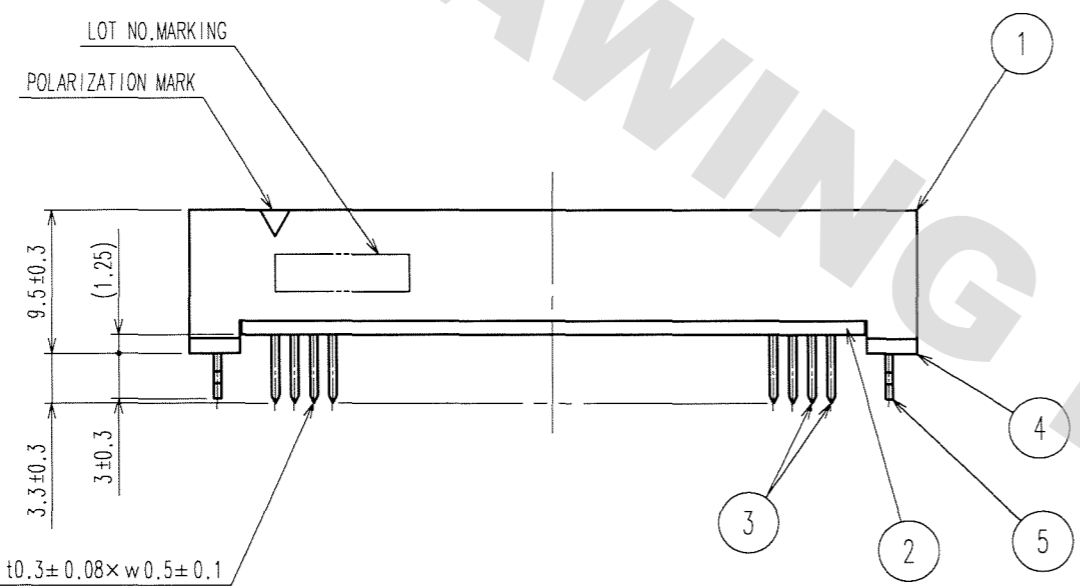
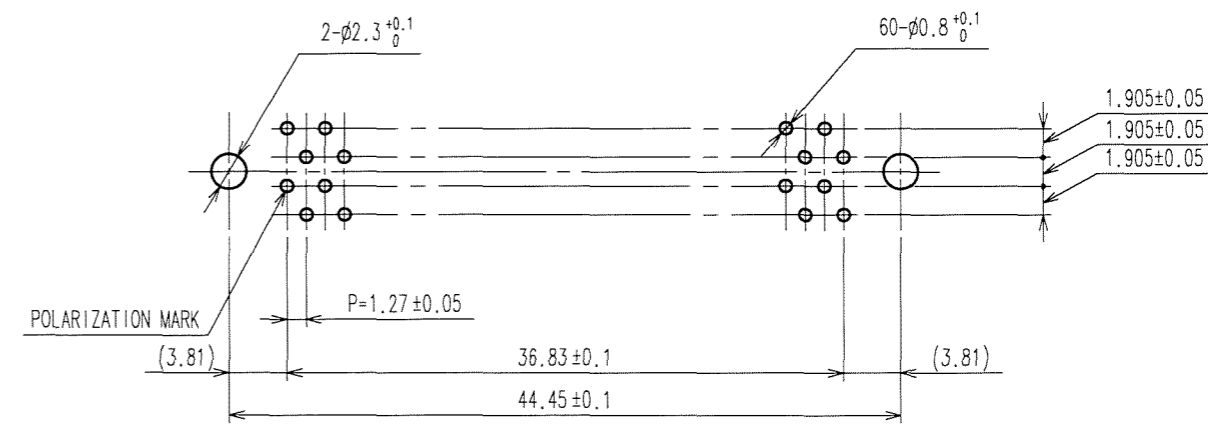


COUNT	DESCRIPTION OF REVISIONS	BY	CHKD	DATE	COUNT	DESCRIPTION OF REVISIONS	BY	CHKD	DATE
△				..	△				..
△				..	△				..
△				..	△				..



RECOMMEND PC BOARD HOLE PATTERN (MOUNTING SIDE)
t=1.6

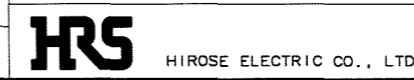


NOTES 1. THE DIMENSIONS IN PARENTHESES ARE FOR REFERENCE.

5	PHOSPHOR BRONZE	TIN-PLATING							CONTACT AREA:GOLD 0.2μ m min
4	POLYAMIDE	BLACK	UL94V-0		3	PHOSPHOR BRONZE			DIP AREA:TIN-PLATING 2μ m min
1,2	POLYAMIDE	BLACK	UL94V-0						UNDER PLATING:NICKEL 2μ m min
NO.	MATERIAL	FINISH, REMARKS			NO.	MATERIAL	FINISH, REMARKS		

CODE NO. (OLD)	DRAWN	DESIGNED	CHECKED	APPROVED	RELEASED
CL	K.NAKAMURA	K.NAKAMURA	C. Ogawa	H. Okawa	
	07.05.17	07.05.17	'07.05.18	07.05.18	..

SCALE	DRAWING NO.	PART NO.
2:1	EDC3-083159-21	FX2CA1-60P-1.27DSAL(71)
UNITS	CODE NO.	
mm	CL572-2365-5-71	1/1



DRAWING FOR REFERENCE: This is subject to change without notice
08/11/2012

TO
PCK

