



ENGLISH

# Datasheet

## AC Axial Fan

RS Stock number 619-6983



### Frame

Diecast Aluminium

### Impeller

PBT, UL94V-0 Thermoplastic

Finger Guard: G80 – 18

Plastic Guard: G80P

Aluminium Filter: WMG80M

Filter Kit- GRM80-30, GRM80-45

## Specifications:

RS Part Number	Orion Part Number	Speed (RPM)	Airflow (CFM)	Noise (db)	Volts (AC)	Voltage Range	Watts	Connection Type
6196983	OA80AP-11-1TB	3000	31	36	115	80~130	12	Terminal
6196977	OA80AP-11-1TB(20)*	3000	31	36	115	80~130	12	Terminal
6196999	OA80AP-11-1WB	3000	31	36	115	80~130	12	Lead Wire
6197015	OA80AP-22-1TB	3000	31	36	230	160~260	12	Terminal
6197009	OA80AP-22-1WB	3000	31	36	230	160~260	12	Lead Wire

\*(20): Indicates Environmentally Protective Coating

Data Tolerance +/- 10%



### Specifications:

#### Motor

Shaded Pole  
Impedance Protected

#### Dielectric Strength

1 minute at 1500 V ac, 50/60 Hz

#### Life Expectancy (L10)

Ball Bearing 60,000 hours

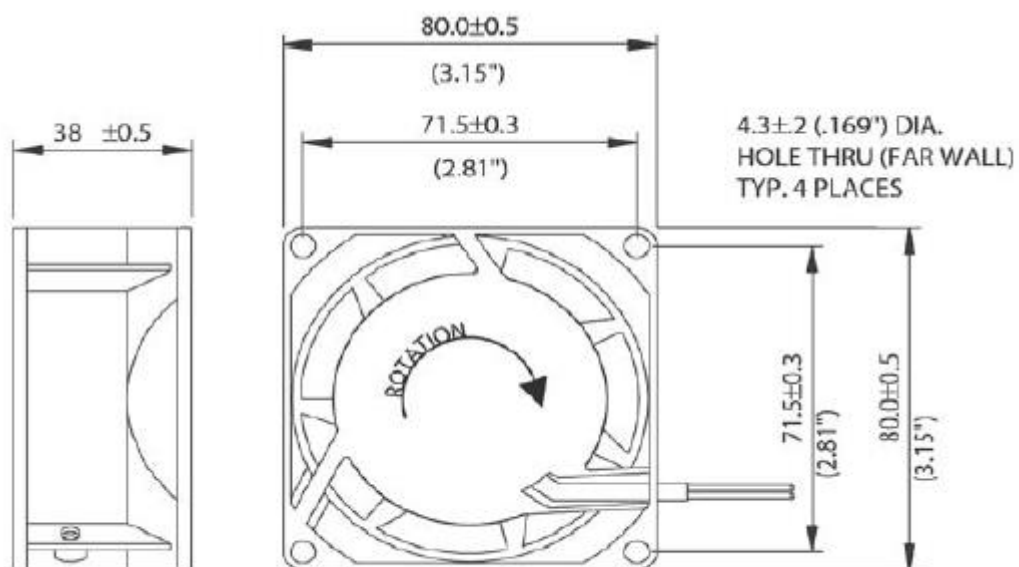
#### Operating Temperature

-20C ~ +80C

#### Safety Approvals

UL/CUL, TUV, CE

### Dimensions (mm):



\*Drawing for Dimensional Reference Only