

PARATHOM PRO MR16 20 36° ADV 5 W/940 GU5.3

PARATHOM PRO MR16 advanced | Dimmable low-voltage LED reflector lamps MR16 with retrofit pin base



Areas of application

- As a downlight for marking walkways, doors, stairs, etc.
- Exhibitions, department stores
- Outdoor use in outdoor luminaires only (minimum IP65)
- Directional light sources
- Museums
- Hospitality
- Shops

Product benefits

- Very low energy consumption
- Extremely long life
- Robust against vibrations
- No UV and near-IR radiation in the light beam
- Efficient generation of white light

Product features

- Professional LED lamp
- Dimmable (with many common dimmers, see also www.osram.com/dim)
- Base: GU5.3
- Lifetime: up to 50,000 h
- Mercury-free lamps
- High color consistency



Technical data

Electrical data

Rated wattage	5.00 W
Nominal wattage	5.00 W
Nominal voltage	12 V
Claimed equiv. conventional lamp power	20 W
Operating frequency	50...60 Hz
Power factor λ	0.91
Energy consumption	6 kWh/1000h

Photometrical data

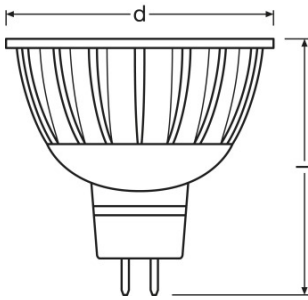
Luminous intensity	500 cd
Nominal luminous flux	210 lm
Rated luminous flux	210 lm
Color temperature	4000 K
Color rendering index Ra	90
Lumen main.fact.at end of nom.life time	0.70
Light color as per EN 12464-1	Cold White
Standard deviation of color matching	≤ 3 sdcn
Nominal useful luminous flux 90°	210 lm
Rated useful luminous flux 90°	210 lm
Rated peak intensity	530 cd

Light technical data

Beam angle	36 °
Warm-up time (60 %)	< 0.20 s
Starting time	< 0.2 s
Nominal beam angle	36.00 °
Rated beam angle (half peak value)	36.00 °

Dimensions & weight

Product datasheet



Product line drawing

Overall length	46.0 mm
Diameter	50.0 mm
Outer bulb	MR51
Length	46.0 mm
Maximum diameter	50.0 mm

Colors & materials

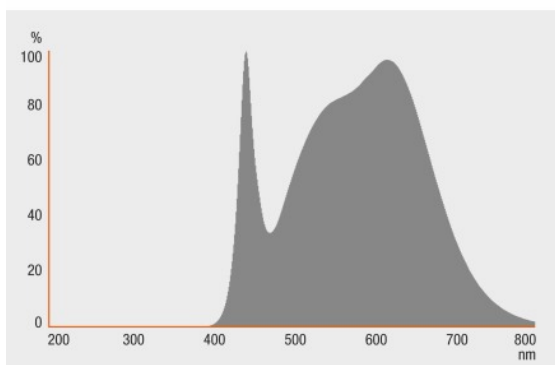
Mercury-free	Yes
---------------------	-----

Lifespan

Nominal lamp life time	50000 h
Rated lamp life time	50000 h
Number of switching cycles	1000000

Additional product data

Product datasheet



Spectral power distribution

Base (standard designation)	GU5.3
Appropriate disposal acc. to WEEE	Yes
Footnote only for product	All technical parameters apply to the entire lamp/Due to the complex production process for light-emitting diodes, the typical values shown for the technical LED parameters are purely statistical values that do not necessarily match the actual technical parameters of each individual product, which can vary from the typical value/LED lamps contain several electronic components. Under unfavourable conditions these can lead to acoustic noise. In case of resonance even low noise can cause audible effect. Possible factors influencing this are the installation, the design of the lamp holder and the luminaire (acoustic resonance effect) as well as the dimmer or the transformer (harmonics or electronic resonance)

Capabilities

Dimmable	Yes ¹⁾
-----------------	-------------------

¹⁾ With many common dimmers, see also www.osram.com/dim

Certificates & standards

Energy efficiency class	A
--------------------------------	---

Country specific categorizations

ILCOS	DRR-5-12-GU5,3-50/36
--------------	----------------------

Product datasheet

Order reference	PPMR162036 5W/9
------------------------	-----------------

Country specific information

Product code	METEL-Code	SEG number	STK number	UK Org
4052899904712	-	8334331	4730353	-

Product datasheet



Guarantee

Equipment / Accessories

- Equipped with high-power LEDs
- Suitable for many commercially available electronic or conventional transformers

Logistical Data

Product code	Product description	Packaging unit (Pieces/Unit)	Dimensions (height x width x length)	Volume	Gross weight
4052899904712	PARATHOM PRO MR16 20 36° ADV 5 W/940 GU5.3	Folding carton box 1	55 mm x 52 mm x 52 mm	0.15 dm ³	48.00 g
4052899904774	PARATHOM PRO MR16 20 36° ADV 5 W/940 GU5.3	Shipping carton box 10	71 mm x 114 mm x 271 mm	2.19 dm ³	546.00 g
4008321841636	PARATHOM PRO MR16 20 36° ADV 5 W/940 GU5.3	Shipping carton box 90	- x - x -		

The mentioned product code describes the smallest quantity unit which can be ordered. One shipping unit can contain one or more single products. When placing an order, for the quantity please enter single or multiples of a shipping unit.

References / Links

For dimming conformity see

▶ www.osram.com/DIM

For further products and actual information concerning LED lamps see

▶ www.osram.com/ledlamps

For Guarantee see

▶ www.osram.com/guarantee

Further information see

▶ www.osram.com/low-voltage-ledlamps

Disclaimer

Subject to change without notice. Errors and omission excepted. Always make sure to use the most recent release.