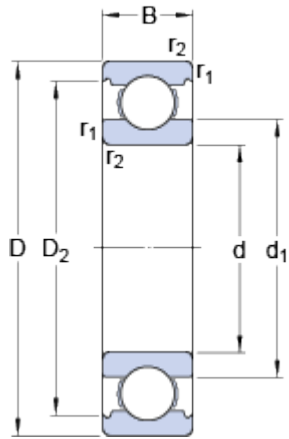


6201

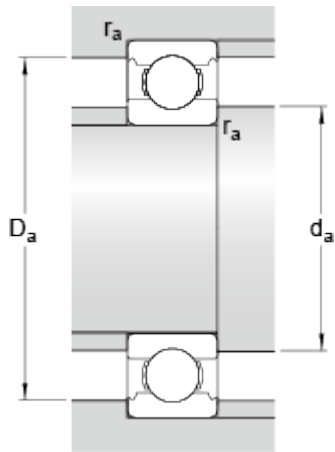
SKF Explorer

Dimensions



d		12	mm
D		32	mm
B		10	mm
d ₁	≈	18.45	mm
D ₂	≈	27.34	mm
r _{1,2}	min.	0.6	mm

Abutment dimensions



d _a	min.	16.2	mm
D _a	max.	27.8	mm
r _a	max.	0.6	mm

Calculation data

Basic dynamic load rating	C	7.3	kN
Basic static load rating	C ₀	3.1	kN
Fatigue load limit	P _u	0.132	kN
Reference speed		50000	r/min
Limiting speed		32000	r/min
Calculation factor	k _r	0.025	
Calculation factor	f ₀	12	

Mass

Mass bearing		0.0366	kg
--------------	--	--------	----