



Main

Product or component type	Biometric switch
Product specific application	Industrial machines Materials handling
Device short name	XB5S
Bezel material	Plastic
Mounting diameter	22 mm
Output type	PNP
Sale per indivisible quantity	1
IP degree of protection	IP65 front face conforming to EN/IEC 60529 IP20 rear face conforming to EN/IEC 60529
Type of operator	Stay put
Operator position information	2 positions
Operator profile	Fingerprint reader
Connections - terminals	1 pre-wired cable, clamping capacity: 3 x 0.34 mm ²
Memory usage	200 users with up to 2 fingerprints per user

Complementary

Enclosure material	Polyamide PA66
Cable insulation material	PvR
Operating position	Flat surface installation Horizontal position Vertical surface installation
Function of module	Bi-stable
Product weight	0.17 kg
Marking	CE
Local signalling	1 LED green, function: output state indicator 1 LED red, function: error 1 LED red, function: reset 1 LED orange, function: administrator's registration mode 1 LED orange, function: operator's registration mode
Short circuit protection	250 mA by gG external fuse
[Us] rated supply voltage	24 V DC
Electrical connection	Free wire ends with 3 wires of 2 m
Supply voltage limits	20...30 V DC
Protection type	Overload protection Reverse polarity Short-circuit
Maximum switching current	<= 200 mA
[Ures] residual voltage	<= 1 V, closed state
Current consumption	<= 70 mA no-load
Delay first up	3 s + 0.5 ms per user registered
Delay recovery	1.5 s
Delay response	1.5 s

Environment

range of product	Harmony XB5S
ambient air temperature for storage	-25...70 °C
ambient air temperature for operation	-5...50 °C
NEMA degree of protection	NEMA 12
standards	IEC 61000-6-2

The information provided in this documentation contains general descriptions and/or technical characteristics of the performance of the products contained herein. This documentation is not intended as a substitute for and is not to be used for determining suitability or reliability of these products for specific user applications. It is the duty of any such user or integrator to perform the appropriate and complete risk analysis, evaluation and testing of the products with respect to the relevant specific application or use thereof. Neither Schneider Electric Industries SAS nor any of its affiliates or subsidiaries shall be responsible or liable for misuse of the information contained herein.

product certifications	CSA UL
vibration resistance	+/- 3 mm (f = 5...9 Hz) conforming to IEC 60068-2-6 1 gn (f = 9...500 Hz) conforming to IEC 60068-2-6
shock resistance	50 gn for 11 ms conforming to IEC 60068-2-27

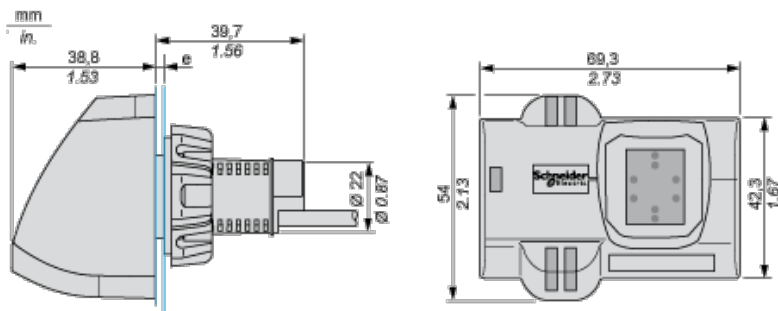
Offer Sustainability

Sustainable offer status	Not Green Premium product
RoHS (date code: YYWW)	Compliant - since 0910 - Schneider Electric declaration of conformity
REACH	Reference not containing SVHC above the threshold
Product environmental profile	Available

Contractual warranty

Warranty period	18 months
-----------------	-----------

Dimensions of Biometric Switches



e: 1 to 6 mm / 0.04 to 0.24 in.

Cable with PNP Output



BU: Blue
BN: Brown
BK: Black