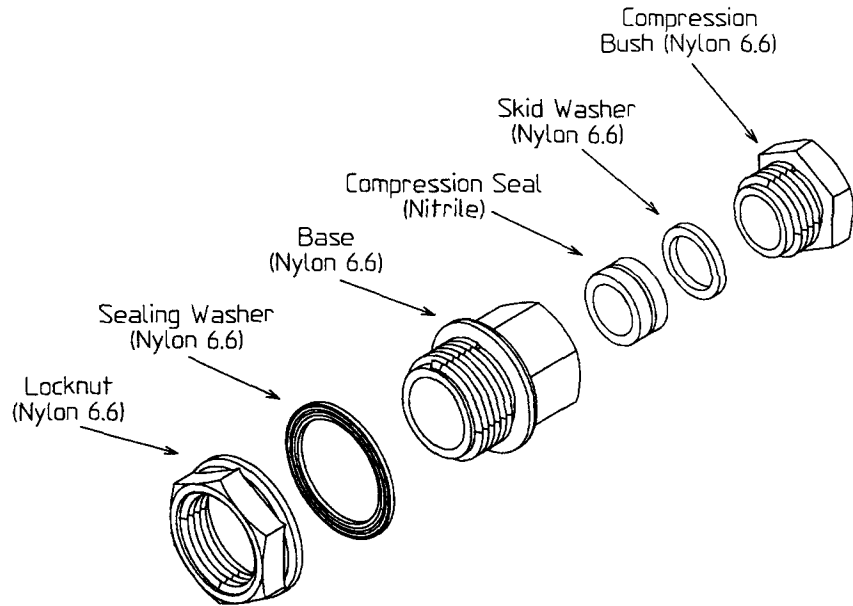
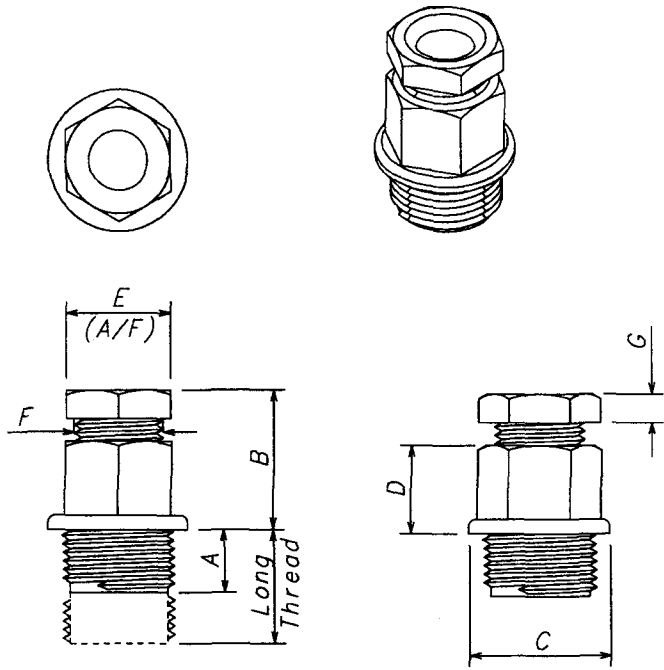


Drawing No. 000712 Rev. A

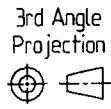


Cat. Ref.	Entry Thread x Pitch	Cable Range		General Dimensions							Long Thread Cat. Ref. (20mm Thread Length)	Locknut Cat. Ref.	S. Washer Cat. Ref.
		Min Ø	Max Ø	A	B	C	D	E	F	G			
248	M16 x 1.5	4.0	6.0	10.0	25.0	22.0	15.5	19.0	M16	5.0	256	92	96
249	M20 x 1.5	4.0	6.0	11.0	25.0	25.0	15.5	19.0	M16	5.0	257	93	97
250	M16 x 1.5	7.0	10.0	10.0	25.0	22.0	15.5	19.0	M16	5.0	258	92	96
251	M20 x 1.5	7.0	10.0	11.0	25.0	25.0	15.5	19.0	M16	5.0	259	93	97
252	M20 x 1.5	8.0	13.0	11.0	30.5	26.0	18.0	23.0	M20	6.0	260	93	97
253	M25 x 1.5	8.0	13.0	12.0	30.5	31.5	18.0	23.0	M20	6.0	261	94	98
254	M25 x 1.5	12.0	18.0	12.0	32.5	32.0	20.0	28.0	M25	6.0	262	94	98
255	M32 x 1.5	18.0	24.0	13.0	35.0	4.1.0	22.5	36.0	M32	7.0	263	95	99
264	M25 x 1.5	4.0	6.0	12.0	25.0	31.5	15.5	19.0	M16	5.0	266	94	98
265	M25 x 1.5	7.0	10.0	12.0	25.0	31.5	15.5	19.0	M16	5.0	267	94	98

\*\*\* NOTE \*\*\*

Dimensions shown for uncompressed length are approximate

Product Specification Sheet N/A	Drafted BNM
Dimensions mm	Date 25-08-98
Scale & Size 1:1 @ A3	Checked & Approved D. E. Williams



Tolerance Unless Otherwise Stated  
Linear 0 +/- 0.3  
0.0 +/- 0.2  
0.00 +/- 0.1  
Angular +/- 1/2 Deg.



Elkay Electrical Manufacturing Co. Ltd,  
Mochdre Industrial Estate,  
Newtown, Powys, SY16 4LF  
Tel. (01686) 627000  
Fax. (01686) 626649  
A Smiths Industries Company

TITLE GA Drawing for Range of Standard Metric Cable Glands	
Drawing No. 000712	Rev. A

All rights concerning this drg. are owned by ELKAY and must not be shown or copied without written permission