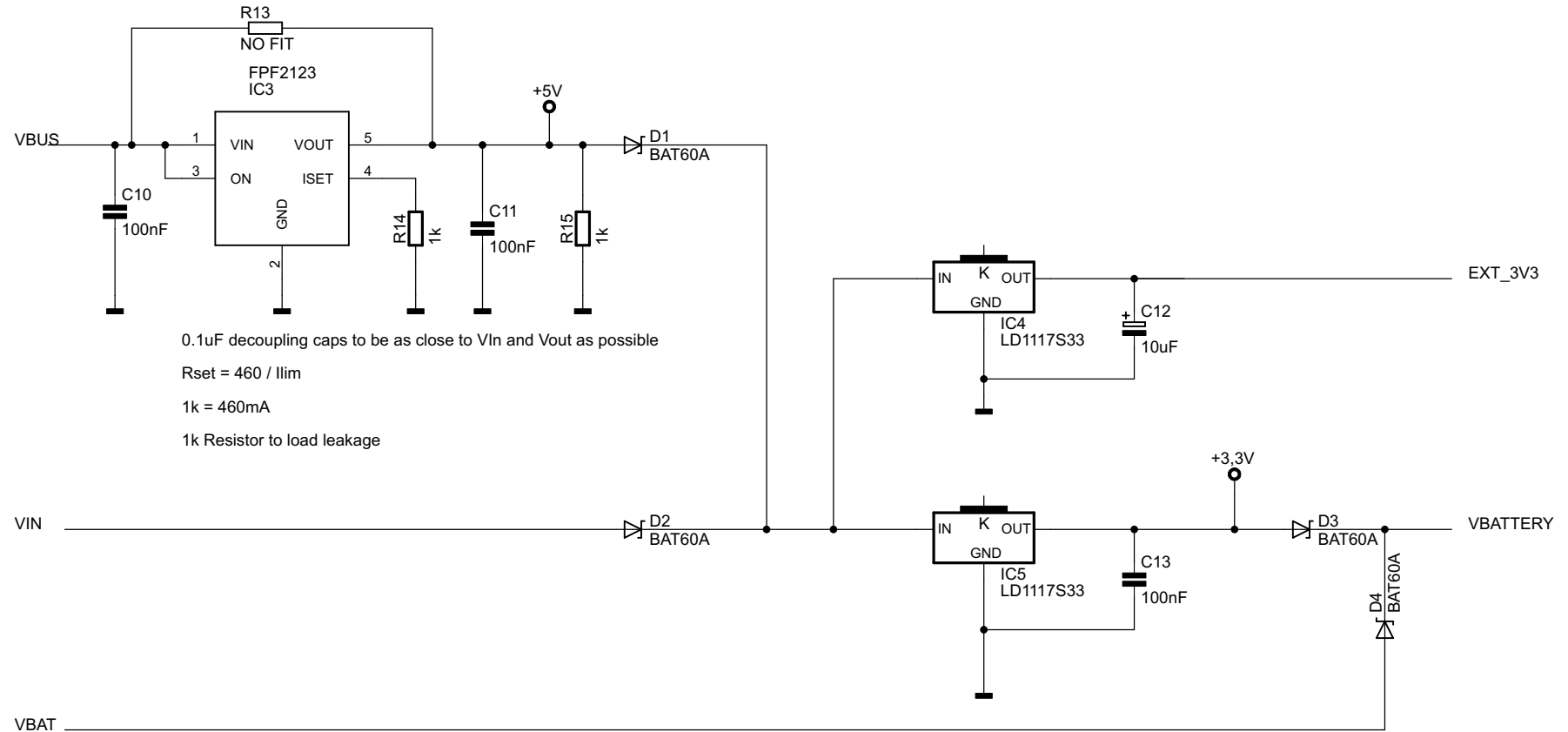
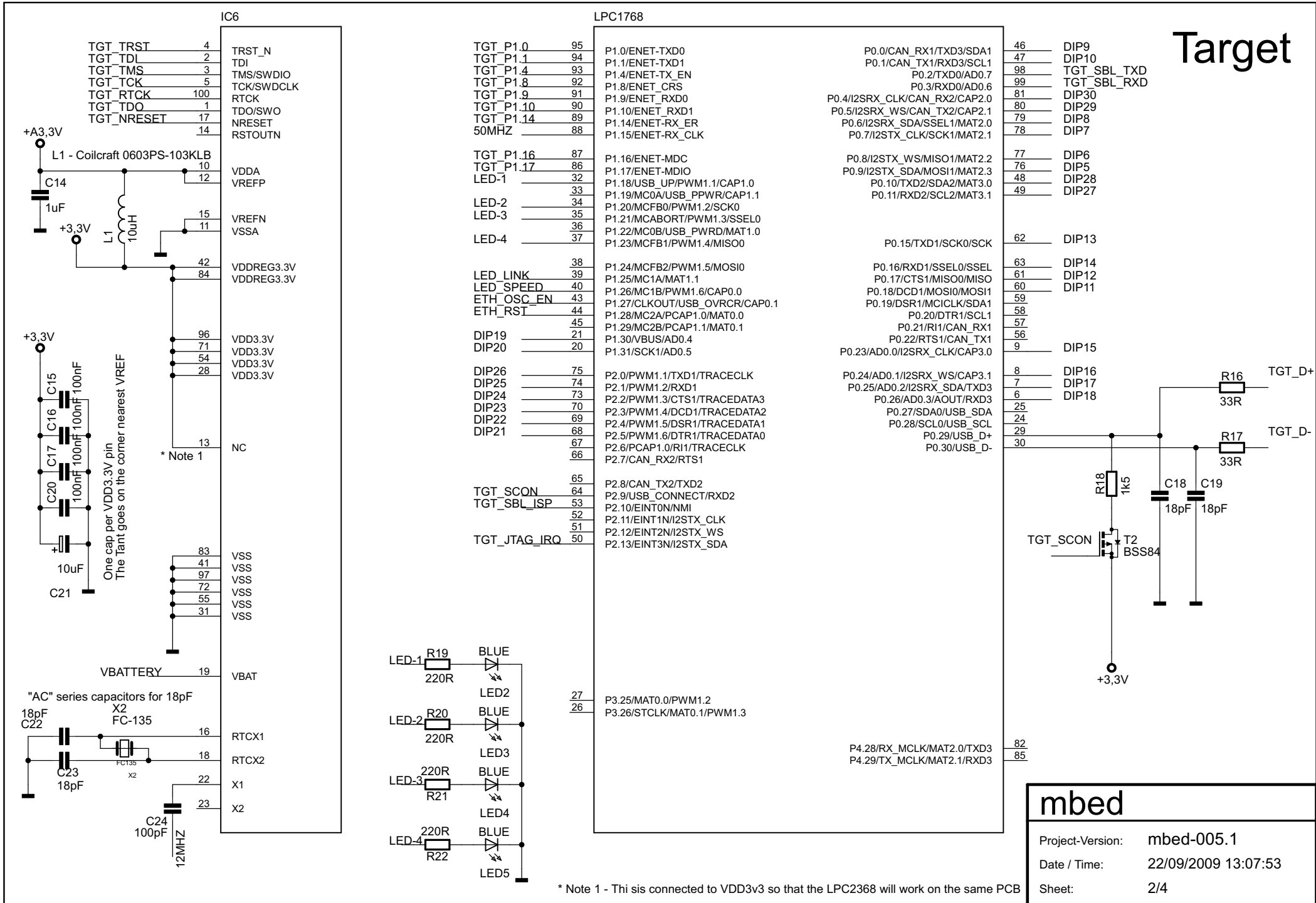


# Power Supply Circuits



mbed	
Project-Version:	mbed-005.1
Date / Time:	22/09/2009 13:07:53
Sheet:	1/4

# Target



**mbed**

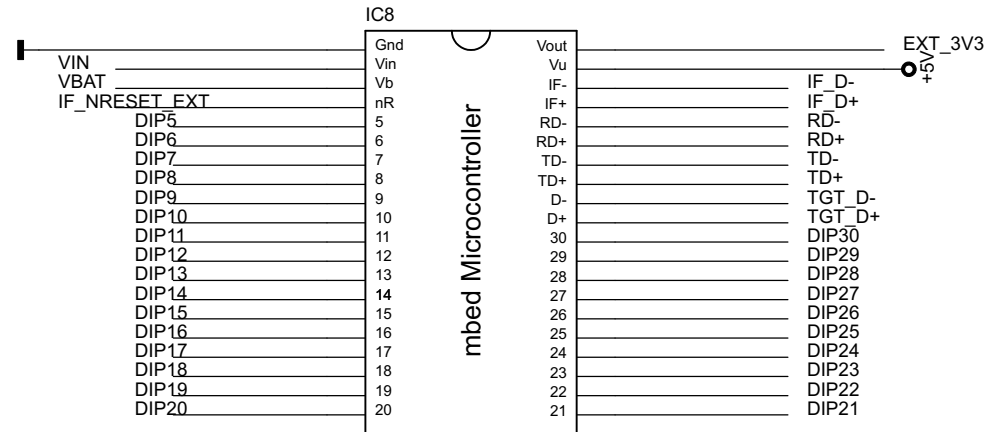
Project-Version: mbed-005.1

Date / Time: 22/09/2009 13:07:53

Sheet: 2/4



# DIP Pinout



<b>mbed</b>	
Project-Version:	mbed-005.1
Date / Time:	22/09/2009 13:07:53
Sheet:	4/4