

Datasheet

ELED-40-D Series

40W Dali Dimmable Driver

ENGLISH



CE DALI

Features:

- Dali dimmable
- Constant current and constant voltage design
- Protections: Short circuit/ Overload/ Over voltage
- Built-in PFC function (PFC>0.95)
- Cooling by free air convection
- Up to 80% efficiency
- Fully isolated, delivering up to 40W of power
- Dali control standard IEC62386
- Dali control input <2mA, 1-100% logarithmic dimming range

Model No.	ELED-40-350D	ELED-40-700D	ELED-40-12D	ELED-40-24D
Input Voltage Range	220-240VAC			
AC Frequency	50-60Hz			
Output Mode	Constant Current		Constant Voltage	
Output Current	350mA	700mA	0-3.0A	0-1.5A
Output Voltage	75-81V	45-56V	12V	24V
Output Power	40W Max			
Power Factor	>0.95			
Efficiency	>80%			
Operating Temperature	-30°C+45°C			
Relative Humidity	5-95%			
Isolation Voltage	In/ Out 3000VAC			
Vibration	5-55Hz/ 2g, 30minutes			
EMI	EN55022, EN55015 Class B			
Safety	EN61347-1, EN61347-2-13			
Electromagnetic Immunity	EN61547, EN55024, EN61000-4-2, 3, 4, 6, 8, 11			
Harmonic Current Emissions	EN61000-3-2, EN61000-3-3			
Dimensions (mm)	103x 67x 30			

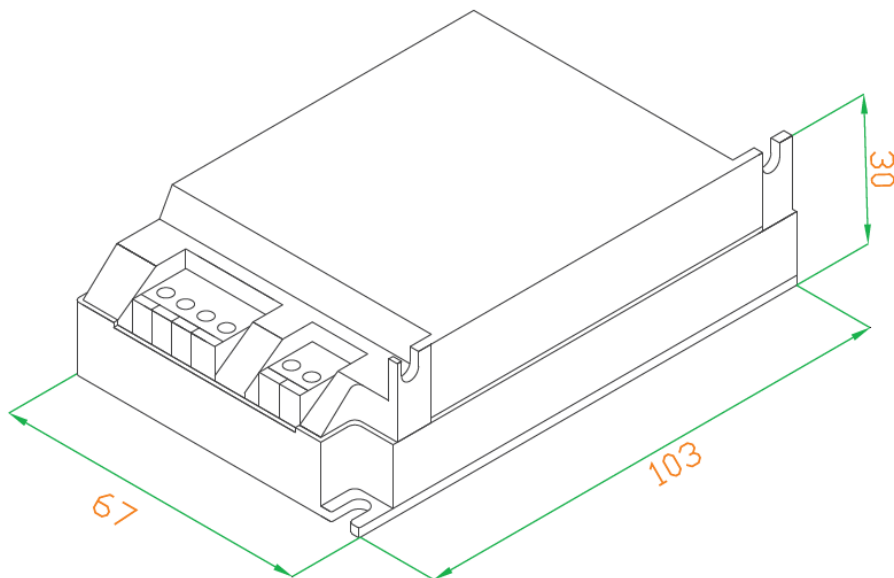


ELED-40-D Series

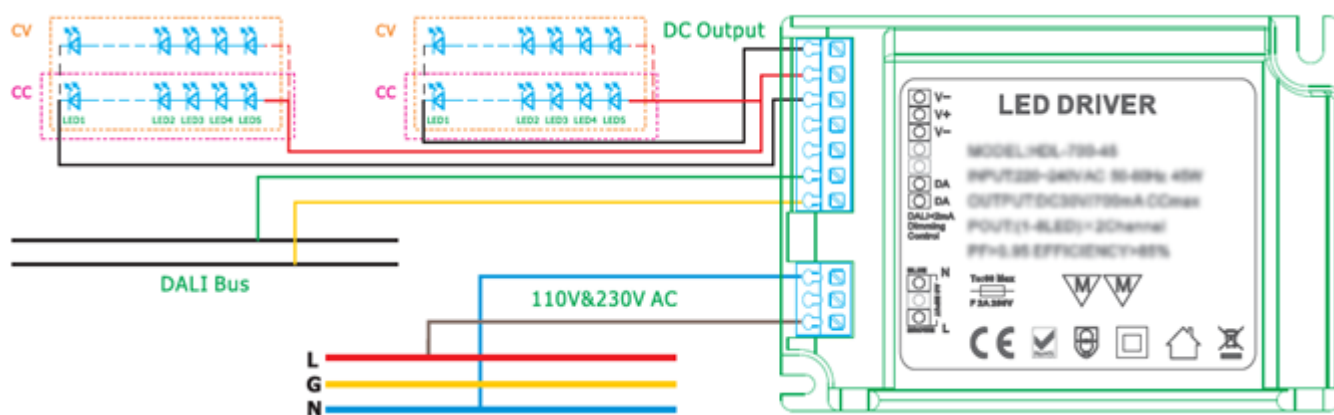
40W Dali Dimmable Driver

ENGLISH

Dimensions Chart(mm)



Wiring Schematic



RS Components, Birchington Road, Corby, Northants, NN17 9RS
T: 01536 201234