

705-1193

Description: Electronic Digital Caliper

Specification: 0-150mm/6"

Resolution: 0.01mm/0.0005"

Accuracy: $\pm 0.02\text{mm}/\pm 0.001\text{"}$



FEATURES

Made of stainless steel throughout.

All measuring faces is finished.

Provided a direct and clear display.

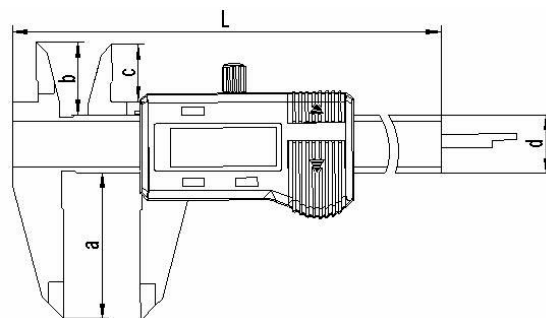
Functions of prompt transference of the di

Resolutions of : 0.01mm/0.0005".

Power: 1.55v SR44w(silver oxide cell) batt

Measuring system: Digital capacitive mea

With RS232 output.



L	a	b	c	d
234	40	20	16	16