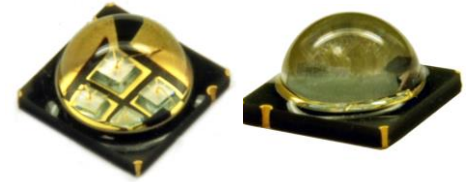


High Efficacy  
365nm UV LED Emitter  
**LZ4-00U600**



### Key Features

- High Efficacy 365nm 11W UV LED
- Ultra-small foot print – 7.0mm x 7.0mm
- Surface mount ceramic package with integrated glass lens
- Very low Thermal Resistance (1.1°C/W)
- Individually addressable die
- Electrically neutral thermal path
- Highest Radiant Flux density
- JEDEC Level 1 for Moisture Sensitivity Level
- Lead (Pb) free and RoHS compliant
- Reflow solderable (up to 6 cycles)
- Emitter available on Standard and Serially connected MCPCB (optional)

### Typical Applications

- Curing
- Sterilization
- Medical
- Currency Verification
- Fluorescence Microscopy
- Inspection of dyes, rodent and animal contamination,
- Leak detection
- Forensics

### Description

The LZ4-00U600 UV LED emitter provides superior radiometric power in the wavelength range specifically required for applications like curing, sterilization, currency verification, and various medical applications. With a 7.0mm x 7.0mm ultra-small footprint, this package provides exceptional optical power density. The patented design has unparalleled thermal and optical performance. The high quality materials used in the package are chosen to optimize light output, have excellent UV resistance, and minimize stresses which results in monumental reliability and radiant flux maintenance.



## Part number options

### Base part number

Part number	Description
LZ4-00U600-xxxx	LZ4 emitter
LZ4-40U600-xxxx	LZ4 emitter on Standard Star 1 channel MCPCB

### Bin kit option codes

U6, Ultra-Violet (365nm)			
Kit number suffix	Min flux Bin	Color Bin Range	Description
0000	L	U0 - U1	full distribution flux; full distribution wavelength
00U0	L	U0 - U0	full distribution flux; wavelength U0 bin only
00U1	L	U1 - U1	full distribution flux; wavelength U1bin only

Notes:

1. Default bin kit option is -0000

## Radiant Flux Bins

Table 1:

<b>Bin Code</b>	<b>Minimum Radiant Flux (<math>\Phi</math>) @ <math>I_F = 700\text{mA}</math> <sup>[1,2]</sup> (w)</b>	<b>Maximum Radiant Flux (<math>\Phi</math>) @ <math>I_F = 700\text{mA}</math> <sup>[1,2]</sup> (W)</b>
L	0.80	1.00
M	1.00	1.25
N	1.25	1.60
P	1.60	2.00
Q	2.00	2.40
R	2.40	3.00

Notes for Table 1:

1. Radiant flux performance guaranteed within published operating conditions. LED Engin maintains a tolerance of  $\pm 10\%$  on flux measurements.
2. Future products will have even higher levels of radiant flux performance. Contact LED Engin Sales for updated information.

## Peak Wavelength Bins

Table 2:

<b>Bin Code</b>	<b>Minimum Peak Wavelength (<math>\lambda_p</math>) @ <math>I_F = 700\text{mA}</math> <sup>[1]</sup> (nm)</b>	<b>Maximum Peak Wavelength (<math>\lambda_p</math>) @ <math>I_F = 700\text{mA}</math> <sup>[1]</sup> (nm)</b>
U0	365	370
U1	370	375

Notes for Table 2:

1. LED Engin maintains a tolerance of  $\pm 2.0\text{nm}$  on peak wavelength measurements.

## Forward Voltage Bins

Table 3:

<b>Bin Code</b>	<b>Minimum Forward Voltage (<math>V_F</math>) @ <math>I_F = 700\text{mA}</math> <sup>[1,2]</sup> (V)</b>	<b>Maximum Forward Voltage (<math>V_F</math>) @ <math>I_F = 700\text{mA}</math> <sup>[1,2]</sup> (V)</b>
0	14.72	19.52

Notes for Table 3:

1. Forward Voltage is binned with all four LED dice connected in series.
2. LED Engin maintains a tolerance of  $\pm 0.16\text{V}$  for forward voltage measurements for the four LEDs.

## Absolute Maximum Ratings

Table 4:

Parameter	Symbol	Value	Unit
DC Forward Current at $T_{jmax}=100^{\circ}\text{C}^{[1]}$	$I_F$	700	mA
Peak Pulsed Forward Current <sup>[2]</sup>	$I_{FP}$	850	mA
Reverse Voltage	$V_R$	See Note 3	V
Storage Temperature	$T_{stg}$	-40 ~ +150	$^{\circ}\text{C}$
Junction Temperature	$T_J$	100	$^{\circ}\text{C}$
Soldering Temperature <sup>[4]</sup>	$T_{sol}$	180	$^{\circ}\text{C}$
Allowable Reflow Cycles		6	
ESD Sensitivity <sup>[5]</sup>		> 2,000 V HBM Class 2 JESD22-A114-D	

Notes for Table 4:

- Maximum DC forward current is determined by the overall thermal resistance and ambient temperature. Follow the curves in Figure 10 for current derating.
- Pulse forward current conditions: Pulse Width  $\leq 10\text{msec}$  and Duty Cycle  $\leq 10\%$ .
- LEDs are not designed to be reverse biased.
- Use low temperature solders. LED Engin recommends 58Bi-42Sn (wt.%) Solder. See Reflow Soldering Profile Figure 3.
- LED Engin recommends taking reasonable precautions towards possible ESD damages and handling the LZ4-00U600 in an electrostatic protected area (EPA). An EPA may be adequately protected by ESD controls as outlined in ANSI/ESD S6.1.

## Optical Characteristics @ $T_C = 25^{\circ}\text{C}$

Table 5:

Parameter	Symbol	Typical	Unit
Radiant Flux (@ $I_F = 700\text{mA}$ )	$\Phi$	1.80	W
Peak Wavelength <sup>[1]</sup>	$\lambda_p$	365	nm
Viewing Angle <sup>[2]</sup>	$2\theta_{1/2}$	115	Degrees
Total Included Angle <sup>[3]</sup>	$\theta_{0.9}$	175	Degrees

Notes for Table 5:

- When operating the UV LED, observe IEC 60825-1 class 3B rating. Avoid exposure to the beam.
- Viewing Angle is the off axis angle from emitter centerline where the radiant power is  $1/2$  of the peak value.
- Total Included Angle is the total angle that includes 90% of the total radiant flux.

## Electrical Characteristics @ $T_C = 25^{\circ}\text{C}$

Table 6:

Parameter	Symbol	Typical		Unit
		1 Die	4 Dice	
Forward Voltage (@ $I_F = 700\text{mA}$ )	$V_F$	4.1	16.4	V
Temperature Coefficient of Forward Voltage	$\Delta V_F/\Delta T_J$	-14.8		mV/ $^{\circ}\text{C}$
Thermal Resistance (Junction to Case)	$RO_{J-C}$	1.1		$^{\circ}\text{C}/\text{W}$

## IPC IPC/JEDEC Moisture Sensitivity Level

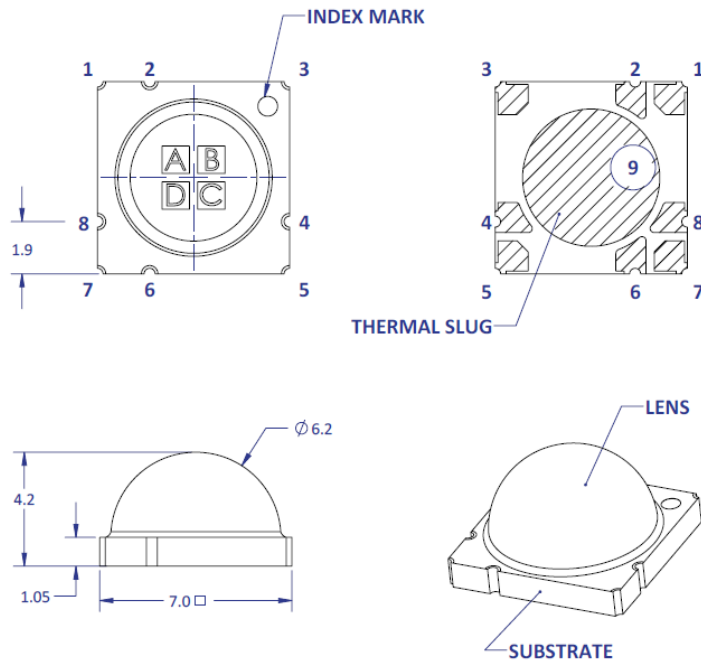
Table 7 - IPC/JEDEC J-STD-20D.1 MSL Classification:

Level	Soak Requirements					
	Floor Life		Standard		Accelerated	
	Time	Conditions	Time (hrs)	Conditions	Time (hrs)	Conditions
1	Unlimited	≤ 30°C/ 85% RH	168 +5/-0	85°C/ 85% RH	n/a	n/a

Notes for Table 7:

1. The standard soak time includes a default value of 24 hours for semiconductor manufacturer's exposure time (MET) between bake and bag and includes the maximum time allowed out of the bag at the distributor's facility.

## Mechanical Dimensions (mm)



Pin Out		
Pad	Die	Function
1	A	Anode
2	A	Cathode
3	B	Anode
4	B	Cathode
5	C	Anode
6	C	Cathode
7	D	Anode
8	D	Cathode
9 <sup>[2]</sup>	n/a	Thermal

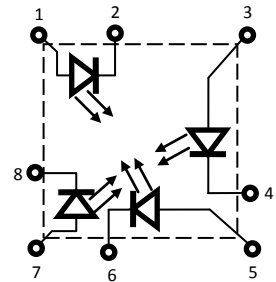


Figure 1: Package outline drawing.

Notes for Figure 1:

1. Unless otherwise noted, the tolerance =  $\pm 0.20$  mm.
2. Thermal contact, Pad 9, is electrically neutral.

## Recommended Solder Pad Layout (mm)

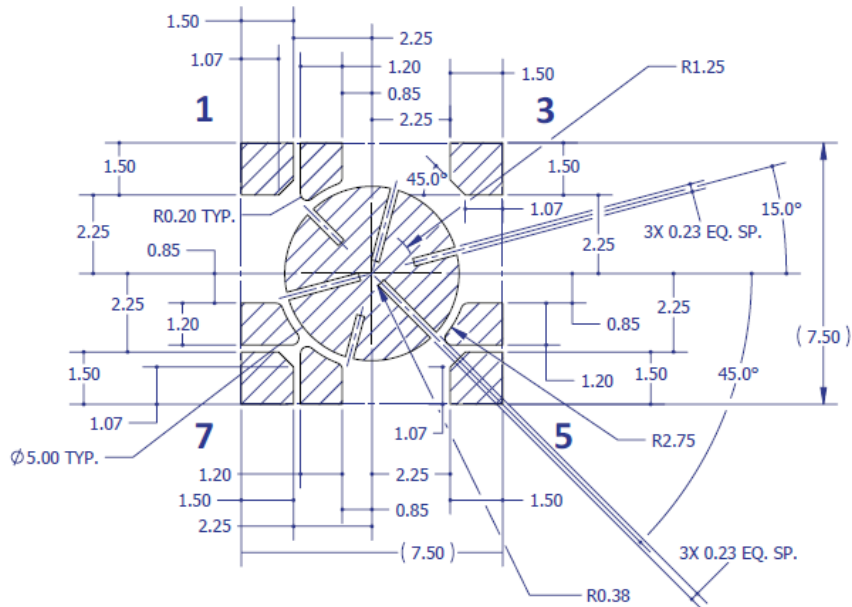


Figure 2a: Recommended solder pad layout for anode, cathode, and thermal pad.

Note for Figure 2a:

1. Unless otherwise noted, the tolerance =  $\pm 0.20$  mm.
2. This pad layout is "patent pending".



### Typical Radiation Pattern

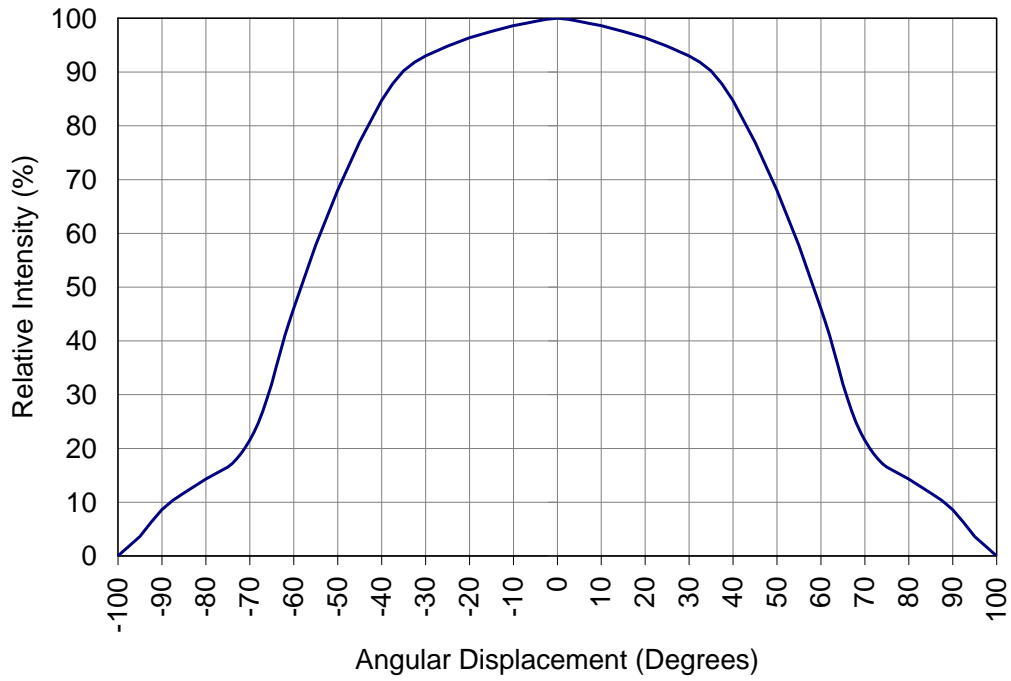


Figure 4: Typical representative spatial radiation pattern.

### Typical Relative Spectral Power Distribution

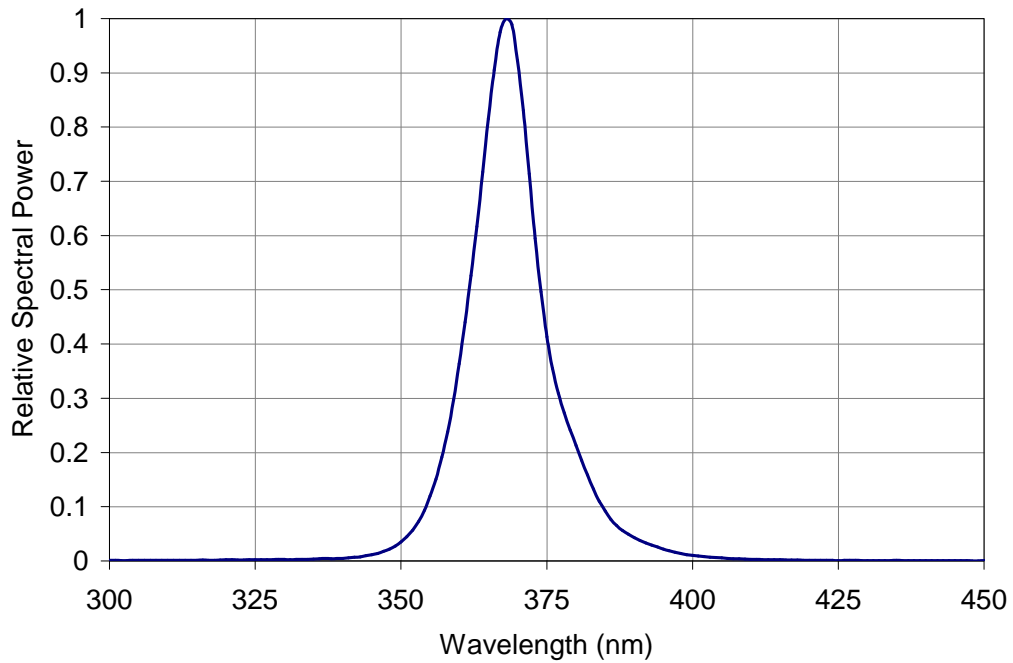


Figure 5: Typical relative spectral power vs. wavelength @ T<sub>C</sub> = 25°C.

### Typical Peak Wavelength Shift over Temperature

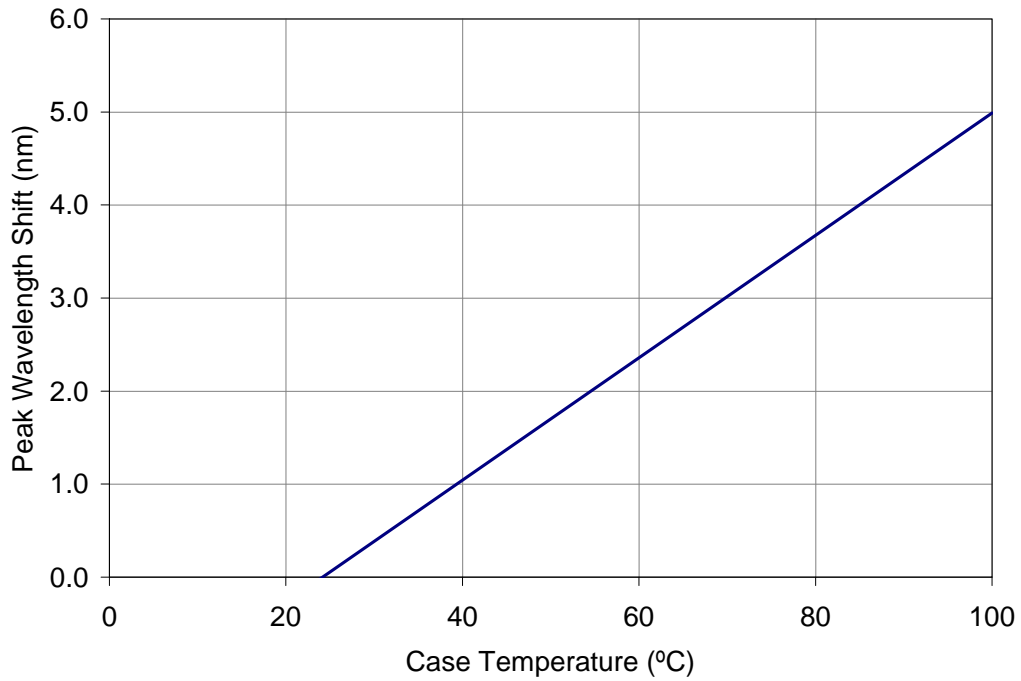


Figure 6: Typical peak wavelength shift vs. case temperature.

### Typical Normalized Radiant Flux

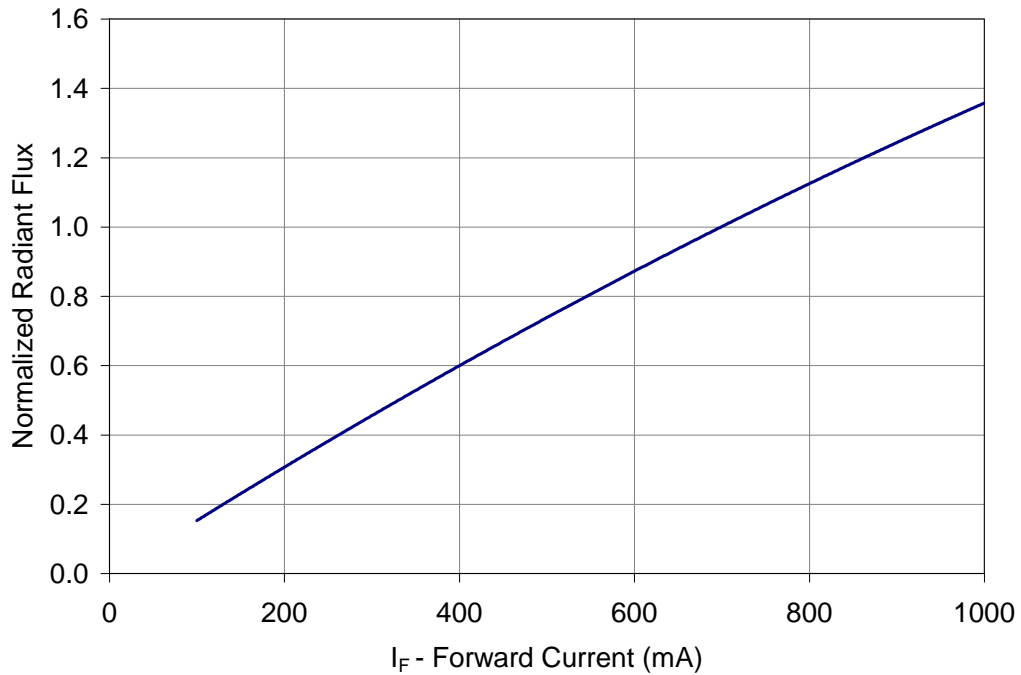


Figure 7: Typical normalized radiant flux vs. forward current @ T<sub>c</sub> = 25°C.

### Typical Normalized Radiant Flux over Temperature

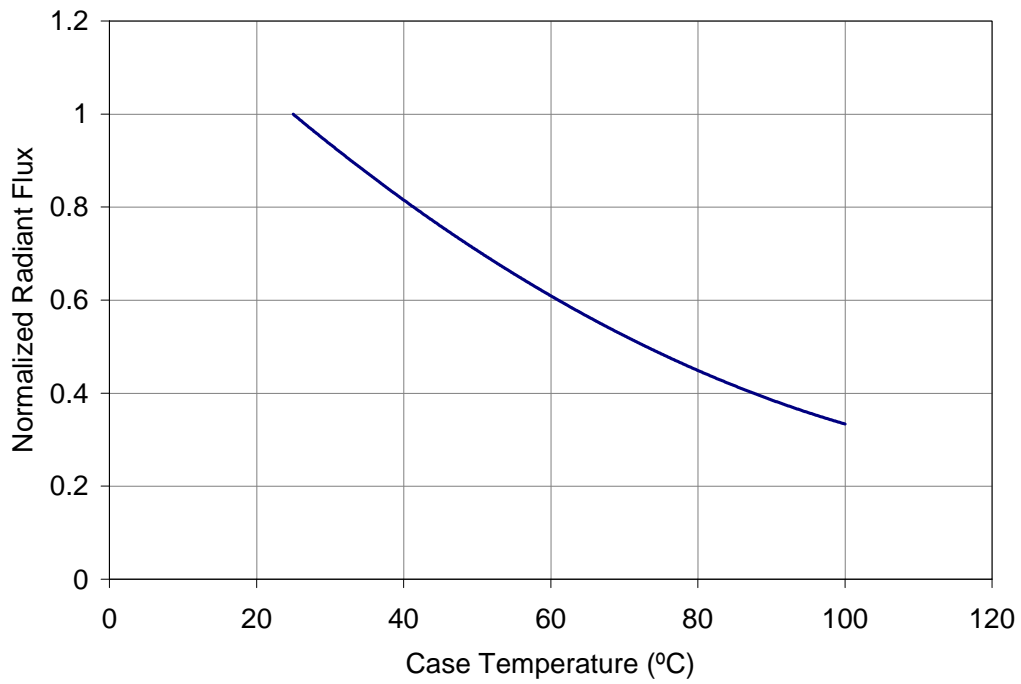


Figure 8: Typical normalized radiant flux vs. case temperature.

### Typical Forward Current Characteristics

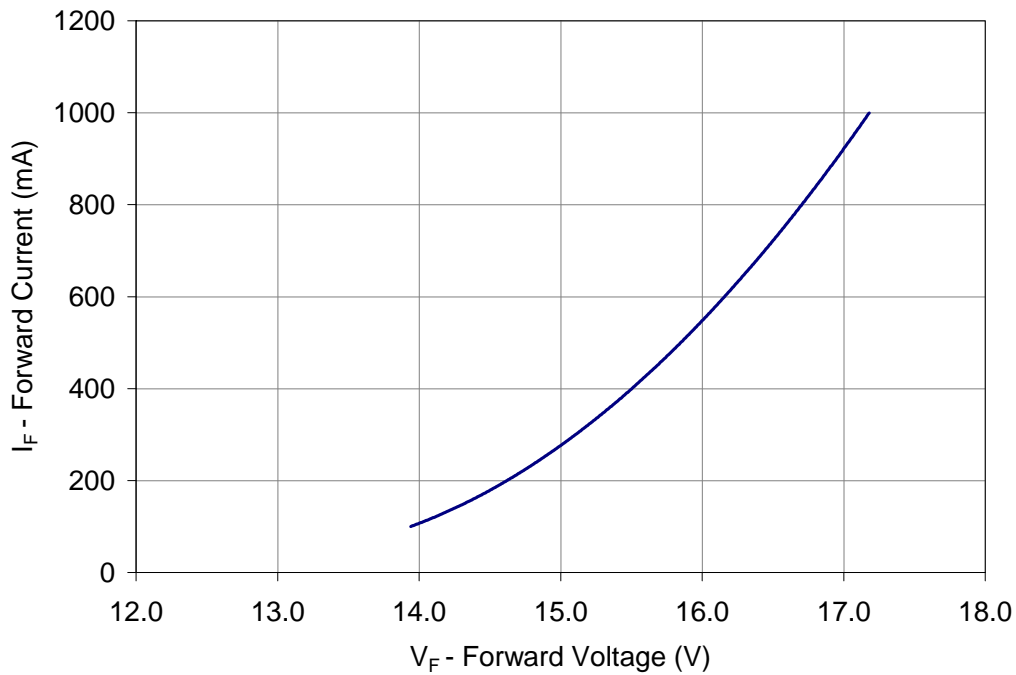


Figure 9: Typical forward current vs. forward voltage @ T<sub>c</sub> = at 25°C.

## Current De-rating

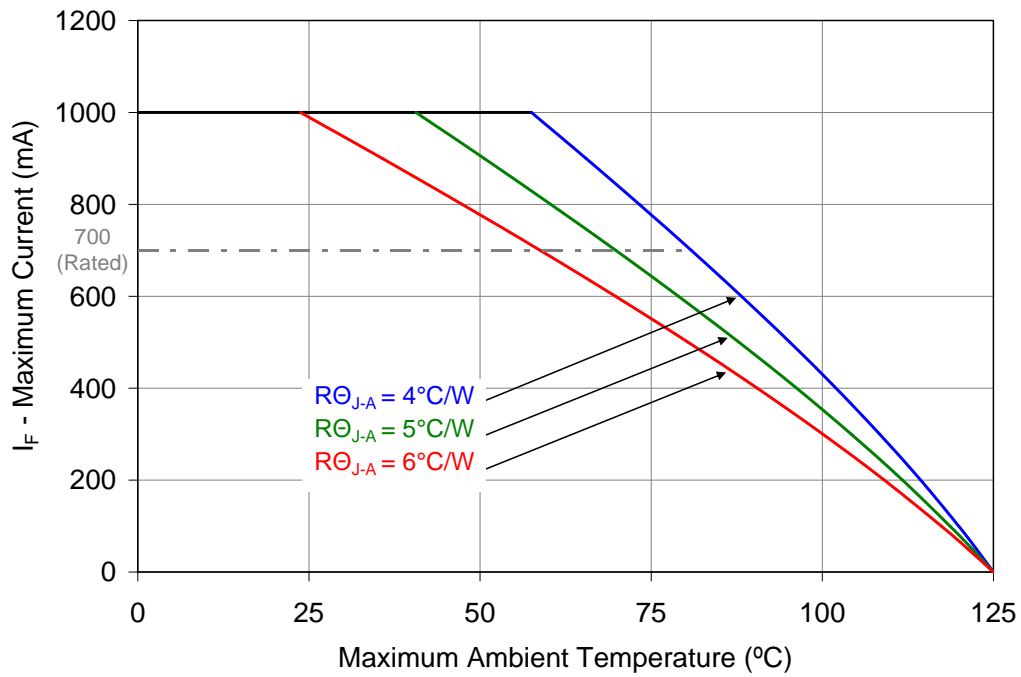


Figure 10: Maximum forward current vs. ambient temperature based on  $T_{J(\text{MAX})} = 125^{\circ}\text{C}$ .

Notes for Figure 10:

1.  $R\theta_{J-C}$  [Junction to Case Thermal Resistance] for the LZ4-00UA00 is typically  $1.1^{\circ}\text{C/W}$ .
2.  $R\theta_{J-A}$  [Junction to Ambient Thermal Resistance] =  $R\theta_{J-C} + R\theta_{C-A}$  [Case to Ambient Thermal Resistance].

## Emitter Tape and Reel Specifications (mm)

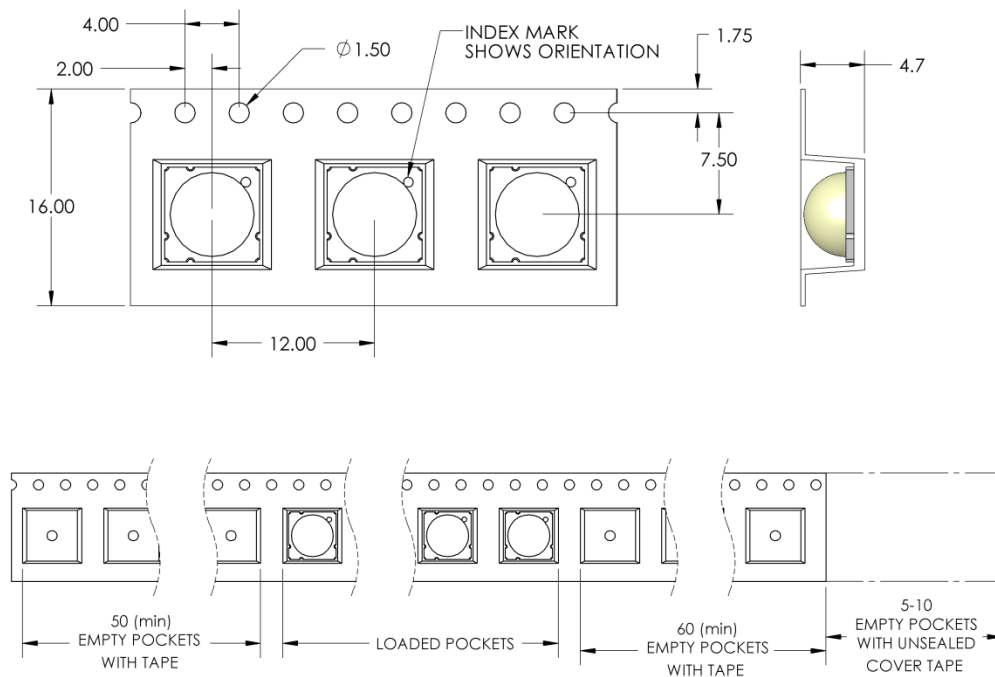


Figure 11: Emitter carrier tape specifications (mm).

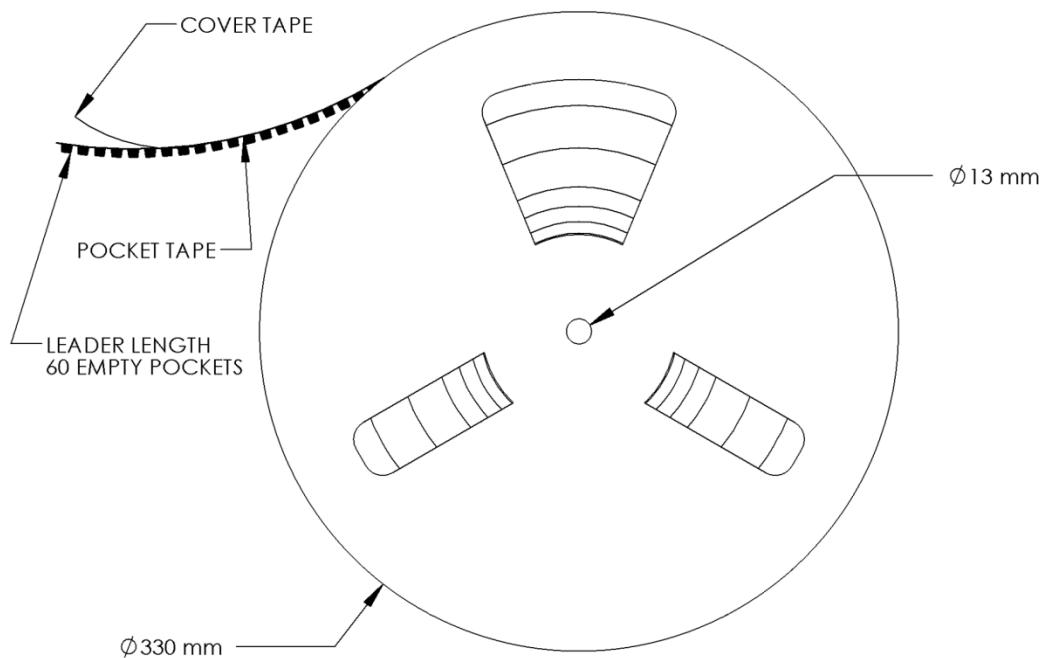


Figure 12: Emitter Reel specifications (mm).

**Notes:**

1. Packaging contains UV caution labels. Avoid exposure to the beam and wear appropriate protective eyewear when operating the UV LED.

# LZ4 MCPCB Family

Part number	Type of MCPCB	Diameter (mm)	Emitter + MCPCB Thermal Resistance (°C /W)	Typical V <sub>f</sub> (V)	Typical I <sub>f</sub> (mA)
LZ4-4xxxxxx	1-channel	19.9	1.1 + 1.1 = 2.2	16.4	700

## Mechanical Mounting of MCPCB

- MCPCB bending should be avoided as it will cause mechanical stress on the emitter, which could lead to substrate cracking and subsequently LED dies cracking.
- To avoid MCPCB bending:
  - Special attention needs to be paid to the flatness of the heat sink surface and the torque on the screws.
  - Care must be taken when securing the board to the heat sink. This can be done by tightening three M3 screws (or #4-40) in steps and not all the way through at once. Using fewer than three screws will increase the likelihood of board bending.
  - It is recommended to always use plastics washers in combinations with the three screws.
  - If non-taped holes are used with self-tapping screws, it is advised to back out the screws slightly after tightening (with controlled torque) and then re-tighten the screws again.

## Thermal interface material

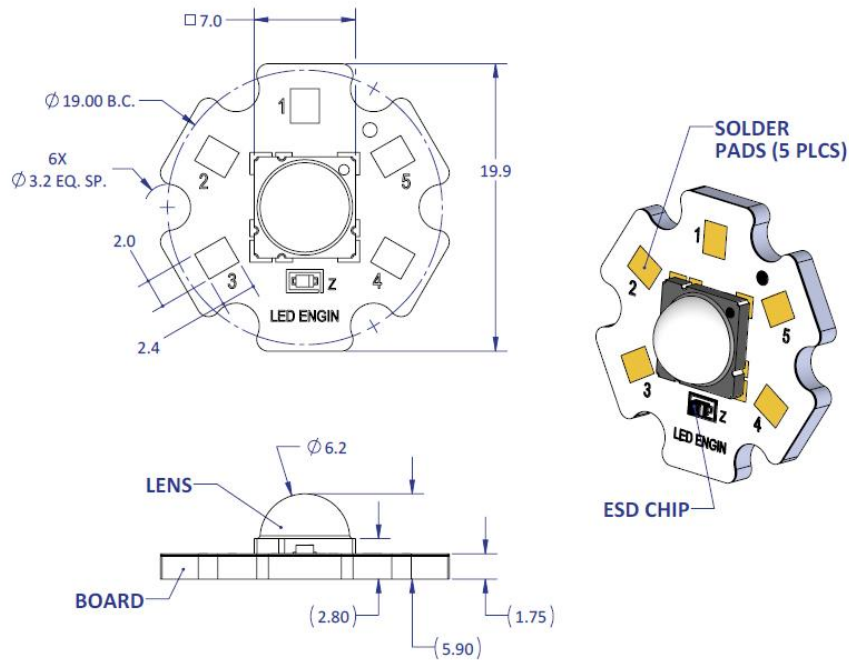
- To properly transfer heat from LED emitter to heat sink, a thermally conductive material is required when mounting the MCPCB on to the heat sink.
- There are several varieties of such material: thermal paste, thermal pads, phase change materials and thermal epoxies. An example of such material is Electrolube EHTC.
- It is critical to verify the material's thermal resistance to be sufficient for the selected emitter and its operating conditions.

## Wire soldering

- To ease soldering wire to MCPCB process, it is advised to preheat the MCPCB on a hot plate of 100°C. Subsequently, apply the solder and additional heat from the solder iron will initiate a good solder reflow. It is recommended to use a solder iron of more than 60W.
- For UV 365nm emitters (LZx-00U600), it is recommended to use low temperature, lead-free, no-clean solder. For example: Sn42/Bi58 (wt.%) solder from Indium Corp (Indalloy #281).

# LZ4-4xxxxx

## 1 channel, Standard Star MCPCB (1x4) Dimensions (mm)



**Notes:**

- Unless otherwise noted, the tolerance =  $\pm 0.2$  mm.
- Slots in MCPCB are for M3 or #4-40 mounting screws.
- LED Engin recommends plastic washers to electrically insulate screws from solder pads and electrical traces.
- Electrical connection pads on MCPCB are labeled “+” for Anode and “-” for Cathode
- LED Engin recommends thermal interface material when attaching the MCPCB to a heatsink
- The thermal resistance of the MCPCB is: R $\theta$ C-B 1.1°C/W

## Components used

MCPCB: HT04503 (Bergquist)  
 ESD chips: BZX585-C30 (NXP, for 4 LED dies in series)

Pad layout			
Ch.	MCPCB Pad	String/die	Function
1	1, 2, 3	1/ABCD	Cathode -
	4, 5		Anode +

## Company Information

LED Engin, Inc., based in California's Silicon Valley, specializes in ultra-bright, ultra compact solid state lighting solutions allowing lighting designers & engineers the freedom to create uncompromised yet energy efficient lighting experiences. The LuxiGen™ Platform — an emitter and lens combination or integrated module solution, delivers superior flexibility in light output, ranging from 3W to 90W, a wide spectrum of available colors, including whites, multi-color and UV, and the ability to deliver upwards of 5,000 high quality lumens to a target. The small size combined with powerful output allows for a previously unobtainable freedom of design wherever high-flux density, directional light is required. LED Engin's packaging technologies lead the industry with products that feature lowest thermal resistance, highest flux density and consummate reliability, enabling compact and efficient solid state lighting solutions.

LED Engin is committed to providing products that conserve natural resources and reduce greenhouse emissions.

LED Engin reserves the right to make changes to improve performance without notice.

Please contact [sales@ledengin.com](mailto:sales@ledengin.com) or (408) 922-7200 for more information.

# Mouser Electronics

Authorized Distributor

Click to View Pricing, Inventory, Delivery & Lifecycle Information:

[LED Engin:](#)

[LZ4-00U600](#) [LZ4-40U600](#) [LZ4-40U600-L000](#)