

# Product Information



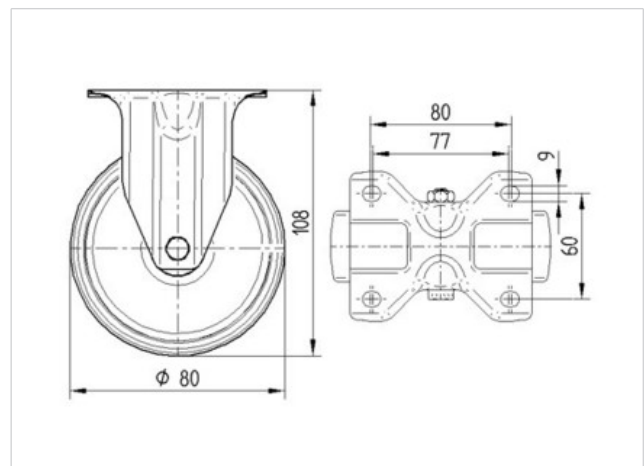
## 8478BOG080P62

EAN 4031582347258

Fixed castor, Fork made of Stainless Steel, wheel axle with nut, plate fitting.

Wheel made of heat resisting synthetic material, self-lubricating bushing

Technical Data	
Wheel diameter	80 mm
Width of Tread	35 mm
Size of Plate	100 x 85 mm
Plate hole centres	80/77 x 60 mm
Plate hole	9 mm
Overall height	108 mm
Temperature	- 40 / + 280 °C
Standard	EN 12532
Weight	0.472 kg
Hardness of tread	D 85 Shore
Load capacity	100 kg
Load capacity (static)	200 kg



Roll performance	+	+	+	+	+
Movement noise	+	+	+	+	+
Attrition	+	+	+	+	+
Corrosion resistance	+	+	+	+	+



**8478BOG080P62**

EAN 4031582347258

