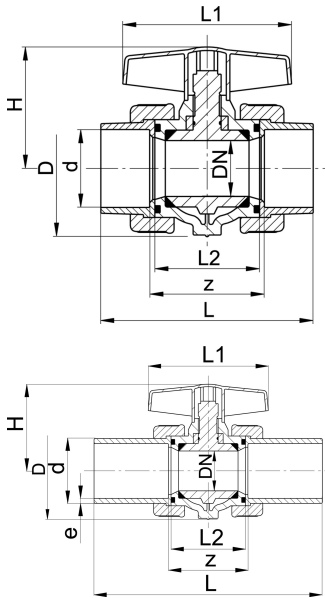




Ball valve coloro type 355 PVC-U With solvent cement sockets metric

Model:

- Monobloc structure
- Lever blue
- Ball seal HD-PE / lubricant compound
- Only bulk pack GP are delivered



d [mm]	DN [mm]	PN [bar]	EPDM code	SP	weight [kg]	D [mm]	H [mm]	L [mm]	L1 [mm]	L2 [mm]	z [mm]	closest inch [inch]
20	15	16	161 355 002	12	0.128	49	51	92	78	54	60	½
25	20	16	161 355 003	12	0.182	54	58	104	92	60	66	¾
32	25	16	161 355 004	12	0.242	64	63	113	92	63	69	1
40	32	16	161 355 005	6	0.429	78	77	132	116	74	80	1 ¼
50	40	16	161 355 006	6	0.576	90	83	147	116	79	85	1 ½
63	50	16	161 355 007	6	1.001	112	102	175	140	91	97	2

The technical data are not binding and not expressly warranted characteristics of the goods. They are subject to change. Our General Conditions of Sale apply.

Georg Fischer Piping Systems Ltd, Postfach, CH-8201 Schaffhausen/Switzerland Phone +41 -(0)52-631 1111 e-mail: info.ps@georgfischer.com Internet: <http://www.piping.georgfischer.com>