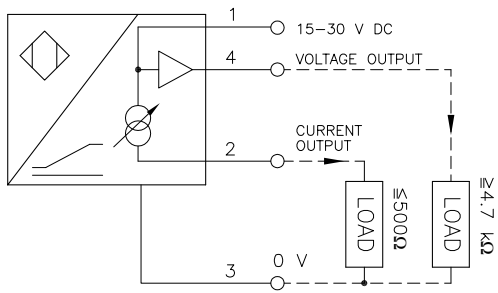
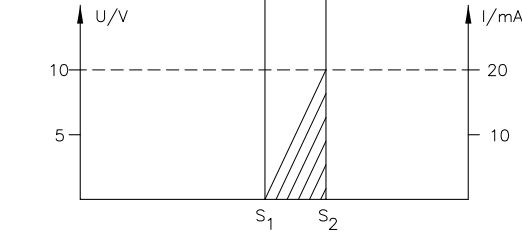
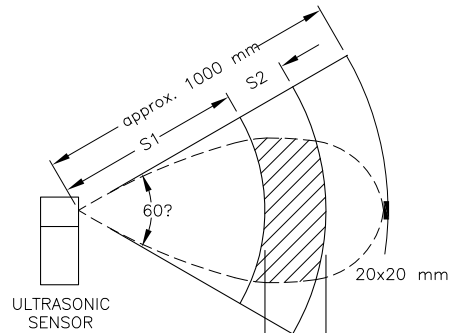


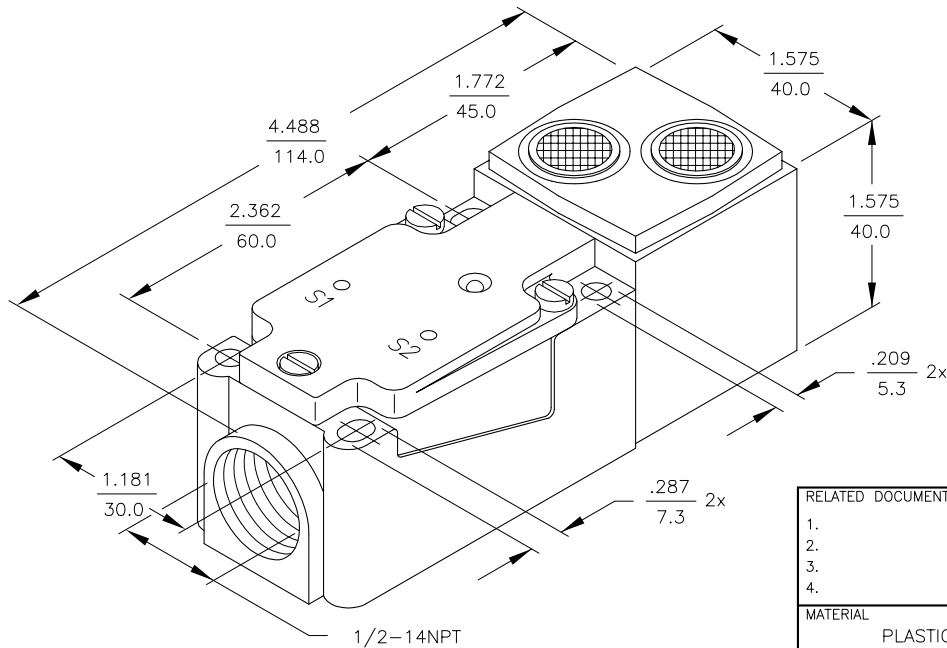
WIRING DIAGRAM



OUTPUT: LIUX



SONIC CONE, SENSING RANGE



SPECIFICATIONS

OPERATING VOLTAGE	15-30 VDC
RIPPLE	≤ 10%
SHORT-CIRCUIT PROTECTED	YES
NO-LOAD CURRENT	<20 mA
OPERATING TEMPERATURE	0°C to +70°C (+32°F to +158°F)
TEMPERATURE DRIFT	0.4%/K (AIR EFFECT)
PROTECTION CLASS	IP 40 FOR THE SENSOR HEAD IP 65 FOR THE TERMINAL CHAMBER
TIME DELAY BEFORE AVAILABILITY	≤ 150 ms
LED FUNCTION	RED STEADY: POWER ON RED FLASHING: OBJECT WITHIN OPERATING WINDOW
SENSING RANGE	ADJUSTABLE IN DEPTH AND DISTANCE FROM DEVICE
SENSING RANGE SECTOR	0.05-1.0 M (REFERS TO A 2x2 cm AREA)
AXIAL DEPTH OF SENSING RANGE	CONTINUOUSLY ADJUSTABLE BETWEEN 0.2 M AND 1.0 M
MAXIMUM INCLINATION OF 2x2 cm TARGET TO THE AXIS	≤ 15°
SONIC CONE ANGLE	60°
SWITCHING FREQUENCY	≤ 3 Hz RADIAL APPROACH ≤ 1 Hz AXIAL APPROACH
IMPULSE FREQUENCY	20 Hz
TRANSMITTER FREQUENCY	40 kHz
VOLTAGE OUTPUT	0-10 V IN 256 INCREMENTS
LOAD IMPEDENCE	≥ 4.7 kΩ
CURRENT OUTPUT	0-20 mA IN 256 INCREMENTS
LOAD IMPEDENCE	≤ 500 Ω BOTH OUTPUTS CAN BE USED CONCURRENTLY
LINEARITY TOLERANCE	± 3% OF FINAL VALUE
ACCURACY OF RECURRENCE	± 1 INCREMENT EQUALS ± 0.04 V
REPEATABILITY	± 5 mm

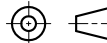
RELATED DOCUMENTS

- 1.
- 2.
- 3.
- 4.

MATERIAL
PLASTIC HOUSING

FINISH

3RD ANGLE PROJECTION



ALL DIMENSIONS DISPLAYED ON THIS DRAWING ARE FOR REFERENCE ONLY

CONTACT TURCK FOR MORE INFORMATION

THIS DRAWING IS PROPERTY OF TURCK INC. USE OF THIS DOCUMENT WITHOUT WRITTEN PERMISSION IS PROHIBITED.

DRFT GMB
DSGN

UNIT OF MEASUREMENT
INCH [MILLIMETER]

DO NOT SCALE THIS DRAWING

TURCK INC
High Technology Sensors and Automation Controls

3000 CAMPUS DRIVE
MINNEAPOLIS, MN 55441
1-800-544-7769
(763) 553-7300
(763) 553-0708 fax
turck.com

DATE 9/23/88
SCALE NONE

DESCRIPTION
RU100-CP40-LIUX

IDENTIFICATION NO. M1534800
REV B

B	UPDATE TO CURRENT TITLEBLOCK	RDS	07/16/02	5504
REV	DESCRIPTION	BY	DATE	ECO NO.