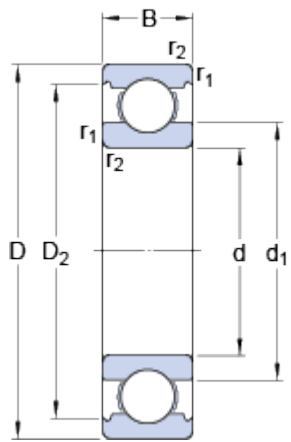


6203

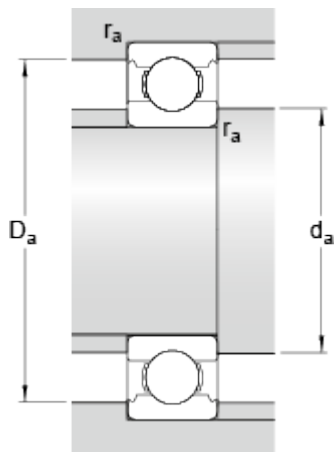
SKF Explorer

Dimensions



d		17	mm
D		40	mm
B		12	mm
d ₁	≈	24.5	mm
D ₂	≈	34.98	mm
r _{1,2}	min.	0.6	mm

Abutment dimensions



d _a	min.	21.2	mm
D _a	max.	35.8	mm
r _a	max.	0.6	mm

Calculation data

Basic dynamic load rating	C	10	kN
Basic static load rating	C ₀	4.8	kN
Fatigue load limit	P _u	0.2	kN
Reference speed		38000	r/min
Limiting speed		24000	r/min
Calculation factor	k _r	0.025	
Calculation factor	f ₀	13	

Mass

Mass bearing		0.0646	kg
--------------	--	--------	----