



A8

TYPICAL APPLICATIONS	Small appliances
FUNCTIONS	■ DPST, illuminated or not
CYCLE No.	50.000
CUT OUT	19x13 mm
AMBIENT TEMPERATURE	125°
GWT	850 °C
GWT NO FLAME (<2sec)	750 °C on demand

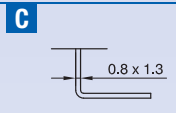
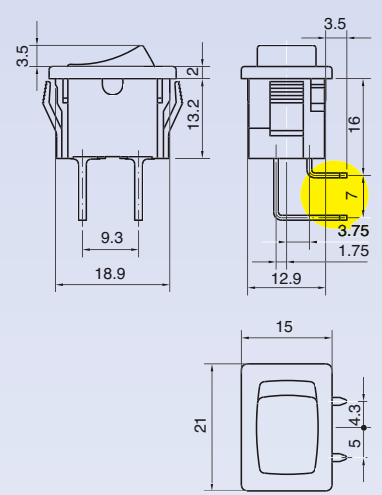
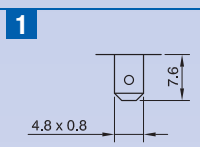
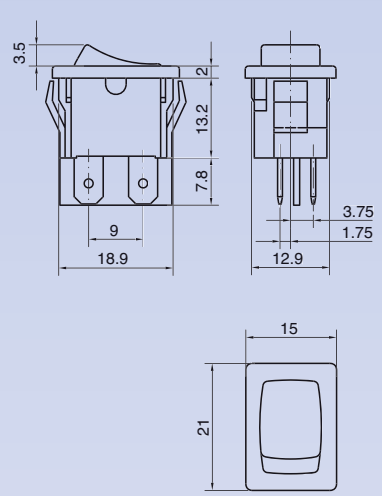


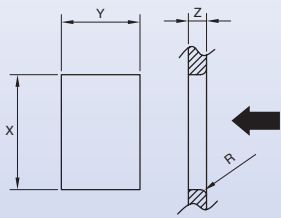
A **8**

DRAWING

?

TERMINAL





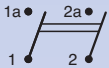
Z	Y	X
0,7 ... 1,25	13,0 ±0,1	19,0 ±0,2
1,25 ... 2,0	13,0 ±0,1	19,3 ±0,2
2,0 ... 3,0	13,0 ±0,1	19,6 ±0,2

DRAWING TERMINAL	FUNCTION	RATING	BODY COLOUR	ROCKER COLOUR	MARKING COLOUR	MARKING
A	8					0 0 0

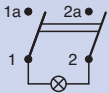
?	?	?	?	?	?	?	0	0	0
---	---	---	---	---	---	---	---	---	---

FUNCTION

2



8



RATING

3

10 (4) A / 250 VAC
6 (4) A / 250 VAC - 5E4
T125 °C
EN 61058

10 A - 125 / 250 VAC
1/3 HP - 125 VAC
1/2 HP - 250 VAC
T65 °C
UL 1054
CSA C22.2

BODY COLOUR

1



black

2



white

X

?

custom

ROCKER COLOUR

1



black

2



white

8



green

ILLUMINATED ✨

G



red

H



orange

E



green

L



white

X

?

custom

MARKING COLOUR

0



none

1



black

2



white

5



grey

7



light blue

8



red

9



orange

X

?

custom

MARKING

0



1



4



6



R



X

