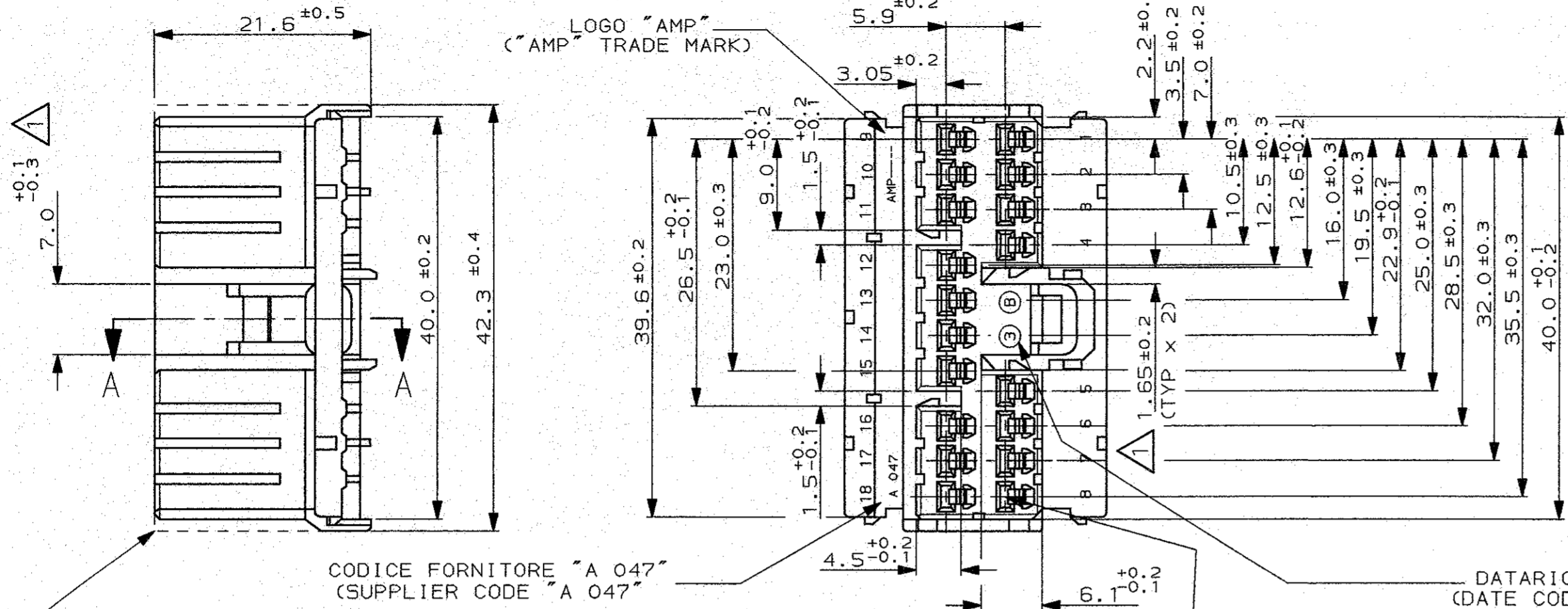


DWG. NO. C-282368

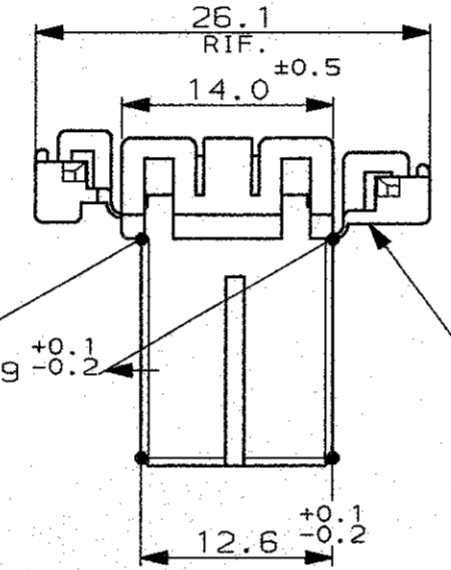
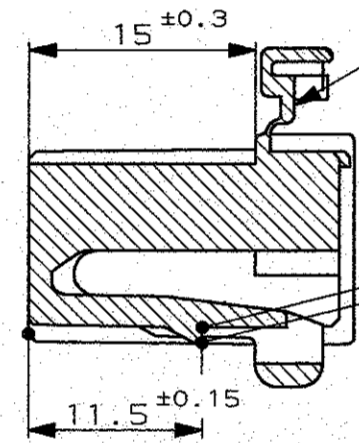
USED ON

SCALA NON IMPEGNATIVA (DO NOT SCALE)  
 DIMENSIONI IN (DIMENSIONS IN) mm  
**METRIC**  
 PROIEZIONE EUROPEA (EUROPEAN PROJECTION)



- 1 QUOTA VALIDA SOLO PER VERSIONE 282368-1 (VALID DIMENSION ONLY FOR 282368-1 VERSION)
- 2 QUOTA VALIDA PER VERSIONI POLARIZZATE P/N 282368-2, -3, -4 (VALID DIMENSION ONLY FOR P/N 282368-2, -3, -4 VERSION)
- 3) PER RAPPRESENTAZIONE DIMA CONTROPARTE VEDERE FOGLIO 2 DI 2. (FOR COUNTERPART DETAIL SEE SHEET 2 OF 2)

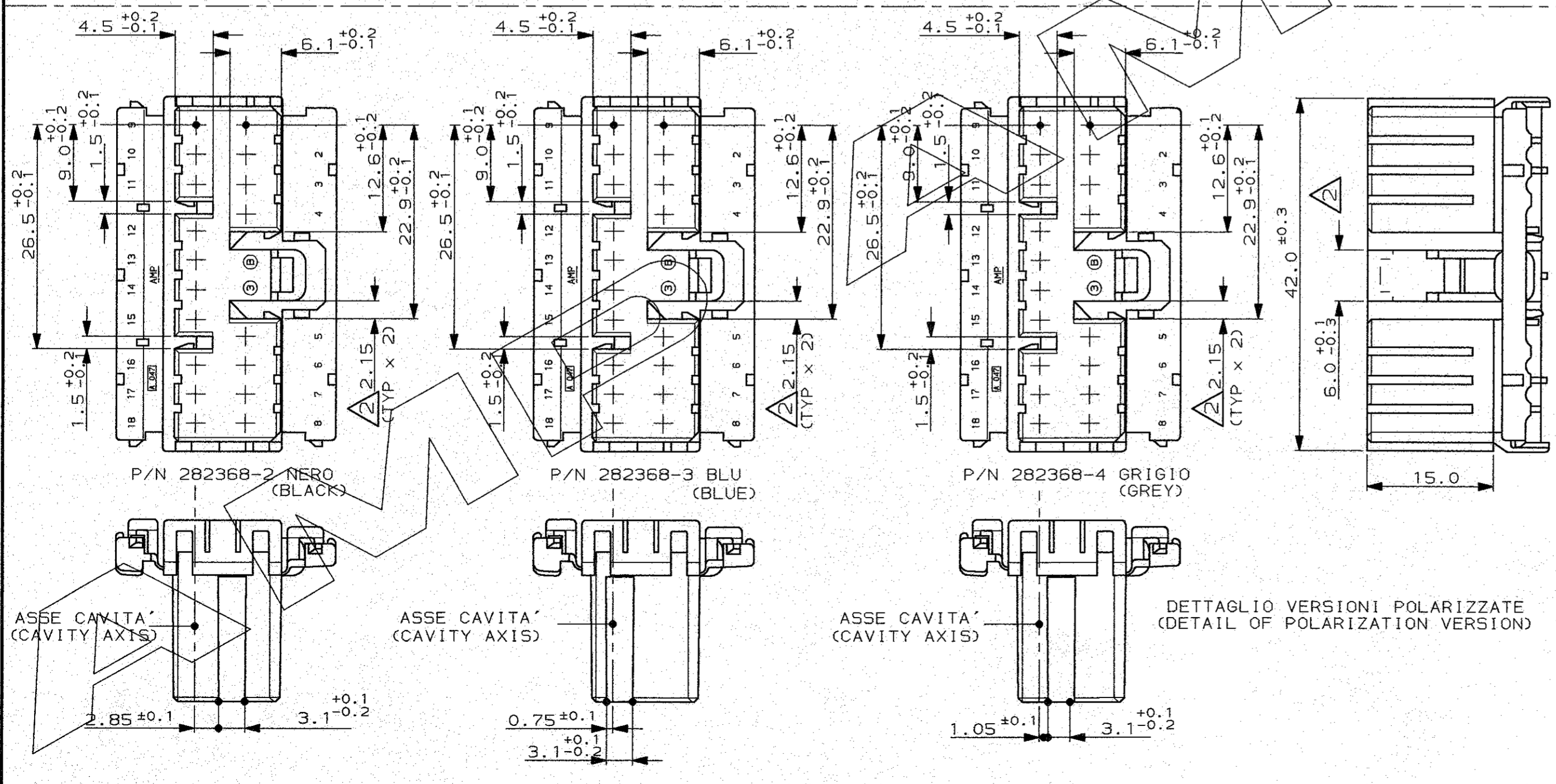
PER VERSIONI POLARIZZATE VEDERE DETTAGLIO (SEE DETAIL FOR POLARIZATION VERSION)



CAVITA' ADATTA PER CONTATTI CON CODICE FIAT: (TYP. CAVITY FOR CONTACT WITH FIAT NO.)

NUM. DI CAVITA' (CIRCUIT. IDENTIF. NO.)

THIS INFORMATION IS CONFIDENTIAL AND IS DISCLOSED TO YOU ON CONDITION THAT NO FURTHER DISCLOSURE IS MADE BY YOU TO OTHER THAN AMP PERSONNEL WITHOUT WRITTEN AUTHORIZATION FROM AMP ITALIA S.P.A.



NON DISPONIBILE (NOT AVAILABLE)	282372-4	GRIGIO (GREY)	PBT UNFILLED) (PBT UNFILLED)	282368-4
NON DISPONIBILE (NOT AVAILABLE)	282372-3	BLU (BLUE)		282368-3
NON DISPONIBILE (NOT AVAILABLE)	282372-2	NERO (BLACK)		282368-2
282631-1 VERS. ORIZZONTALE (HORIZONTAL VERS.)	282372-1	BIANCO (NATURAL)		282368-1
CONTROP. P.C.B. (P.C.B. HEADER ASSY)	PORTAMASCHI VOLANTE (CAP HOUSING)	COLORE (COLOUR)	MATERIALE (MATERIAL)	NUMERO (PART NUMBER)
CUSTOMER DWG. FOR REFERENCE ONLY		DISEGNO PER CLIENTE SOLO PER RIFERIMENTO		
THIS DRAWING IS UNPUBLISHED		RELEASE FOR PUBLICATION		
© COPYRIGHT 1997 BY AMP INCORPORATED, HARRISBURG, PA. ALL INTERNATIONAL RIGHTS RESERVED. AMP PRODUCTS MAY BE COVERED BY U.S. AND FOREIGN PATENT AND/OR PATENT PENDING		19		
TOLLERANZE, SE NON DIVERSAMENTE SPECIFICATO (TOLERANCES, UNLESS OTHERWISE SPECIFIED)	DIAM. ISOLANTE (INS. DIA. RANGE)	RANGO FILO (WIRE RANGE)	SCALA (SCALE)	
± 0.3			2:1	
ANGOLI (ANGLES)	± 2°			
B RELEASED AND REVISED FOR ET00-0249-97	M.P. 97	DIS. M. PALMA (OR.) 18 JUN '97	DESCRIZIONE (DESCRIPTION) 070 SERIES MULTILOCK* CONN.PLUG HOUSING 18 POSITION (PORTAFEMMINA) DOUBLE ROW	
2 AGG. CODICE FIAT	R.M. 93	C. TARTARI (CHK) 18 JUN '97	LOC. SIZE NUMERO (DWG NO)	
1 AGGIORNATO	R.M. 93		REV. FOGLIO (SHEET)	
REV. (REVISION)	DIS. DATA (DR) (DATE)	APP. (APP.)	I A2 C-282368 B 1 DI 2	

