

MOLDED BOX CONSTRUCTION, SUPPRESSION CAPACITOR, RADIAL LEAD

FEATURES

- UL, cUL, VDE, CQC, CE, ENEC APPROVALS*
- "X2" SAFETY CAP CLASSIFICATION FOR USE IN ACROSS-THE-LINE APPLICATIONS
- METALLIZED POLYPROPYLENE FILM
- NON-INDUCTIVE & SELF-HEALING CONSTRUCTION
- RoHS COMPLIANT & Pb-FREE FINISH
- MOLDED CASE MEETS UL-94V-0 FLAMMABILITY TEST

**NEW
EXPANDED
VALUE RANGE**



SPECIFICATIONS (CLASS X2)

Operating Temperature	-40°C ~ +110°C
Rated Voltage	250VAC/275VAC/300VAC/310VAC
Capacitance Range	0.001μF ~ 2.2μF
Capacitance Tolerance	±10% (K), ±20% (M)
Insulation Resistance (min.)	IR ≥ 5,000 Megohm
Dissipation Factor	< 0.1% max. @ 1KHz/25°C
Dielectric Strength	2000VDC (1414VAC rms) for 1 second

* Values 0.001μF ~ 1.0μF

250 VAC for UL & cUL
275 VAC for UL, cUL, VDE, CQC, CE & ENEC
310 VAC for UL & cUL

* Values 1.2μF ~ 2.2μF

250 VAC for UL & cUL
275 VAC for UL & cUL
310 VAC for UL & cUL

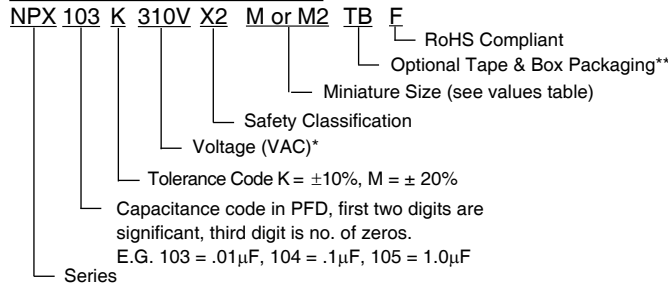
DV/DT RATINGS

Capacitance Value (μF)	DV/DT (V/μS)
0.001	1,000
0.0015	600
0.0022 ~ 0.0047	450
0.0068 ~ 0.022	300
0.033 ~ 0.047	200
0.068 ~ 1.0	150
1.2 ~ 2.2	100

0.001μF ~ 2.2μF meet the requirements of UL60384-14# Fixed Capacitors for Use in Electronic Equipment – Part 14: Sectional Specification: Fixed Capacitors for Electromagnetic Interference Suppression and Connection to the Supply Mains. CSA E60384-14/-1/IEC 60384-14/-1 Fixed Capacitors for Use in Electronic Equipment - Part 1: Generic Specification, CSA E60384-14:09-Fixed Capacitors for Use in Electronic Equipment – Part 14: Sectional Specification: Fixed Capacitors for Electromagnetic Interference Suppression and Connection to the Supply Mains.

0.001μF ~ 1.0μF meet the requirements of VDE and ENEC of EN132400, DIN EN60384-14 (VDE 0565 Teil 1-1); 2014-04;EN 60384-14; 2013-08 IEC 60384-14 (ed.4)
Value assignment range E12 according to DIN IEC 60063:1985-12 CQC of GB/T 14472-1998 and CE of EN132400:1994/IEC384-14 2nd 73/23/EEC/93/68/EEC.

PART NUMBER SYSTEM

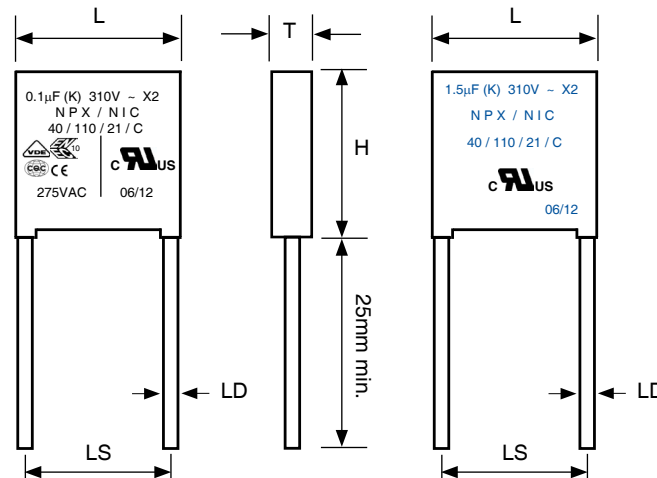


**Tape & Box available for values up to 0.12μF with a lead-space of 10mm and 15mm

MARKING

0.001μF ~ 1.0μF

1.2μF ~ 2.2μF



®

310V STANDARD VALUES AND CASE SIZE (mm)

Part Number	Cap. Value (μF)	Capacitance Code	L ±0.5	T ±0.5	H ±0.5	LS ±0.5 ^{#1}	LD ±0.08	Bulk Package Quantity	Tape & Box Quantity		
NPX102K310VX2F	0.001	102	13.0	5.0	11.0	10.0	0.6	500	500		
NPX122K310VX2F	0.0012	122	13.0	5.0	11.0			500	500		
NPX152K310VX2F	0.0015	152	13.0	5.0	11.0			500	500		
NPX182K310VX2F	0.0018	182	13.0	5.0	11.0			500	500		
NPX222K310VX2F	0.0022	222	13.0	5.0	11.0			500	500		
NPX272K310VX2F	0.0027	272	13.0	5.0	11.0			500	500		
NPX332K310VX2F	0.0033	332	13.0	5.0	11.0			500	500		
NPX392K310VX2F	0.0039	392	13.0	5.0	11.0			500	500		
NPX472K310VX2F	0.0047	472	13.0	5.0	11.0			500	500		
NPX562K310VX2F	0.0056	562	13.0	5.0	11.0			500	500		
NPX682K310VX2F	0.0068	682	13.0	5.0	11.0			500	500		
NPX822K310VX2F	0.0082	822	13.0	5.0	11.0			500	500		
NPX103K310VX2MF	0.01	103	13.0	5.0	11.0			15.0	0.8	500	500
NPX103K310VX2F			18.0	5.0	11.0					500	400
NPX123K310VX2F	0.012	123	18.0	5.0	11.0	500	400				
NPX153K310VX2F	0.015	153	18.0	5.0	11.0	500	400				
NPX183K310VX2F	0.018	183	18.0	5.0	11.0	500	400				
NPX223K310VX2MF	0.022	223	13.0	5.0	11.0	10.0	0.6			500	500
NPX223K310VX2F			18.0	5.0	11.0	15.0	0.8			500	400
NPX273K310VX2MF	0.027	273	13.0	5.0	11.0	10.0	0.6			500	500
NPX273K310VX2F			18.0	5.0	11.0	15.0	0.8			500	400
NPX333K310VX2MF	0.033	333	13.0	5.0	11.0	10.0	0.6			500	500
NPX333K310VX2F			18.0	5.0	11.0	15.0	0.8			500	400
NPX393K310VX2F	0.039	393	18.0	5.0	11.0	15.0	0.8			500	400
NPX473K310VX2MF	0.047	473	13.0	5.0	11.0	10.0	0.6			500	500
NPX473K310VX2F			18.0	5.0	11.0	15.0	0.8			500	400
NPX563K310VX2MF	0.056	563	13.0	5.0	11.0	10.0	0.6	500	500		
NPX563K310VX2F			18.0	5.0	11.0	15.0	0.8	500	400		
NPX683K310VX2MF	0.068	683	13.0	5.0	11.0	10.0	0.6	500	500		
NPX683K310VX2F			18.0	5.0	11.0	15.0	0.8	500	400		
NPX823K310VX2MF	0.082	823	13.0	6.0	12.0	10.0	0.6	500	400		
NPX823K310VX2F			18.0	6.0	12.0	15.0	0.8	500	400		
NPX104K310VX2MF	0.1	104	13.0	6.0	12.0	10.0	0.6	500	400		
NPX104K310VX2M2F			18.0	5.0	11.0	15.0		500	400		
NPX104K310VX2F			18.0	6.0	12.0		500	400			
NPX124K310VX2MF	0.12	124	18.0	6.0	12.0		15.0	0.8	500	n/a	
NPX154K310VX2MF	0.15	154	18.0*	6.2	13.0	500			n/a		
NPX184K310VX2F	0.18	184	18.0*	8.5	14.5	250			n/a		
NPX224K310VX2M2F	0.22	224	18.0*	6.2	13.0	500			n/a		
NPX224K310VX2MF			18.0*	8.5	14.5	250			n/a		
NPX224K310VX2F	0.27	274	26.5*	7.0	16.5	22.5			250	n/a	
NPX274K310VX2F			26.5*	8.5	17.0	200			n/a		
NPX334K310VX2MF	0.33	334	18.0*	10.0	16.0	15.0			250	n/a	
NPX334K310VX2F			26.5*	8.5	17.0	22.5			200	n/a	
NPX394K310VX2F	0.39	394	26.5*	10.0	19.0	22.5			150	n/a	
NPX474K310VX2MF	0.47	474	18.0*	10.0	16.0	15.0			0.8	250	n/a
NPX474K310VX2M3F			26.5*	8.5	17.0	22.5				200	n/a
NPX474K310VX2M2F			26.5*	10.0	19.0					150	n/a
NPX564K310VX2M2F	0.56	564	18.0*	11.0	18.5	15.0			250	n/a	
NPX564K310VX2MF			26.5*	10.0	19.0	22.5	150	n/a			
NPX564K310VX2F			32.0*	11.0	20.0	27.5	100	n/a			
NPX684K310VX2MF	0.68	684	26.5*	10.0	19.0	22.5	150	n/a			
NPX684K310VX2F			32.0*	11.0	20.0	27.5	100	n/a			
NPX824K310VX2M2F	0.82	824	18.0*	11.0	18.5	15.0	250	n/a			
NPX824K310VX2MF			26.5*	12.0	21.5	22.5	100	n/a			
NPX824K310VX2F			32.0*	13.0	22.0	27.5	100	n/a			

*These value are not available tape & box

#1 - ±0.4mm tolerance available special order

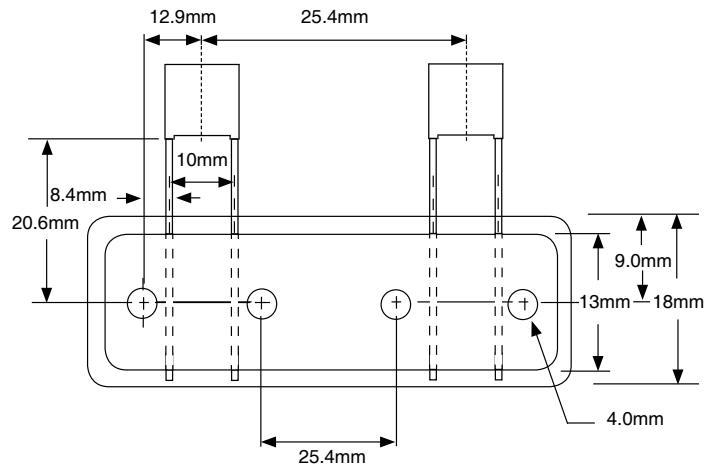
®

STANDARD VALUES AND CASE SIZE (mm)

Part Number	Cap. Value (μF)	Capacitance Code	L ±0.5	T ±0.5	H ±0.5	LS ±0.5#1	LD ±0.08	Bulk Package Quantity	Tape & Box Quantity
NPX105K310VX2MF	1.0	105	26.5*	12.0	21.5	22.5	0.8	100	n/a
NPX105K310VX2M2F			32.0*	11.0	20.0	27.5		100	n/a
NPX105K310VX2F			32.0*	13.0	22.0	27.5		100	n/a
NPX125K310VX2F	1.2	125	32.0*	22.0	13.0	27.5		100	n/a
NPX155K310VX2F	1.5	155	32.0*	25.0	14.0	27.5		100	n/a
NPX185K310VX2F	1.8	185	32.0*	28.0	18.0	27.5		50	n/a
NPX205K310VX2F	2.0	205	32.0*	28.0	18.0	27.5		50	n/a
NPX225K310VX2F	2.2	225	32.0*	28.0	18.0	27.5		50	n/a

*These value are not available tape & box
 #1 - ±0.4mm tolerance available special order

AMMO PACK TAPING DIMENSIONS



AMMO PACK BOX DIMENSIONS

