

## Flush-type connector - SACC-DSI-MS-8CON-L180/SH TQ - 1456530


Please be informed that the data shown in this PDF Document is generated from our Online Catalog. Please find the complete data in the user's documentation. Our General Terms of Use for Downloads are valid (<http://phoenixcontact.com/download>)



Sensor/actuator flush-type plug, with water blue contact carrier, 8-pos., M12 SPEEDCON, shielded, rear/screw mounting with M16 thread, with straight solder connection



### Key commercial data

Packing unit	20 pc
Minimum order quantity	20 pc
GTIN	 4 046356 617154
Weight per Piece (excluding packing)	14.44 g
Custom tariff number	85366990
Country of origin	Germany
Note	Made to Order (non-returnable)

### Technical data

#### Dimensions

Length of the solder pin	6 mm
--------------------------	------

#### Ambient conditions

Ambient temperature (operation)	-25 °C ... 85 °C (Plug / socket)
Degree of protection	IP67

#### General

Rated current at 40°C	2 A
Rated voltage	30 V
Number of positions	8
Contact resistance	≤ 3 mΩ
Insulation resistance	≥ 100 MΩ
Coding	A - standard
Standards/regulations	M12 connector IEC 61076-2-101
Status display	No

# Flush-type connector - SACC-DSI-MS-8CON-L180/SH TQ - 1456530

## Technical data

### General

Surge voltage category	II
Pollution degree	3
Connection method	Solder pins
Insertion/withdrawal cycles	≥ 100
Mounting type	Rear mounting M16 x 1.5 With flat nut

### Material

Inflammability class according to UL 94	V0
Contact material	CuZn
Contact surface material	Ni/Au
Contact carrier material	PA 66
Material, knurls	Zinc die-cast, nickel-plated
Sealing material	FKM

### Cable

Transmission characteristics (category)	CAT5 (IEC 11801:2002)
---	-----------------------

## Classifications

### eCl@ss

eCl@ss 4.0	27250313
eCl@ss 4.1	27250313
eCl@ss 5.0	27143423
eCl@ss 5.1	27143423
eCl@ss 6.0	27143423
eCl@ss 7.0	27449001
eCl@ss 8.0	27440103

### ETIM

ETIM 4.0	EC002061
ETIM 5.0	EC002061

### UNSPSC

UNSPSC 6.01	31261501
UNSPSC 7.0901	31261501
UNSPSC 11	31261501
UNSPSC 12.01	31261501
UNSPSC 13.2	31261501

## Approvals

### Approvals

# Flush-type connector - SACC-DSI-MS-8CON-L180/SH TQ - 1456530

## Approvals

Approvals

UL Recognized / EAC / cULus Recognized

Ex Approvals

Approvals submitted

## Approval details

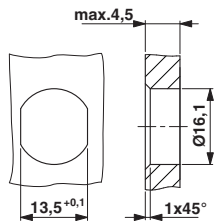
UL Recognized	
mm <sup>2</sup> /AWG/kcmil	26-20
Nominal current I <sub>N</sub>	2 A
Nominal voltage U <sub>N</sub>	30 V

EAC
-----

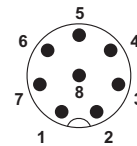
cULus Recognized	
mm <sup>2</sup> /AWG/kcmil	22
Nominal current I <sub>N</sub>	2 A
Nominal voltage U <sub>N</sub>	30 V

## Drawings

Dimensioned drawing



Schematic diagram

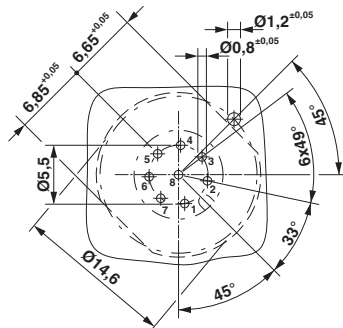


Pin assignment M12 plug, 8-pos., view plug side

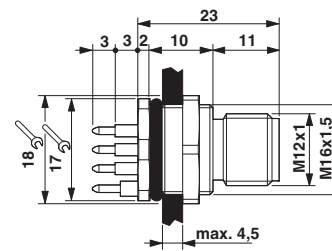
Housing cutout for M16 fastening thread, mounting panel with feed-through hole (alternatively with area as anti-rotation protection for panel thicknesses > 2 mm up to max. 4.5 mm)

# Flush-type connector - SACC-DSI-MS-8CON-L180/SH TQ - 1456530

Drilling diagram

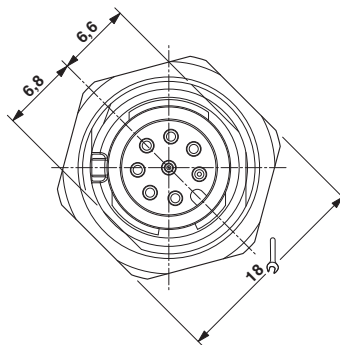


Dimensioned drawing



M12 flush-type connector

Dimensioned drawing



M12 front view