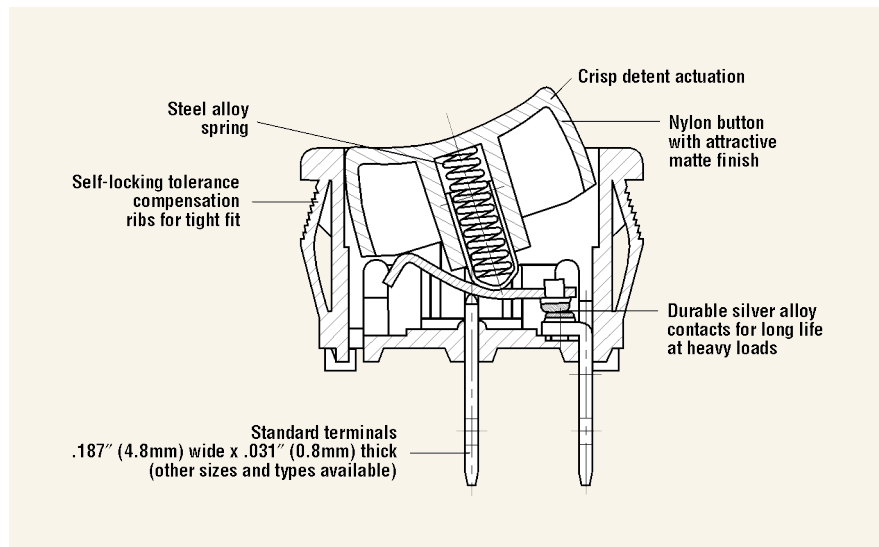


MINIATURE ROCKER SWITCH

SR Series

Features

- 10 or 20 amp switching in a miniature package
- Single-throw and double-throw options
- Choice of actuator and housing color
- Variety of terminals available
- Industry-standard mounting dimensions
- Mechanical life: min. 100,000 operations



Electrical Ratings

Switch Series	EN61058 Rating	UL1054 Rating	Electrical Life at Rated Load	
			According to VDE (Min. Operations)	According to UL (Min. Operations)
SR	10(4)A, 250V~, μ T85	20A, 125VAC; 10A, 125VAC; 6A, 250VAC	10,000	6,000

Specifications

Electrical

Dielectric Strength: 1000VAC for 1 minute

Insulation Resistance: 10^8 ohms min at 500VDC

Initial Contact Resistance: 0.020 ohms max

Temperature Range: -20°C to +65°C

Materials

Actuator: Nylon 66 94V-2

Case: Nylon 66 94V-2

Spring: Steel Wire

Contacts: Silver or Copper Alloy

Movable Arm: Silver-Plated Copper Alloy

Terminals: Tin-Plated Copper Alloy

