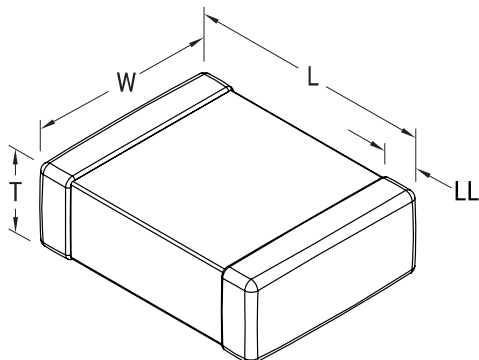


KEMET, L-RMS, RF, 8200 pH, 5%



General Information	
Series:	L-RMS
Style:	SMD Chip
Description:	Surface Mount Inductor
RoHS:	Yes
Core:	Ceramic
Winding Type:	Multilayer

Dimensions	
Chip Size	0402
L	1mm +/-0.05mm
W	0.5mm +/-0.05mm
T	0.5mm +/-0.05mm
LL	0.25mm +/-0.1mm

Specifications	
Inductance:	0.0082 uH (100 MHz)
Inductance Tolerance:	5%
Temperature Range:	-55/+125C
Current:	300 mAmps (MAX)
DC Resistance:	0.28 Ohms
Quality Factor:	10 at 100 MHz, 23 at 500 MHz, 29 at 800 MHz, 31 at 1000 MHz
Self-Resonant Frequency:	3600 MHz

Packaging Specifications	
Packaging:	T&R
Packaging Quantity:	10000