

NEW



microSD™ Memory Card and SIM Card
Combo Connector

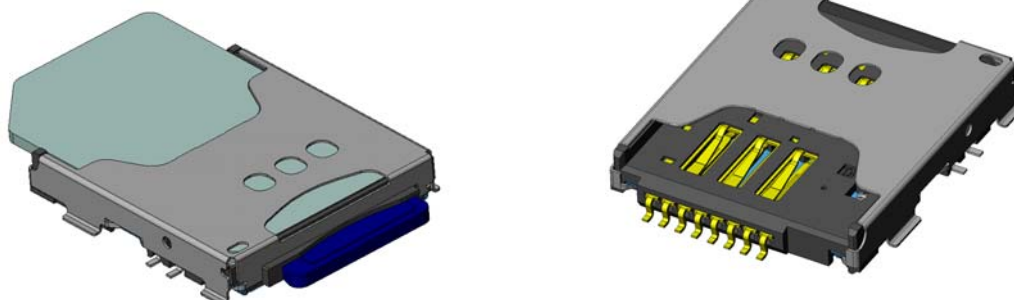
CONNECTOR

MB-0188-1

September 2008

ST7 Series

RoHS Compliant



The ST7 Series is a combo connector that simultaneously accepts a micro SD™ card in a push-push slot, and a GSM11.11 standard compatible Plug-in SIM card.

* microSD™ is a trademark of SD Card Association.

Features

- Combo connector compatible with slide-type GSM11.11 standard Plug-in SIM card, and reverse-mounting push-push structure compatible with the microSD™ card standardized by the SDA™
- 0.8mm push stroke and 3.3mm card eject length
- Card half lock structure
- Countermeasure to prevent the card from popping out
- Card insertion detection structure (D-SW), Normally open: micro SD™ and SIM card
- Shield feature is secured by 4 ground connection points
- Slim design with 3.2mm height, 17.8mm width, and 20.5mm depth (depth including card: 27.25mm)
- Supply for automatic mounting in embossed tape (Compatible with second reflow)

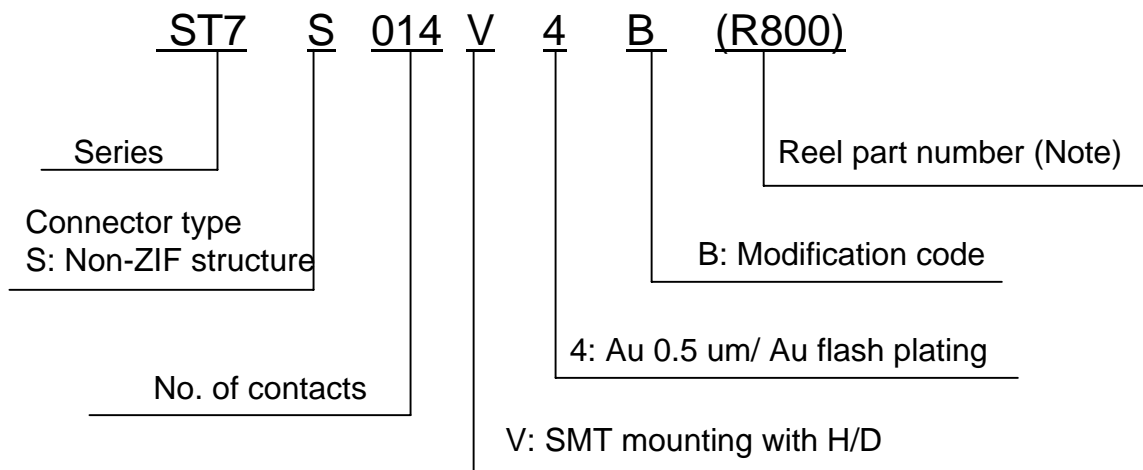
General Specifications

- | | |
|--|---|
| ■ No. of contacts : 14 pos.+2pos. (D-SW) | ■ Rated current: 0.5A/ per pin |
| ■ Contact resistance: 100m ohm max. | ■ Rated voltage: 10V/ per pin |
| ■ Dielectric withstanding voltage :
AC500Vr.m.s. per minute | ■ Insulation resistance: 1000M ohm min. |
| ■ Operating temperature:
-25 Deg. C to +85 Deg. C | ■ Lifetime: Plug-in SIM: 5,000 times
micro SD™: 10,000 times |
| ■ Storage temperature:
-10 Deg. C to +60 Deg. C | ■ Temperature rise: 30 Deg. C rise max. |

Materials and Finishes

Components	Material /Finish
Signal contact (microSD, SIM in common)	Copper Alloy/ Contact: 0.5um min. Au plating over Ni Terminal: Au flash plating over Ni
Housing	Synthetic resin/ No (UL94V-0)
Cover frame	Stainless steel/ terminal area: Au flash plating over Ni
Eject bar	Synthetic resin/ No (UL94V-0)
Spring	Stainless steel/ None
D-SW contact	Plating: Compliant to finish of signal contact
Lock	Stainless steel/ None
Cam follower	Stainless steel/ None

Ordering Information



Part Number	SJ Drawing
ST7S014V4B	SJ108850

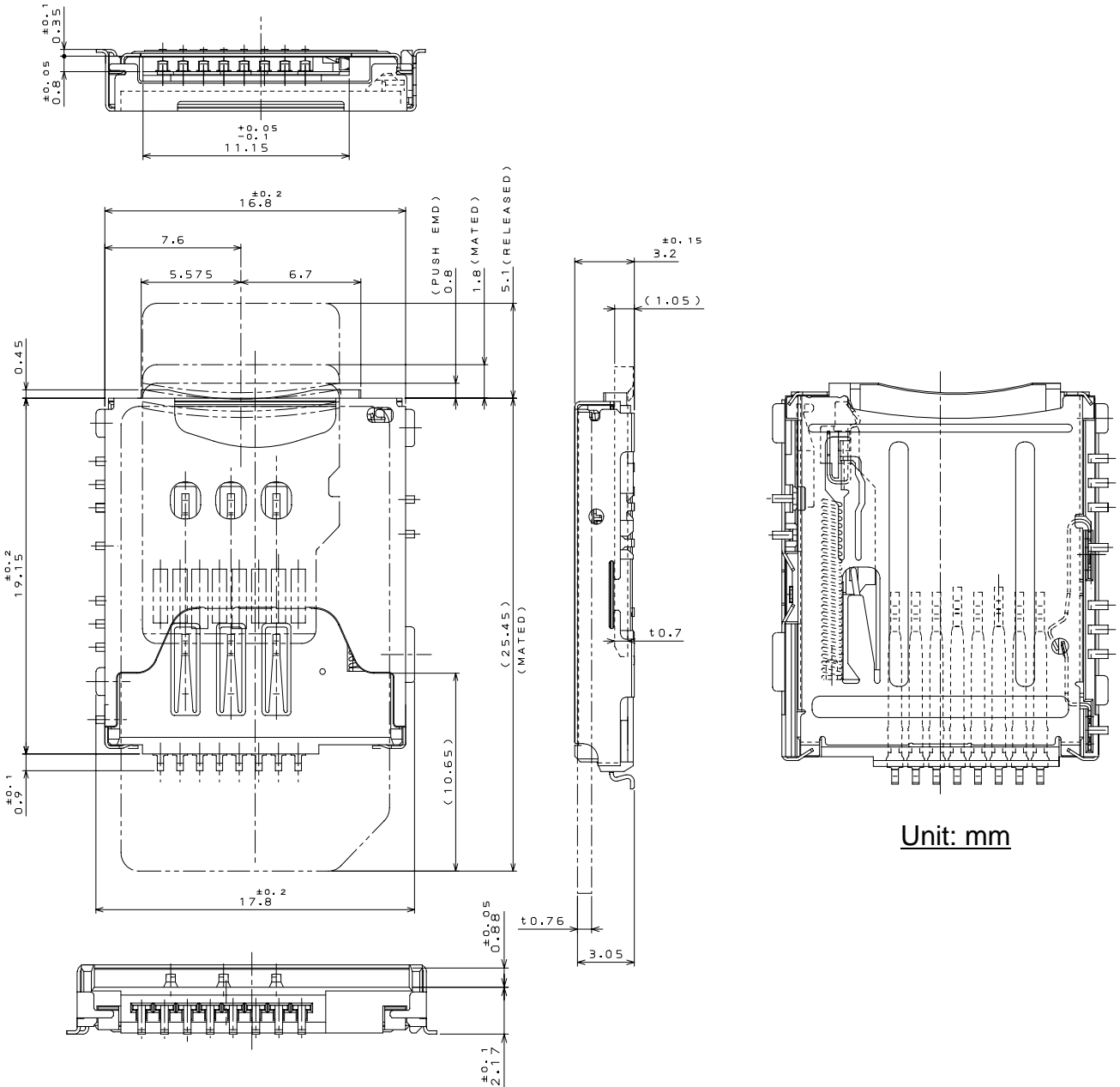


TABLE1 Circuit [Detection Switch]

	WITHOUT CARD	CARD MATED
microSD		
SIM		

