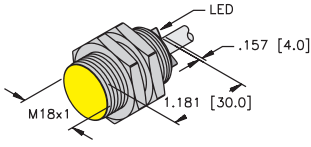
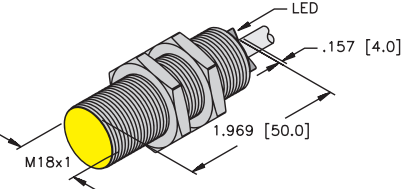
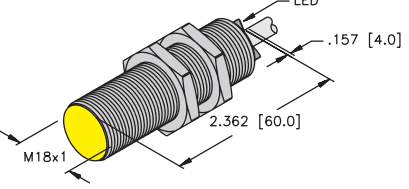


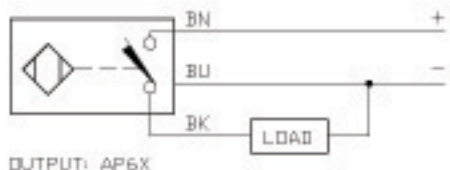
# Inductive Sensors



Housing Style	Part Number	ID Number	Features	Sensing Range (mm)	Output
<b>18 mm - Embeddable, Full Threading, Potted-In Cable</b> 	Bi 5-G18-AN6X	T4671400	<i>Short Barrel</i>	5	3-Wire DC NPN
	Bi 5-G18-AN7X	T4740593	<i>TTL Compatible</i>	5	
	Bi 5-G18-AP6X	T4670400		5	3-Wire DC PNP
	Bi 5-EG18-Y0	T1006001		5	2-Wire NAMUR
	Bi 5-G18-Y0	T1006000		5	
	Bi 5-G18-Y0X	T4015000		5	
<b>18 mm - Embeddable, Full Threading, Potted-In Cable</b> 	Bi 5-EG18-AN6X	T4611101		5	3-Wire DC NPN
	Bi 5-G18-AN6X	T4641500		5	
	Bi 5-G18-AN7X	T4740500	<i>TTL Compatible</i>	5	
	Bi 8-G18-AN6X	T4616101	<i>Ext. Range</i>	8	
	Bi 5-EG18-AP6X	T4611001		5	3-Wire DC PNP
	Bi 5-G18-AP6X	T4641400		5	
Bi 8-G18-AP6X	T4615088		8		
<b>18 mm - Embeddable, Full Threading, Potted-In Cable</b> 	Bi 5-G18-ADZ30X2	T4212000		5	2-Wire AC/DC Short-Circuit Protected
	Bi 8-G18-ADZ30X2	T4209320	<i>Extended Range</i>	8	
	Bi 5-EG18-AZ3X	T4611190		5	2-Wire AC/DC
	Bi 5-G18-AZ3X	T4330400		5	
	Bi 5-G18-AZ3X2	T1374195		5	

Output	Switching Freq. (Hz)	Operating Current (mA) VAC/VDC	Operating Temp. (°C)	Protection	Housing	Face	End Cap	Power LED	Output LED	Cable Length/ Cable Mat.	Wiring Diagram #	Wiring Diagrams
10-30 VDC	1000	≤200	-25 to +70	IP 67	CPB	PA 12	EPTR	N/A	YE	2M/PVC	1	<b>Diagram 1</b> 
	1000	≤200	-25 to +70	IP 67	CPB	PA 12	EPTR	N/A	YE	2M/PVC	1	
10-30 VDC	1000	≤200	-25 to +70	IP 67	CPB	PA 12	EPTR	N/A	YE	2M/PVC	2	<b>Diagram 2</b> 
5-30 VDC	1000	Remote	-25 to +70	IP 67	SS	PA 12	EPTR	N/A	N/A	2M/PVC	3	
	1000	Remote	-25 to +70	IP 67	CPB	PA 12	EPTR	N/A	N/A	2M/PVC	3	
	1000	Remote	-25 to +70	IP 67	CPB	PA 12	EPTR	N/A	YE	2M/PVC	3	
10-30 VDC	1000	≤200	-25 to +70	IP 67	SS	PA 12	EPTR	N/A	YE	2M/PVC	1	<b>Diagram 3</b> 
	1000	≤200	-25 to +70	IP 67	CPB	PA 12	EPTR	N/A	YE	2M/PVC	1	
	1000	≤150	-25 to +70	IP 67	CPB	PA 12	EPTR	N/A	YE	2M/PVC	1	
	500	≤200	-25 to +70	IP 67	SS	PA 12	EPTR	N/A	YE	2M/PVC	1	
10-30 VDC	1000	≤200	-25 to +70	IP 67	SS	PA 12	EPTR	N/A	YE	2M/PVC	2	<b>Diagram 4</b> 
	1000	≤200	-25 to +70	IP 67	CPB	PA 12	EPTR	N/A	YE	2M/PVC	2	
	500	≤200	-25 to +70	IP 67	SS	PA 12	EPTR	N/A	YE	2M/PVC	2	
20-250 VAC 10-300 VDC	20	≤400/300	-25 to +70	IP 67	CPB	PA 12	EPTR	GN	RD	2M/PVC	4	
	20	≤400/300	-25 to +70	IP 67	SS	PA 12	EPTR	GN	RD	2M/PVC	4	
20-250 VAC 10-300 VDC	20	≤400/300	-25 to +70	IP 67	SS	PA 12	EPTR	N/A	RD	2M/PVC	4	
	20	≤400/300	-25 to +70	IP 67	CPB	PA 12	EPTR	N/A	RD	2M/PVC	4	
	20	≤400/300	-25 to +70	IP 67	CPB	PA 12	EPTR	N/A	RD	2M/PVC	4	

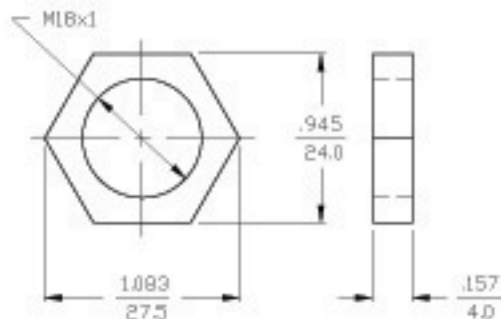
WIRING DIAGRAMS



OUTPUT: AP6X

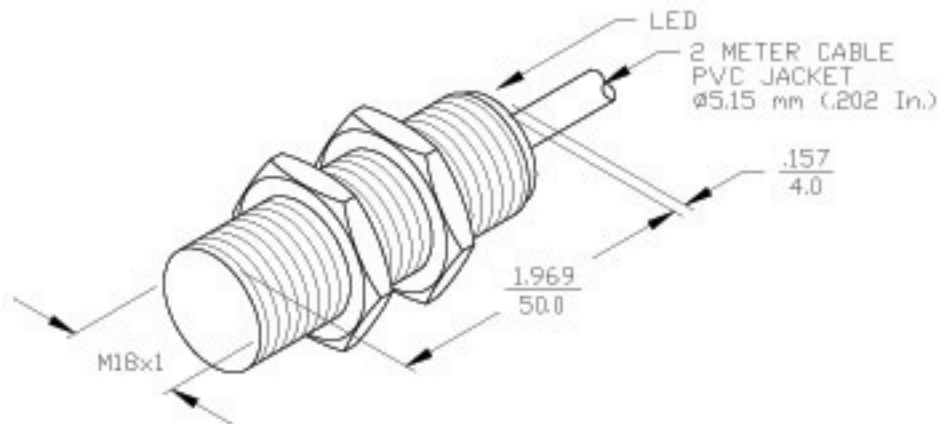
SHORT-CIRCUIT AND OVERLOAD PROTECTED

LOCKNUT LN-M18



SPECIFICATIONS

OPERATING VOLTAGE	10-30 VDC
RIPPLE	≤10%
DIFFERENTIAL TRAVEL (HYSTERESIS)	3-15% (5% TYPICAL)
VOLTAGE DROP ACROSS CONDUCTING SENSOR	≤1.8 V at 200 mA
OUTPUT FUNCTION	NORMALLY OPEN 3-WIRE DC SELF-CONTAINED
TTL COMPATIBLE	NO
SHORT-CIRCUIT PROTECTED	YES
TRIGGER CURRENT FOR OVERLOAD PROTECTION	≥ 220 mA
CONTINUOUS LOAD CURRENT	≤ 200 mA
OFF-STATE (LEAKAGE) CURRENT	<10 μA
NO-LOAD CURRENT	5.5-9.5 mA
TIME DELAY BEFORE AVAILABILITY	≤ 8 ms
POWER-ON EFFECT PROTECTION	INCORPORATED
REVERSE POLARITY PROTECTION	INCORPORATED
WIRE-BREAK PROTECTION	INCORPORATED
PROTECTION AGAINST TRANSIENTS	2 kV, 1 ms, 1 kΩ
OPERATING TEMPERATURE	-25°C to +70°C (-13°F to +158°F)
ENCLOSURE	MEETS NEMA 1, 3, 4, 6, 13 AND IEC IP67
SHOCK	30 g, 11 ms
VIBRATION	55 Hz, 1 mm AMPLITUDE (ON ALL 3 PLANES)
LED FUNCTION	RED OUTPUT ENERGIZED
RATED OPERATING DISTANCE(Sn)	5 mm = .197" (NOMINAL)
SWITCHING FREQUENCY	1000 Hz
REPEATABILITY	≤2% of RATED OPERATING DISTANCE
EMBEDDABLE <SHIELDED>	YES



MATERIAL <b>BRASS BARREL</b>		3RD ANGLE PROJECTION		<b>TURK INC</b>
FINISH <b>COPPER/NICKEL/ CHROME PLATING</b>				
DRWN <b>GMB</b>	DATE <b>9/14/88</b>	PART NO. <b>BI5-G18-AP6X 50mm</b>		
D-KD	DATE	SIZE <b>B</b>	ID NO. <b>4641400</b>	REV <b>B</b>
THI		DIMENSIONS ARE IN <b>INCHES</b> mm		SCALE <b>NONE</b>
REVISIONS		BMPK-II\4641400		SHEET <b>OF</b>

B	SEE REVISION DOCUMENT 4641400	SWC	5/17/94	
REV	DESCRIPTION	DRFT	DATE	CHKD