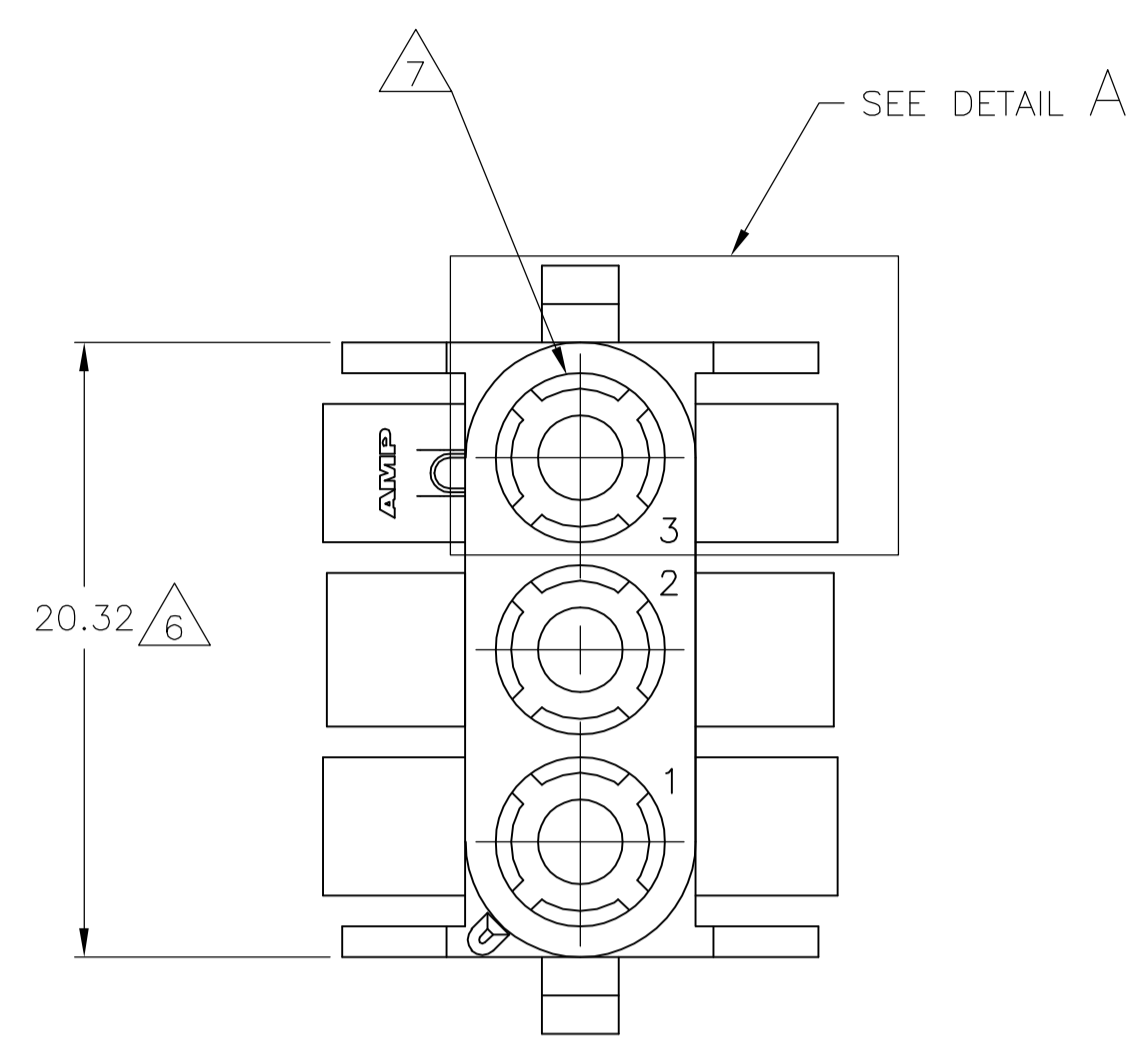
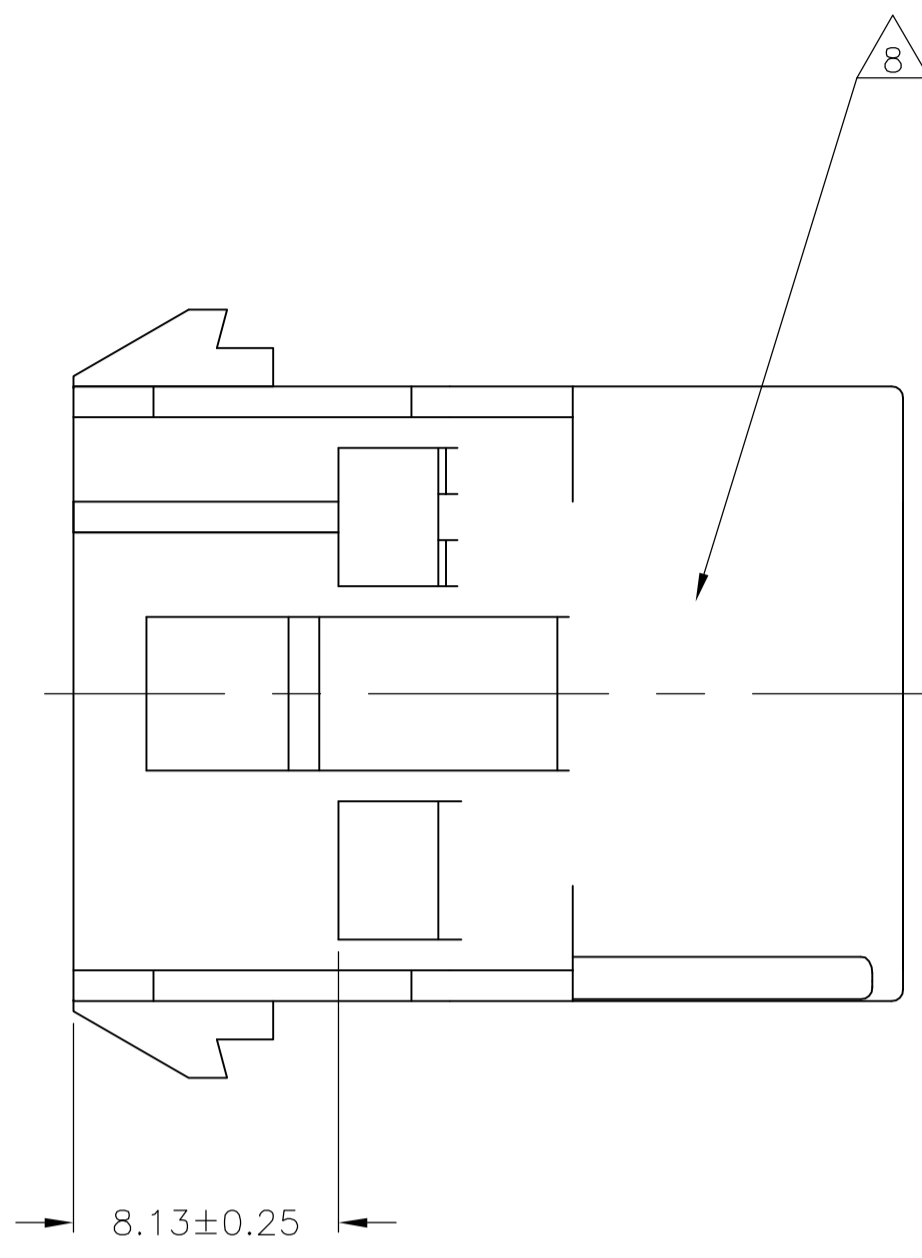
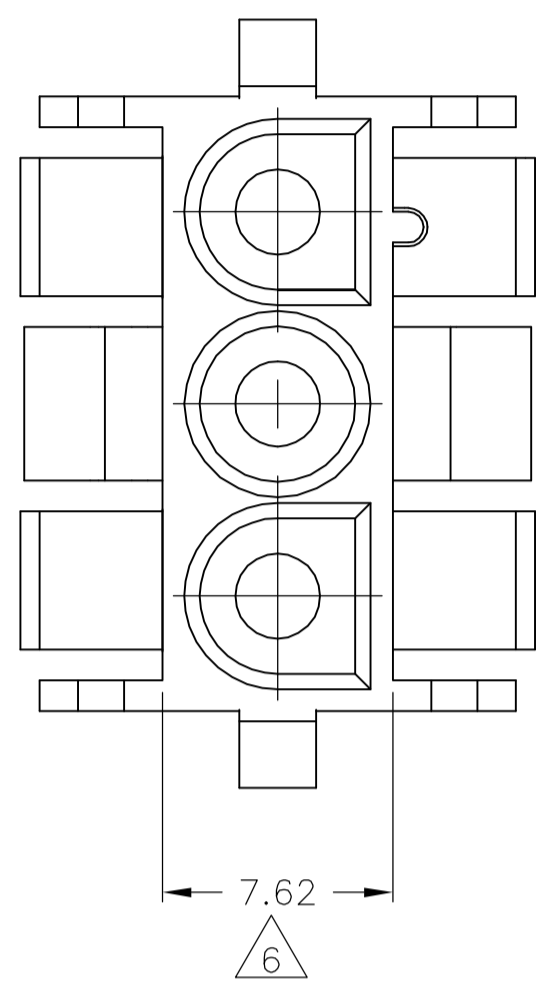
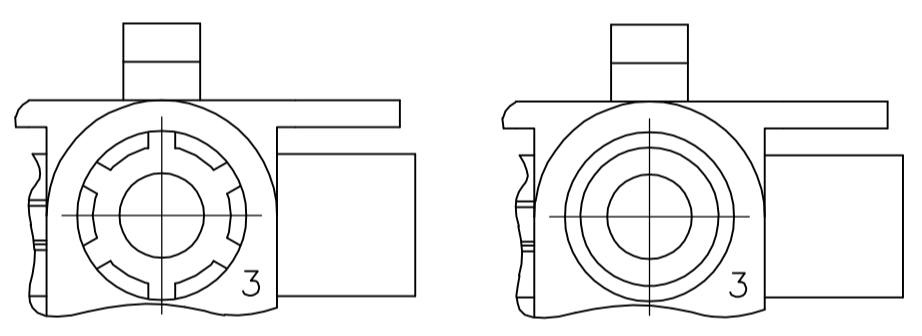


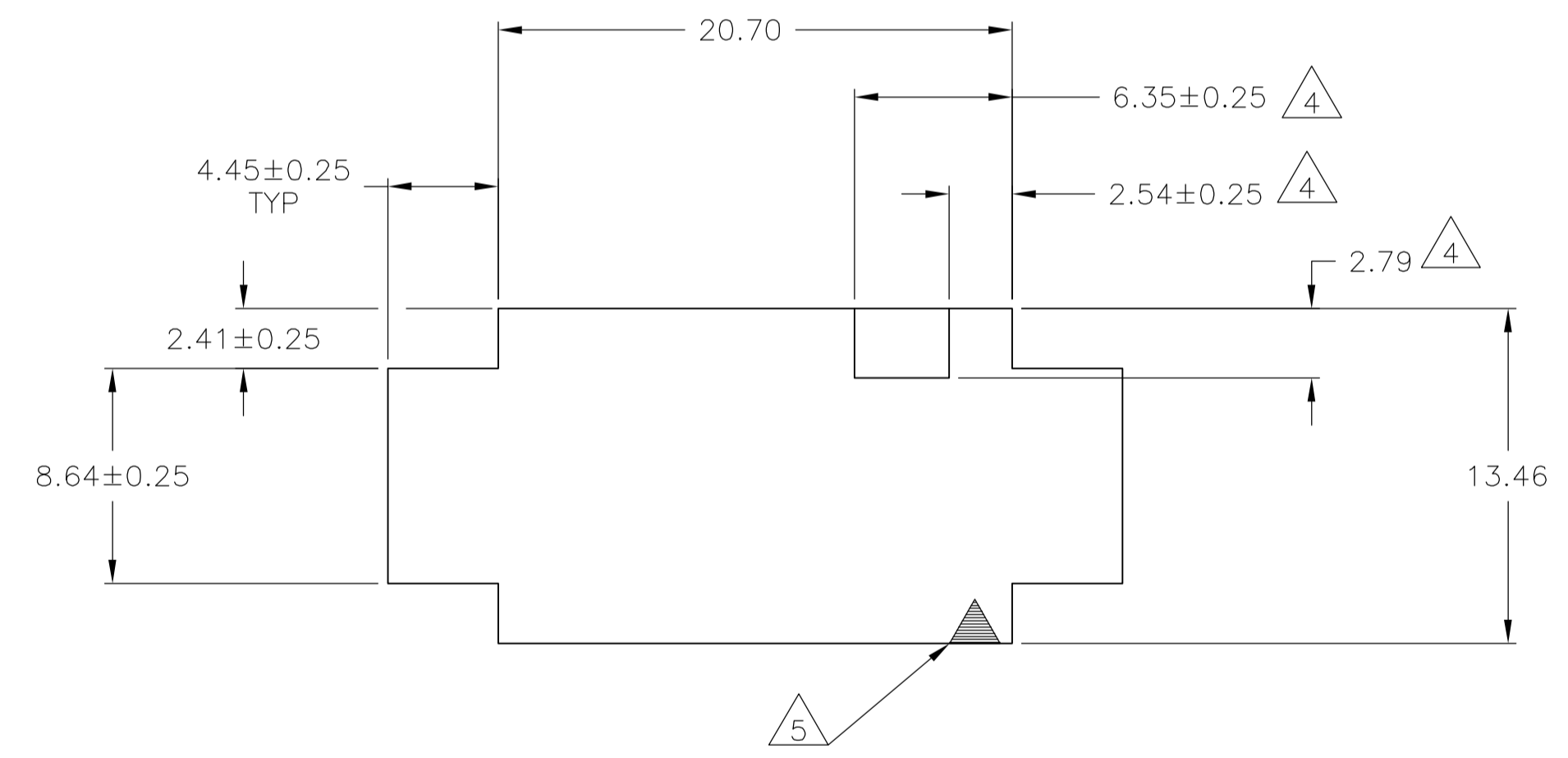
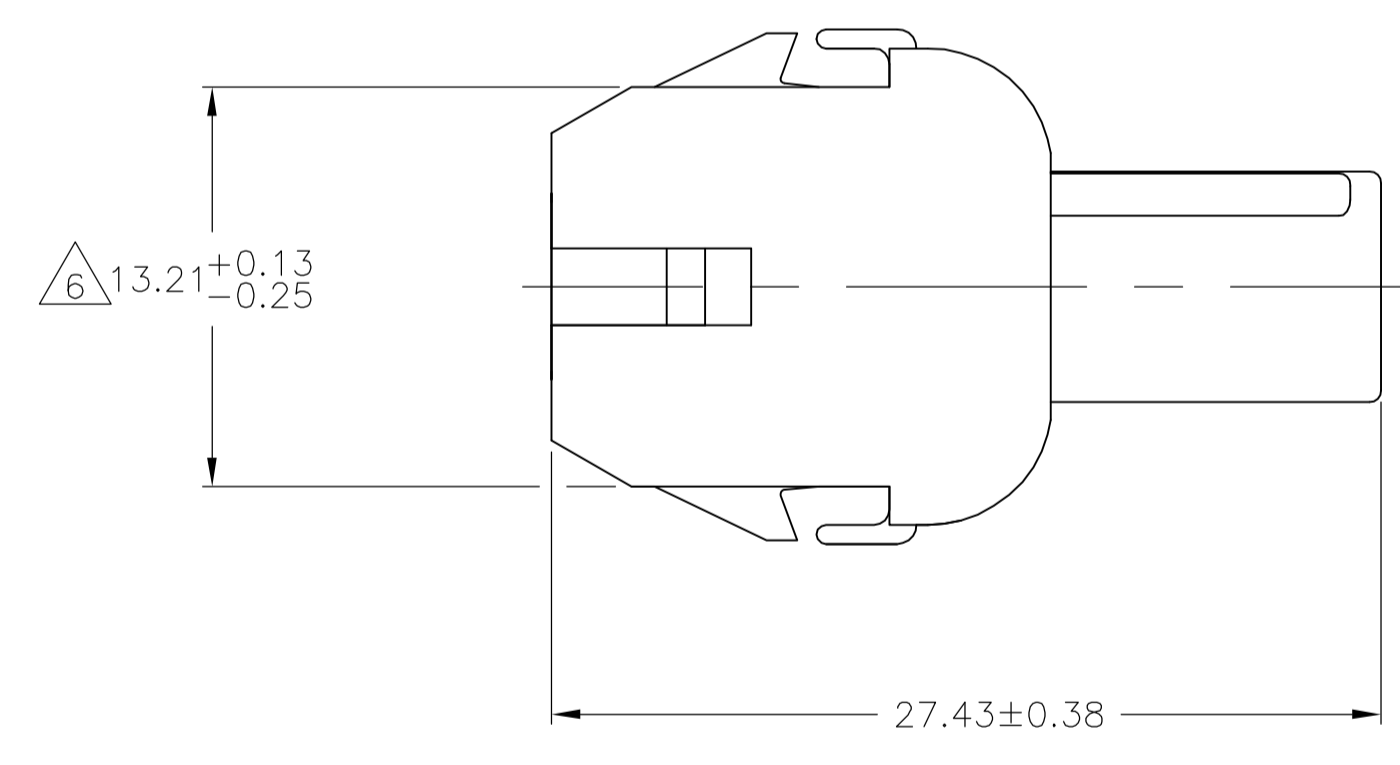
LOC		DIST		REVISIONS			
CM	00	REV	DATE	BY	APPV	DATE	BY
AN		REVISED PER ECO-07-003551	14FEB07	KW	DC		



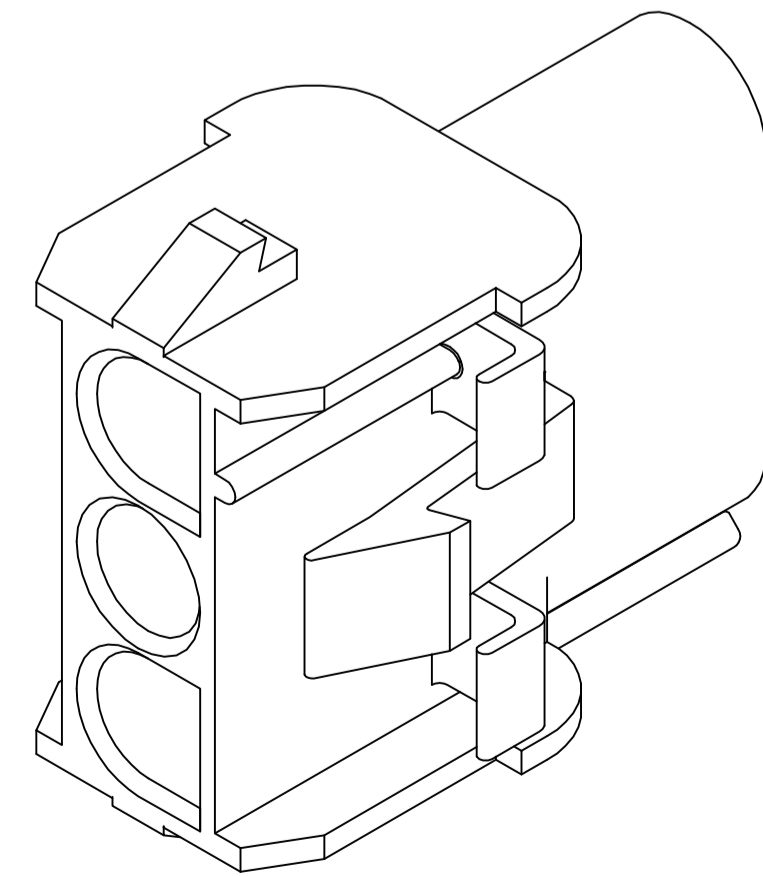
- MATES WITH APPROPRIATE UNIVERSAL MATE-N-LOK™ PLUG.
- RECOMMENDED PANEL THICKNESS 0.76 - 2.29.
- PANEL MUST BE PUNCHED SO THAT THE HOUSING ENTERS THE PANEL IN THE SAME DIRECTION AS THE PUNCH.
- OPTIONAL FOR KEYING HOUSING IN PANEL.
- CIRCUIT NUMBER 1 LOCATION.
- DIMENSION INDICATED IS AS MOLDED. ADDITIONAL GROWTH DUE TO SUBSEQUENT MOISTURE ABSORPTION MAY OCCUR.
- FOUR RIBS EQUALLY SPACED, NO SPECIFIC ORIENTATION. NO RIBS OR SIX RIBS EQUALLY SPACED, NO SPECIFIC ORIENTATION, OPTIONAL.
- UNDERWRITERS RECOGNIZED COMPONENT LOGO AND CSA CERTIFICATION LOGO TO BE LOCATED ONCE EACH ON SIDE OF HOUSING.



DETAIL A  
OPTIONAL CONSTRUCTIONS



RECOMMENDED PANEL CUT OUT



4.45	.175	27.43	1.080
2.79	.110	20.70	.815
2.54	.100	20.32	.800
2.41	.095	13.46	.530
2.29	.090	13.21	.520
0.76	.030	8.64	.340
0.38	.015	8.13	.320
0.25	.010	7.62	.300
0.13	.005	6.35	.250
MM	IN	MM	IN

CONVERSION TABLE

BLACK	1-480701-9
GRAY	1-480701-8
BLUE	1-480701-6
GREEN	1-480701-5
YELLOW	1-480701-4
ORANGE	1-480701-3
RED	1-480701-2
BROWN	1-480701-1
NATURAL	1-480701-0
COLOR	PART NO.

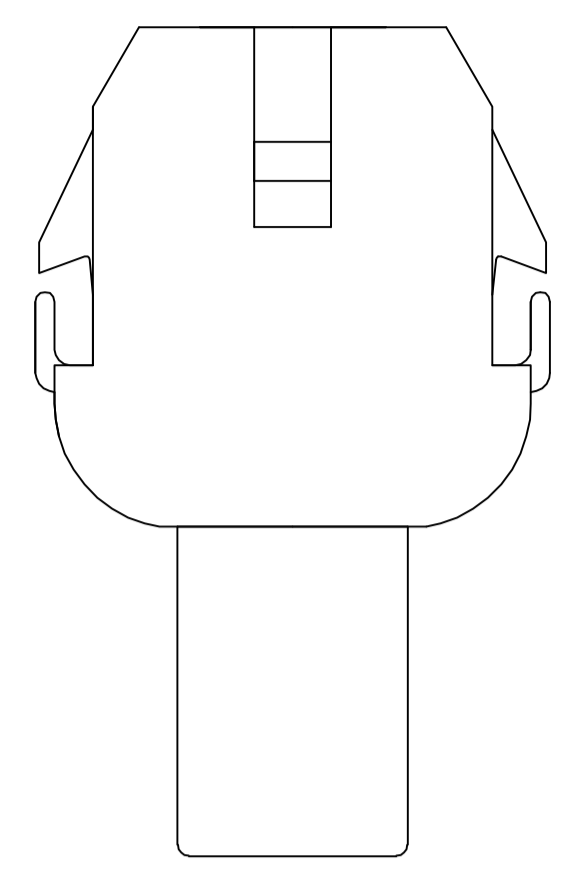
METRIC

THIS DRAWING IS A CONTROLLED DOCUMENT.

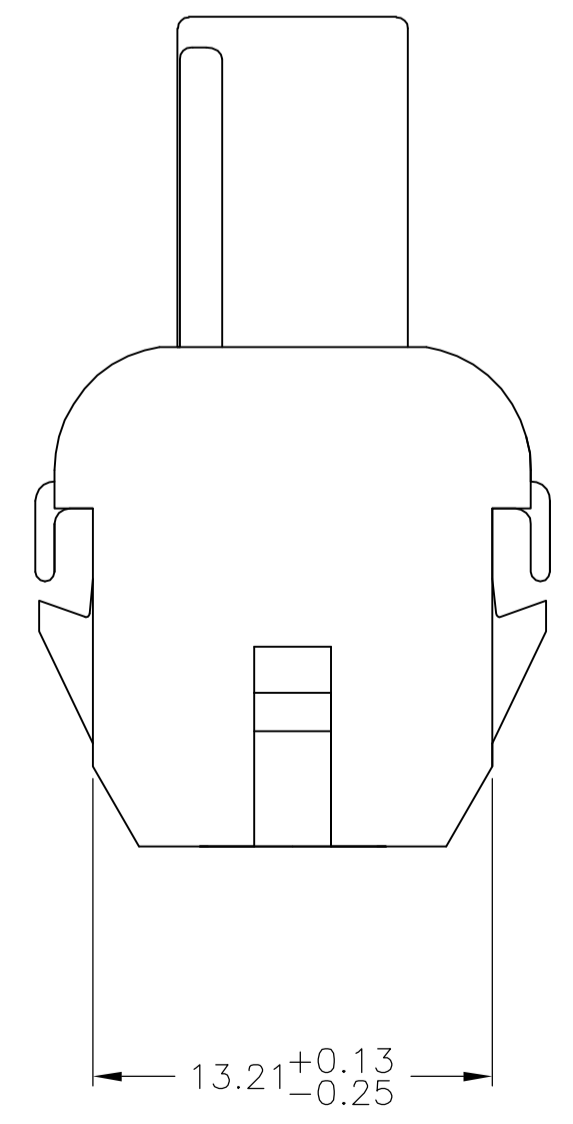
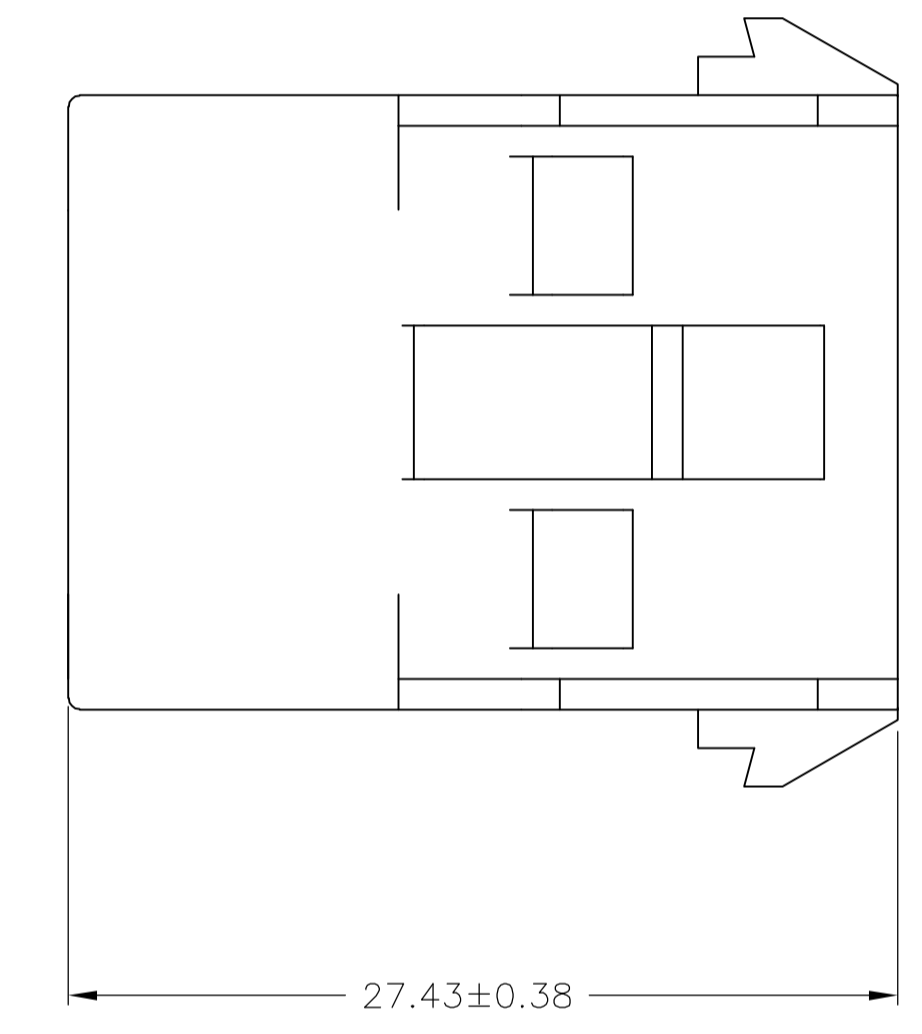
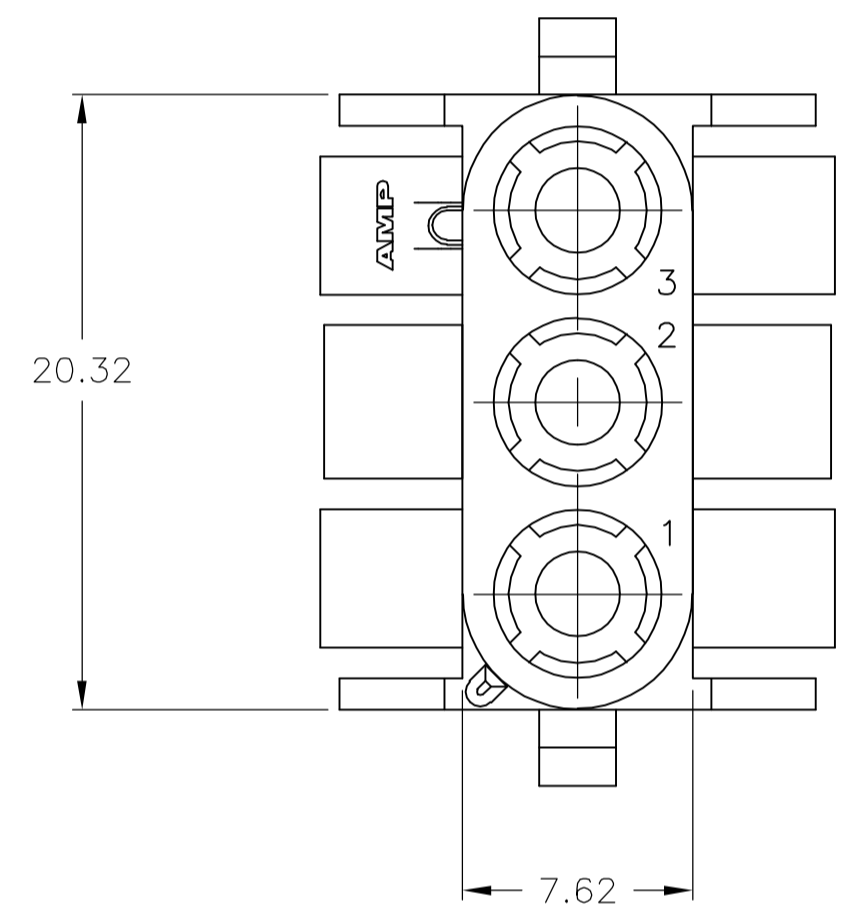
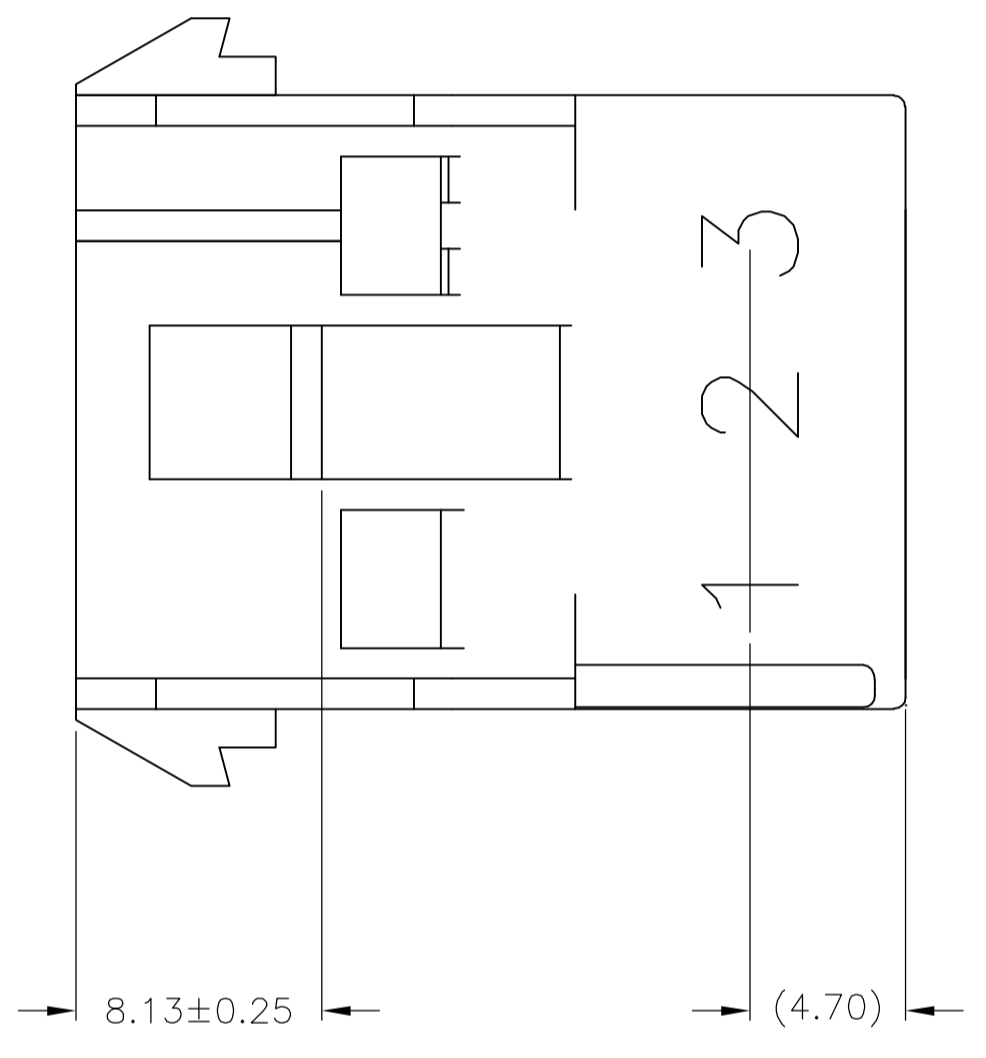
DIMENSIONS:	TOLERANCES UNLESS OTHERWISE SPECIFIED:	DWN	K. WHITAKER	28JUL2004		Tyco Electronics Corporation Harrisburg, PA 17105-3608	
mm	0 PLC ± - 1 PLC ± ± 2 PLC ± ± 0.13 3 PLC ± ± 4 PLC ± ± ANGLES ± 0.30°	CHK	S. RIDGILL	28JUL2004			
		APVD	S. RIDGILL	28JUL2004	NAME	CAP, 3 CIRCUIT, UNIVERSAL MATE-N-LOK(TM)	
MATERIAL	NYLON, UL94V-2	FINISH	-	WEIGHT	-	RESTRICTED TO	
CUSTOMER DRAWING		SCALE	4:1	SHEET	1 OF 2	REV	AN

SIZE: A1    CASE CODE: 00779    DRAWING NO: 480701

LOC	DIST	REVISIONS			
REV	BY	DATE	DESCRIPTION	DATE	BY
CM	00		SEE SHEET 1		

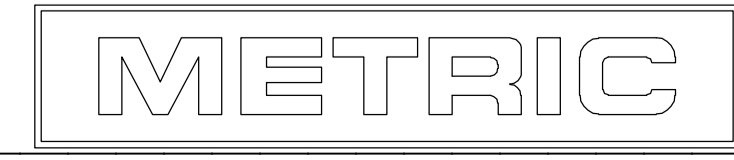


1. STAMP NUMBERS 3.18 HIGH AT WIRE END OF HOUSING (12 POINT DAVID TYPE).
2. CHARACTERS TO BE STAMPED ON HOUSING IN A MANNER AS TO BE READ FROM WIRE END ONLY.
3. VIOLET, BLACK, BROWN AND BLUE COLORED BLOCKS TO BE STAMPED WITH WHITE CHARACTERS. ALL OTHER COLORED BLOCKS TO BE STAMPED WITH BLACK CHARACTERS.



MM	IN	MM	IN
5.59	.220	-	-
4.70	.185	27.43	1.080
3.18	.125	20.32	.800
0.38	.015	13.21	.520
0.25	.010	8.13	.320
0.13	.005	7.62	.300

CONVERSION TABLE



THIS DRAWING IS A CONTROLLED DOCUMENT.

DIMENSIONS: mm	TOLERANCES UNLESS OTHERWISE SPECIFIED: 0 PLC ± - 1 PLC ± - 2 PLC ± 0.13 3 PLC ± - 4 PLC ± - ANGLES ± 0.30°	FINISH -	MATERIAL NYLON, UL94V-2
----------------	--	----------	-------------------------

DWN: K. WHITAKER 28JUL2004	CHK: S. RIDGILL 28JUL2004	APVD: S. RIDGILL 28JUL2004	NAME: PRODUCT SPEC
APPLICATION SPEC			SIZE: A1
WEIGHT: -			CAGE CODE: 00779
CUSTOMER DRAWING			DRAWING NO: 480701

tyco Electronics Tyco Electronics Corporation Harrisburg, PA 17105-3608

CAP, 3 CIRCUIT, UNIVERSAL MATE-N-LOK(TM)

SCALE: 4:1 SHEET 2 OF 2 REV AN

NATURAL	2-480701-0
COLOR	PART NO