

PLEASE CHECK WWW.MOLEX.COM FOR LATEST PART INFORMATION

Part Number: [503473-0200](#)
Status: **Active**
Description: Flexi-Mate™ 3.70mm Pitch Wire-to-Board Plug Housing, Right Angle, 3.00mm Stacking Height, 2 Circuits

Documents:

[3D Model](#) [Application Specification AS-503471-001 \(PDF\)](#)
[Drawing \(PDF\)](#) [RoHS Certificate of Compliance \(PDF\)](#)
[Product Specification PS-503471-001 \(PDF\)](#)

Agency Certification

UL E29179

General

Product Family Crimp Housings
 Series [503473](#)
 Application Signal, Wire-to-Board
 Product Name Flexi-Mate™
 UPC 883906918675

Physical

Circuits (maximum) 2
 Color - Resin White
 Flammability 94HB
 Gender Plug
 Glow-Wire Compliant No
 Keying to Mating Part Yes
 Lock to Mating Part Yes
 Net Weight 165.000/mg
 Number of Rows 1
 Packaging Type Bag
 Panel Mount No
 Pitch - Mating Interface 3.70mm
 Polarized to Mating Part Yes
 Stackable No
 Temperature Range - Operating -40°C to +85°C

Electrical

Current - Maximum per Contact 2A

Material Info

Reference - Drawing Numbers

Application Specification AS-503471-001
 Product Specification PS-503471-001, RPS-503471-002, RPS-503471-005,
 RPS-503471-007, RPS-503473-001
 Sales Drawing SD-503473-001

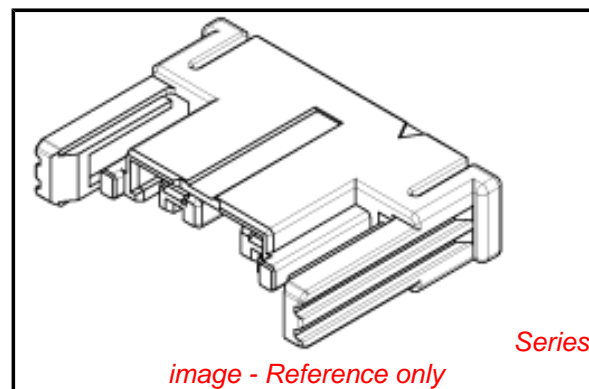


image - Reference only

EU RoHS

**ELV and RoHS
 Compliant**
**REACH SVHC
 Contains SVHC: No
 Low-Halogen Status
 Not Low-Halogen**

China RoHS



**Need more information on product
 environmental compliance?**

Email productcompliance@molex.com
 For a multiple part number RoHS Certificate of
 Compliance, [click here](#)

Please visit the [Contact Us](#) section for any
 non-product compliance questions.

Search Parts in this Series

[503473Series](#)

Mates With

[503471 PCB Receptacle](#)

Use With

[503485 Crimp Terminal](#)