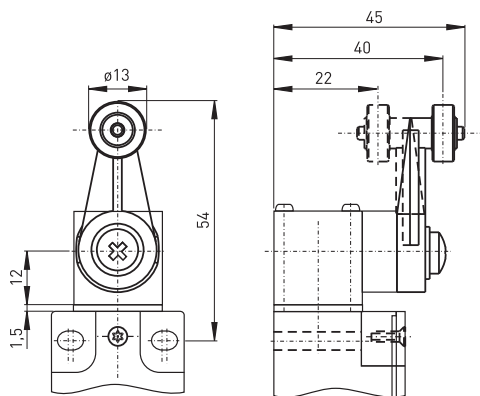


Ex position switches with safety function // EEx 95 Roller lever D

Features/Options

- Ex zone 1 and 2, as well as 21 and 22
- Thermoplastic enclosure
- Design according to DIN EN 50 047
- Wiring compartment
- Double insulation
- Available with overlapping contacts
- Actuator heads can be repositioned in 4 x 90° steps
- Angle of offset roller lever can be adjusted in 10° steps
- With gold-plated contacts available on request
- Special version only for equipment category 3D, available for dust Ex zone 22
- Lever angle adjustable in 10° steps
- Wear-resistant thermoplastic roller
- Actuator heads can be repositioned in 4 x 90° steps
- Metal roller available on request

Dimensions



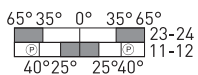
Technical data

Errata and technical changes reserved.

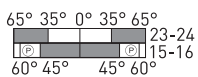
Contact variants

Slow action

1 NC/1 NO contact
EEx 95 D 10/1S



1 NC/1 NO contact with
overlapping
EEx 95 D UE



Ex position switches with safety function // EEx 95 Roller lever D

Slow action

2 NC contacts

EEx 95 D 20

