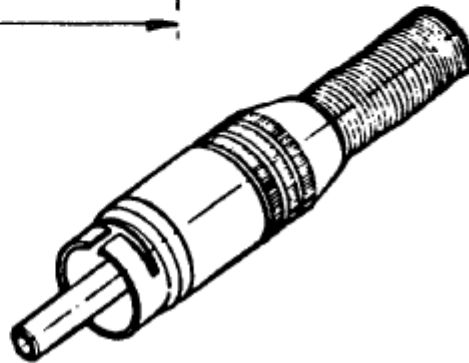
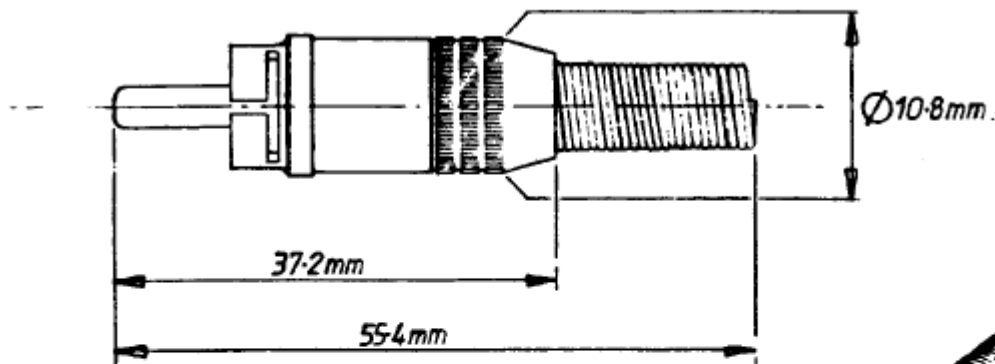


Datasheet

RS Assorted Colours Colour Coding Ring For Use With Phono Connector

RS Stock number [458-184](#)



Specification

Open ended centre contact

Ground contact with unique 'T' shape slot for maximum contact area

Internal cable clamp for secure cable connection

Spring strain relief

Attractive body styling

Max cable size 5.5mm

Optional colour coding rings for easy identification