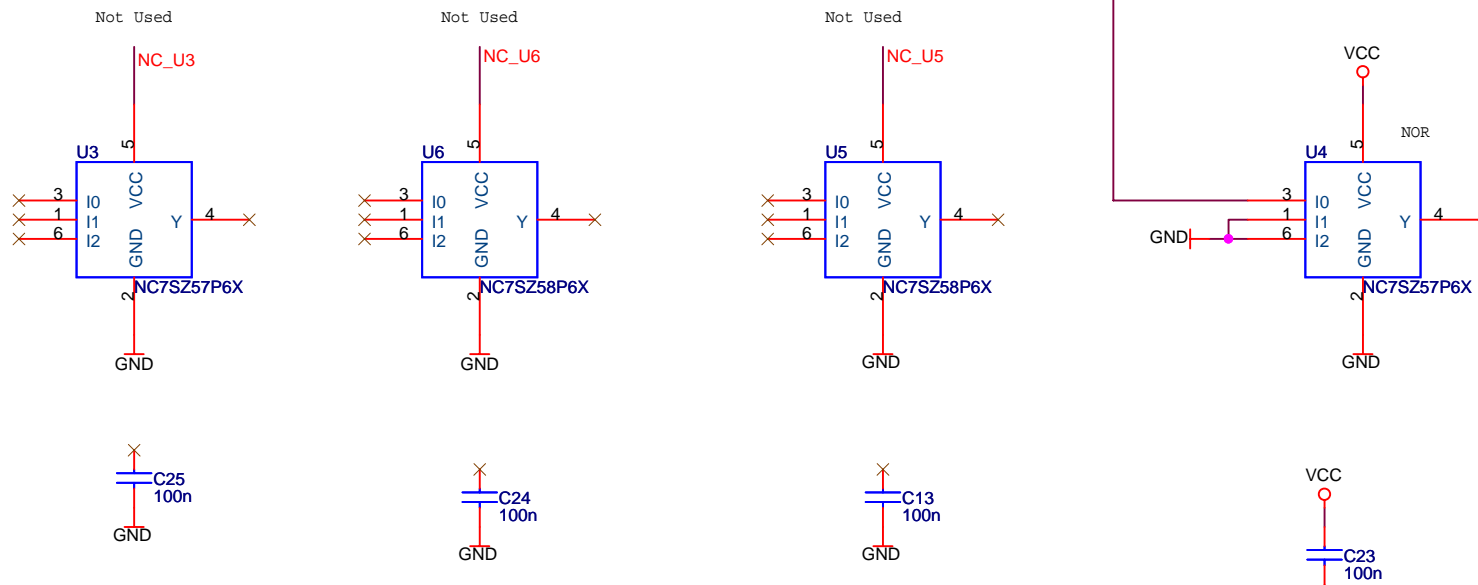
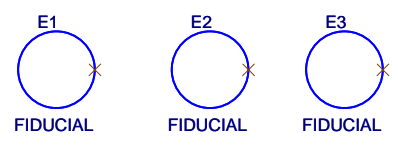
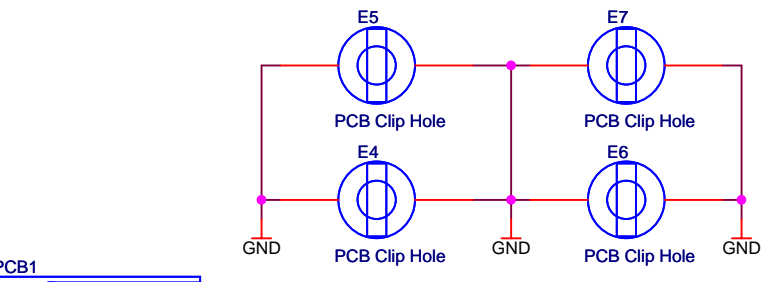
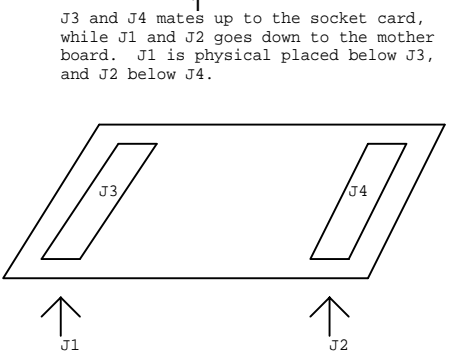
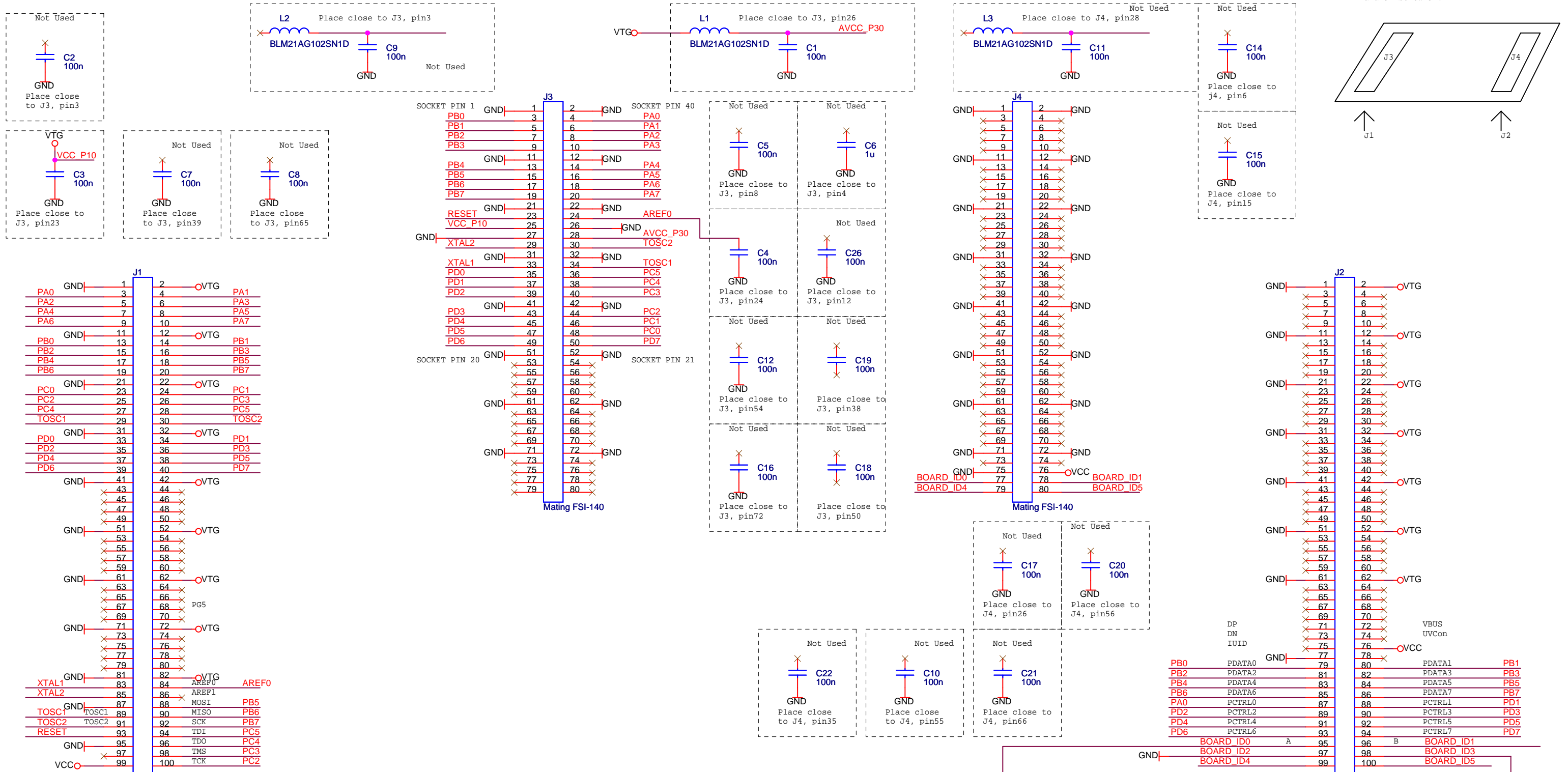


STK600-RC040M-5 RC for DIP40 socket



PA0	PA1	PA2	PA3	PA4	PA5	PA6	PA7
PB0	PB1	PB2	PB3	PB4	PB5	PB6	PB7
PC0	PC1	PC2	PC3	PC4	PC5	PC6	PC7
PD0	PD1	PD2	PD3	PD4	PD5	PD6	PD7
PDATA0	PDATA1	PDATA2	PDATA3	PDATA4	PDATA5	PDATA6	PDATA7
PCTRL0	PCTRL1	PCTRL2	PCTRL3	PCTRL4	PCTRL5	PCTRL6	PCTRL7
BOARD_ID0	BOARD_ID1	BOARD_ID2	BOARD_ID3	BOARD_ID4	BOARD_ID5		

<Variant Name>

ATMEL Norway AS
Vestre Rosten 79
N-7075 TILLER
Norway

ATMEL

Title	STK600 RouterCard RC040M-5	Rev	B
Size	A3	Document Number	<Doc>
Date:	Wednesday, March 14, 2007	Sheet	1 of 1