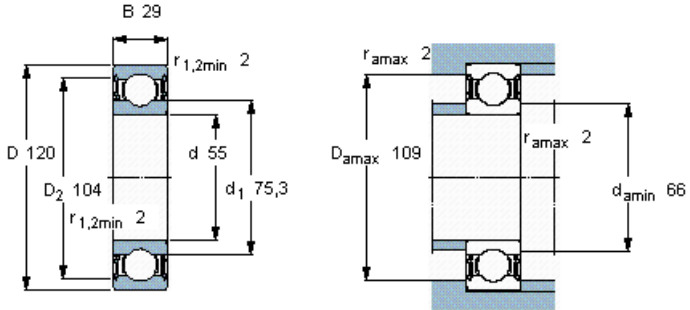


Deep groove ball bearings, single row

Principal dimensions			Basic load ratings		Fatigue load limit P_u	Speed ratings		Mass	Designation
d	D	B	dynamic	static		Reference speed	Limiting speed		
mm			kN	C_0	kN	r/min		kg	-
55	120	29	74,1	45	1,9	-	3800	1,35	6311-2RS1 *



Calculation factors

$k_r = 0,03$
 $f_0 = 13$