

RF-12P1N8AAD00

Order No.: 1607233

**Commercial data**

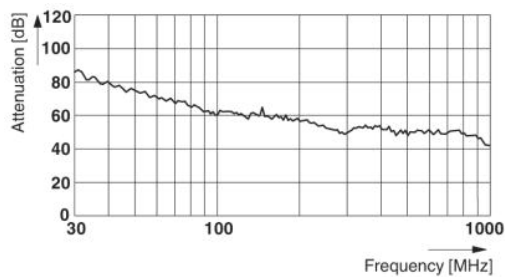
EAN	4046356175012
Pack	16 pcs.
Customs tariff	85366990
Weight/Piece	0.1886 KG
Catalog page information	Page 55 (PC-2009)

Product notesWEEE/RoHS-compliant since:
01/01/2003

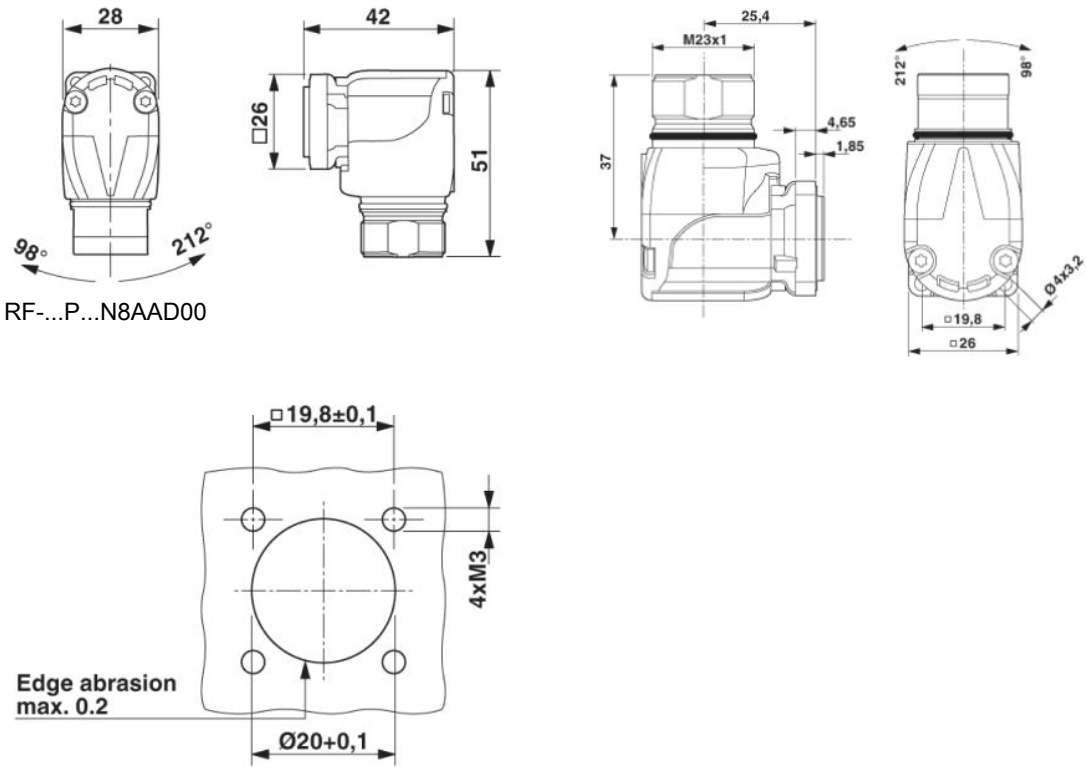
<http://www.download.phoenixcontact.com>
Please note that the data given here has been taken from the online catalog. For comprehensive information and data, please refer to the user documentation. The General Terms and Conditions of Use apply to Internet downloads.

Diagrams/Drawings

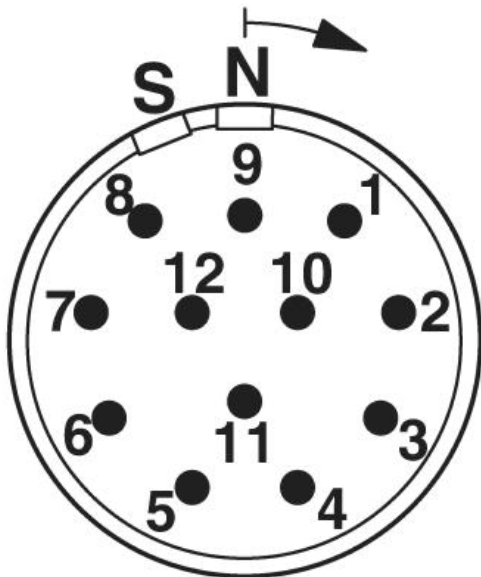
Diagram



Dimensioned drawing



Schematic diagram



Address

PHOENIX CONTACT Inc., USA
586 Fulling Mill Road
Middletown, PA 17057, USA
Phone (800) 888-7388
Fax (717) 944-1625
<http://www.phoenixcon.com>



© 2010 Phoenix Contact
Technical modifications reserved;