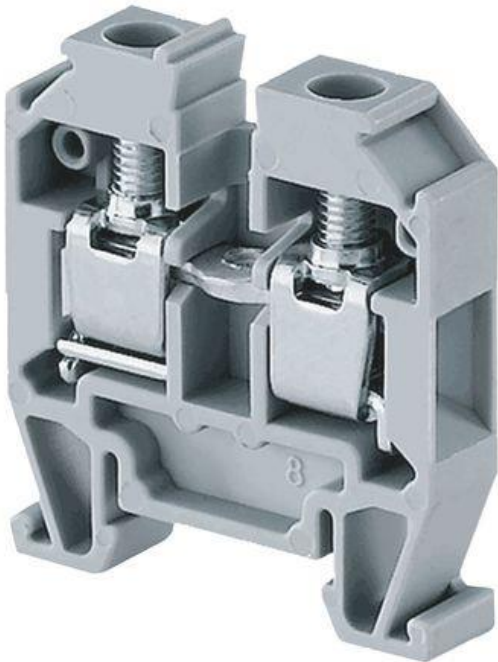


**Professionally approved products.**

## **Datasheet**

# **Non-Fused DIN Rail Terminal, 32A, 500 V, Grey ,Screw Clamp Termination, 22 → 10 AWG**

RS Stock 796-0987



## **Specifications**

4 sq.mm Micro Terminal Blocks. These Terminal Blocks are extremely compact and are used in applications with space constraints

## Professionally approved products.

# Datasheet

### TECHNICAL DATA

Rated Voltage	500 V
Rated Current	32 A
Tightening Torque	0.5 Nm
Housing Material	Polyamide
Comparative Tracking Index	1
Standard Colour	Grey
Type of Connection	Screw Clamp
Product Function	Micro/Mini
Wire Entry Orientation	Side Entry
Mounting Possibility	DIN 15 Rail
Screw Size	M3
Operated by	Screwdriver
Rated Surge Voltage	4 KV
Pollution Degree	3

### CONNECTION DATA

Conductor Cross Section Stranded min.	0.2 mm <sup>2</sup>
Conductor Cross Section AWG/Kcmil min	22 AWG
Conductor Cross Section AWG/Kcmil max	10 AWG
Conductor Cross Section Stranded with Ferrule/Lug min	0.2 mm <sup>2</sup>
Conductor Cross Section Stranded with Ferrule/Lug max	4.0 mm <sup>2</sup>
2 Conductors with same Cross Section Stranded min	0.2 mm <sup>2</sup>
2 Conductor with same Cross Section Stranded max	2.5 mm <sup>2</sup>
Conductor Cross Section Solid min	0.2 mm <sup>2</sup>
Conductor Cross Section Solid max	6.0 mm <sup>2</sup>
2 Conductors with same Cross Section Stranded with TWIN Ferrule/Lug min	0.2 mm <sup>2</sup>
2 Conductor with same Cross Section Stranded with TWIN Ferrule/Lug max	2.5 mm <sup>2</sup>
Stripping Length	9 mm
Internal Cylindrical Gauge	A4