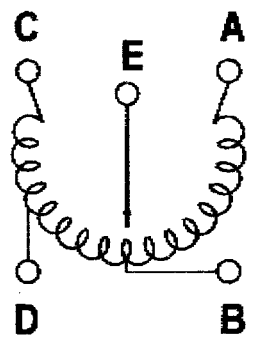
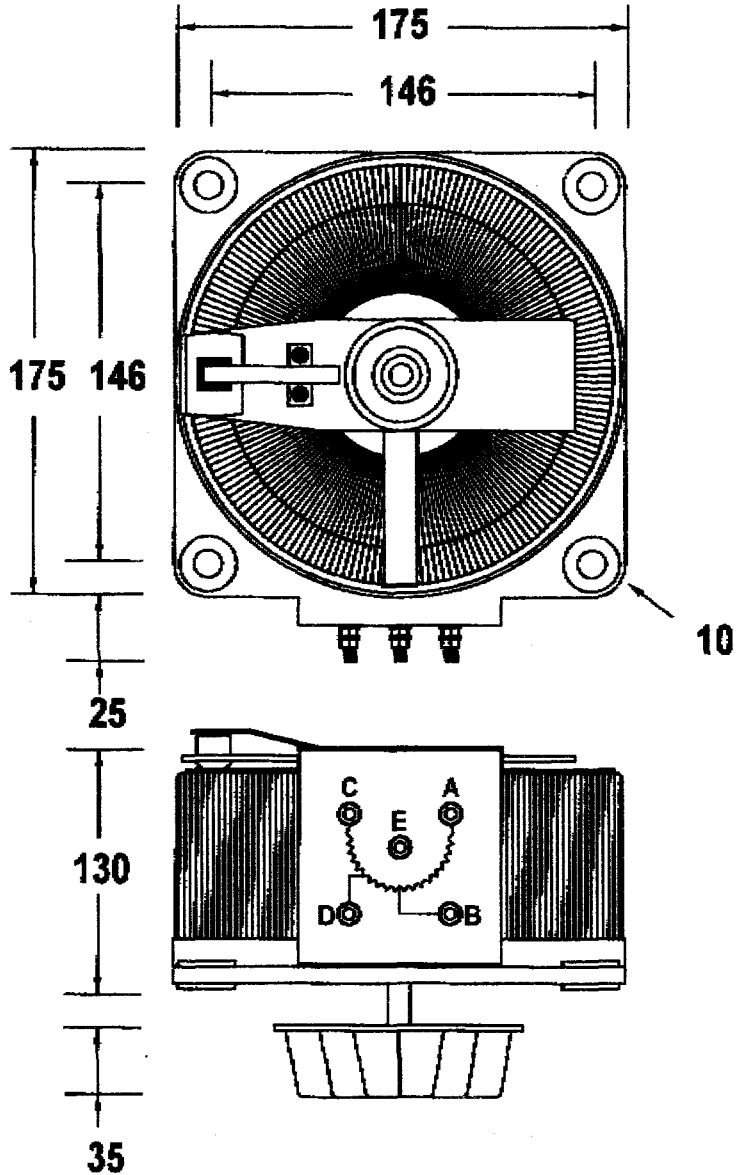


OPEN STYLE VARIABLE TRANSFORMERS



**INPUT 240 V AT A-C OR A-D
OUTPUT 0-240 OR 0-270 AT A-E**

CONNECTION DIAGRAM

**TYPE CMV 8F-1 RATING 8 AMP
WEIGHT KGS**

REV. No	4	
	3	
	2	
	1	

CARROLL & REYNELL LTD
ELECTRICAL ENGINEERS
TEL. 01642 617406

TITLE
**R S COMPONENTS
VARIABLE TRANSFORMER
TYPE CMV8F-1**

DRAWN	APPROVED	DATE	SCALE
RWC		2/3/00	NTS
DRAWING No		REV	PAGE
347-3625		0	