



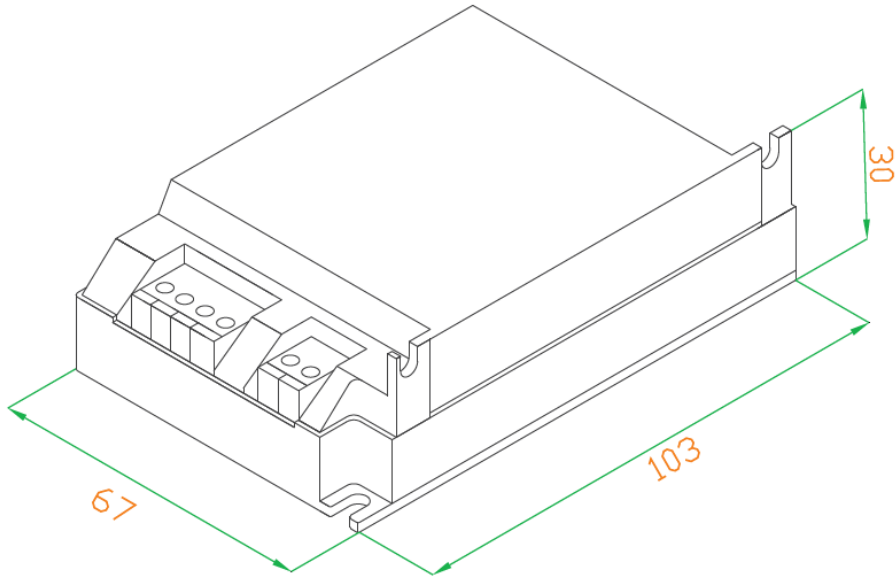
CE DALI

Features:

- Dali dimmable
- Constant current and constant voltage design
- Protections: Short circuit/ Overload/ Over voltage
- Built-in PFC function (PFC>0.95)
- Cooling by free air convection
- Up to 80% efficiency
- Fully isolated, delivering up to 40W of power
- Dali control standard IEC62386
- Dali control input <2mA, 1-100% logarithmic dimming range

Model No.	777-2989	777-2998
Input Voltage Range	220-240VAC	
AC Frequency	50-60Hz	
Output Mode	Constant Voltage	
Output Current	0-3.0A	0-1.5A
Output Voltage	12V	24V
Output Power	40W Max	
Power Factor	>0.95	
Efficiency	>80%	
Operating Temperature	-30°C+45°C	
Relative Humidity	5-95%	
Isolation Voltage	In/ Out 3000VAC	
Vibration	5-55Hz/ 2g, 30minutes	
EMI	EN55022, EN55015 Class B	
Safety	EN61347-1, EN61347-2-13	
Electromagnetic Immunity	EN61547, EN55024, EN61000-4-2, 3, 4, 6, 8, 11	
Harmonic Current Emissions	EN61000-3-2, EN61000-3-3	
Dimensions (mm)	103x 67x 30	

Dimensions Chart(mm)



Wiring Schematic

