

## DETAILS

<b>Product Number</b>	CA14129_TATIANA-1X4-B
<b>Family</b>	Tatiana
<b>Type</b>	Lens
<b>Color</b>	clear
<b>Diameter</b>	102x25 mm
<b>Height</b>	7,8 mm
<b>Style</b>	rectang
<b>Optic Material</b>	PMMA
<b>Holder Material</b>	
<b>Fastening</b>	pin, tape
<b>Status</b>	ready
<b>ROHS Compliant</b>	Yes
<b>Date Updated</b>	17/06/2015

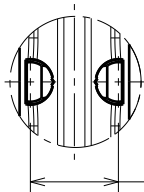
## OPTICAL PROPERTIES

LED	Viewing Angle	Light Beam	Efficiency	cd/lm	Connector
XM-L2	144+62 deg	Streetligh...	90 %	0.540	-



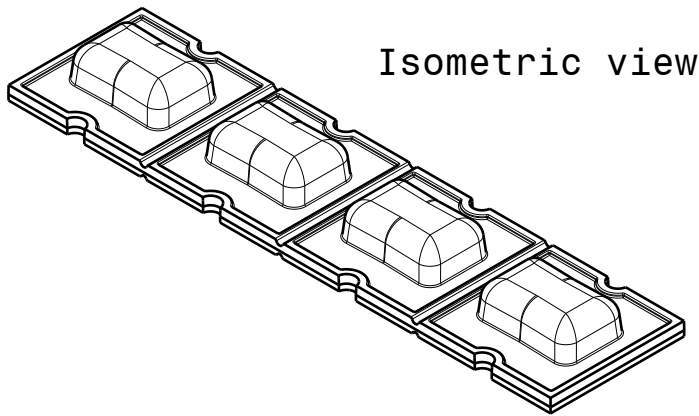
4

4

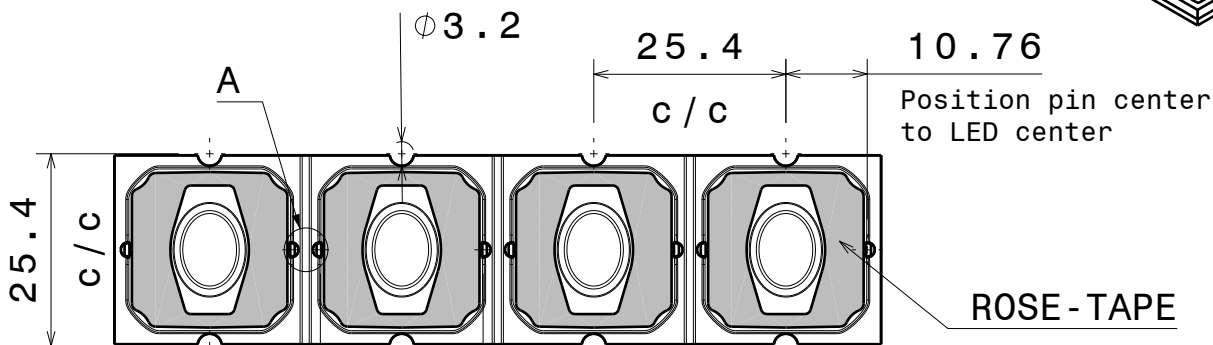


3.88

Detail A



Isometric view



25.4  
c/c

3.2

25.4  
c/c

10.76

Position pin center  
to LED center

ROSE-TAPE

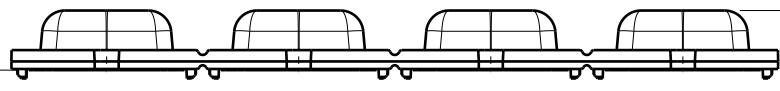
21.52  
c/c

Bottom view

3

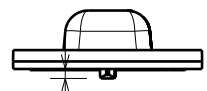
3

0.15



Right view

7.7



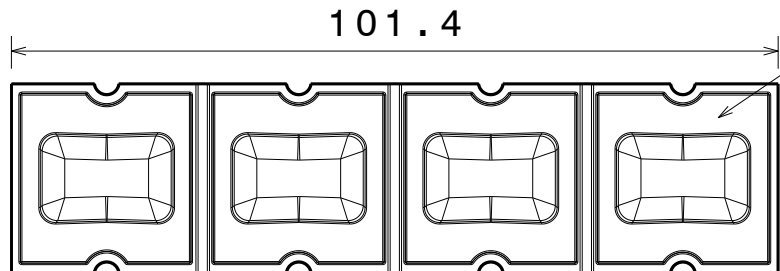
Front view

2.5

1.25

2

2



101.4

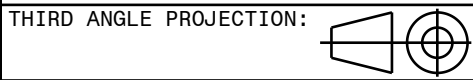
25

Top view

C14128\_TATIANA-1X4-B

Tolerances if not otherwise shown  
 According to DIN ISO 2768-1  
 Linear measures: class C  
 According to DIN ISO 2768-2  
 Form and position: class L

**LEDiL** LediL Oy  
 Salorankatu 10  
 FIN 24240 SALO  
 Finland



DRAWING TITLE  
**CA14129\_TATIANA-1X4-B**

This drawing is the property  
 of LEDiL Oy. It may not be  
 reproduced, copied or  
 communicated without a written  
 agreement with LEDiL Oy."

SIZE	PART NUMBER		
A4	Mechanicalmodel		

SCALE	1:1	WEIGHT	-	SHEET	1/1
-------	-----	--------	---	-------	-----

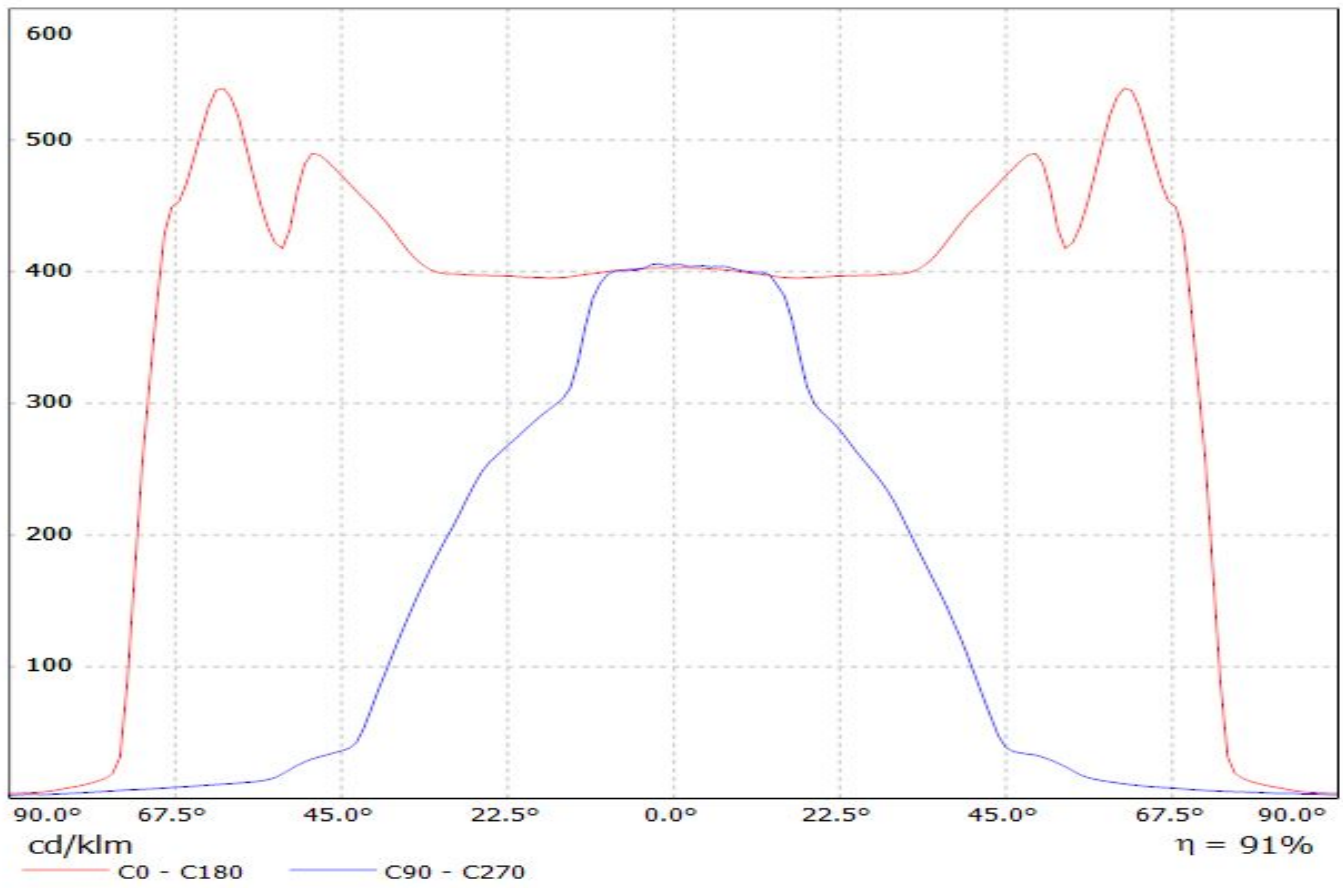
1

1

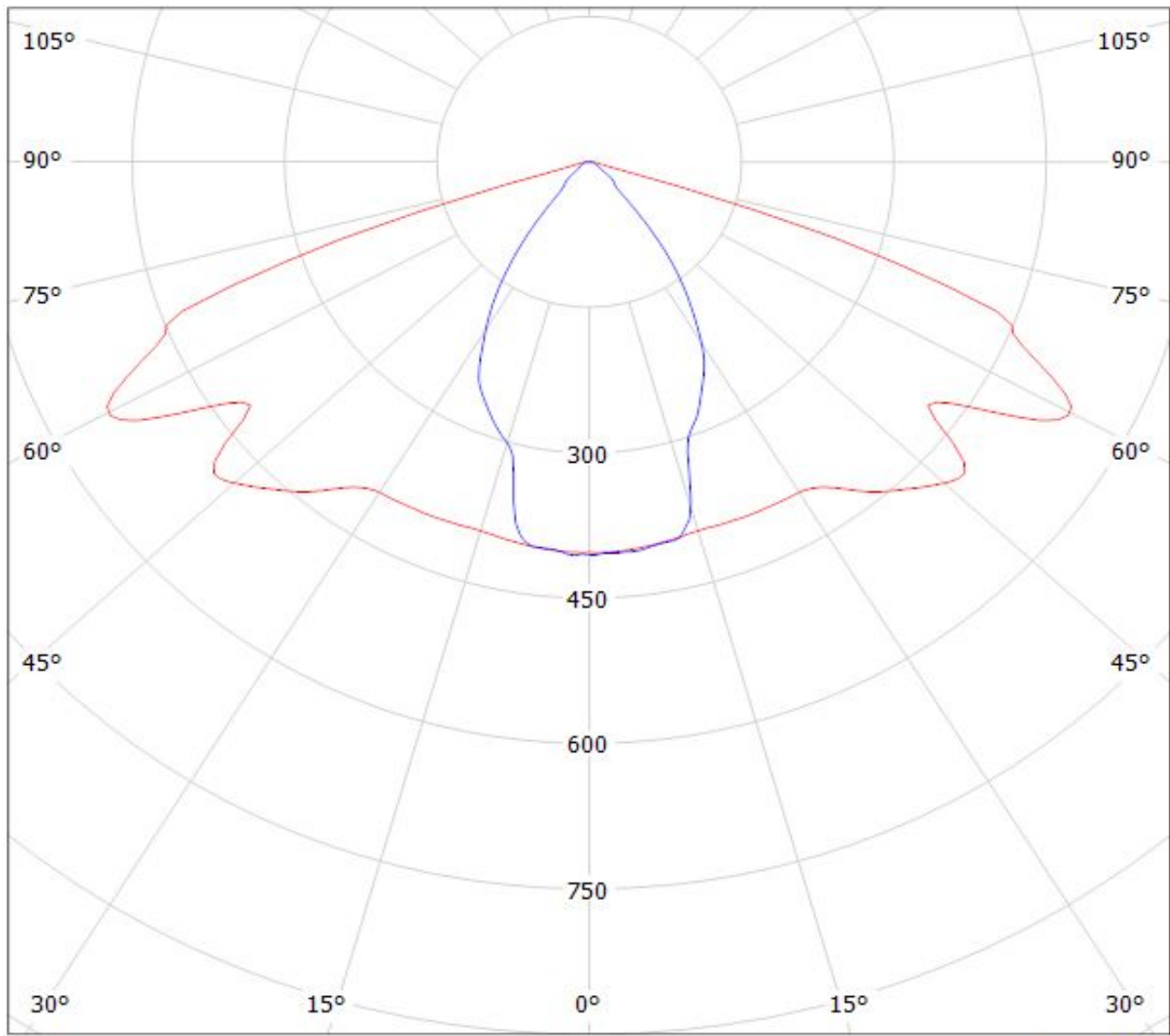
D

A

Luminaire: LEDiL Oy CA14129\_TATIANA-1X4-B\_(XM-L2)\_4  
Lamps: 1 x XM-L2\_(TATIANA)\_350.733lm@250mA\_P=2.84023W\_I=249.8mA



Luminaire: LEDiL Oy CA14129\_TATIANA-1X4-B\_(XM-L2)\_4  
Lamps: 1 x XM-L2\_(TATIANA)\_350.733lm@250mA\_P=2.84023W\_I=249.8mA



cd/klm

— C0 - C180    — C90 - C270

$\eta = 91\%$

**NOTE: The typical divergence will be changed by different color, chip size and chip position tolerance. The typical total divergence is the full angle measured where the luminous intensity is half of the peak value.**