



ENGLISH

Datasheet

Aluminium Enclosure, IP66, Flanged, 139.6 x 63.8 x 55mm

RS Stock number 621-4867



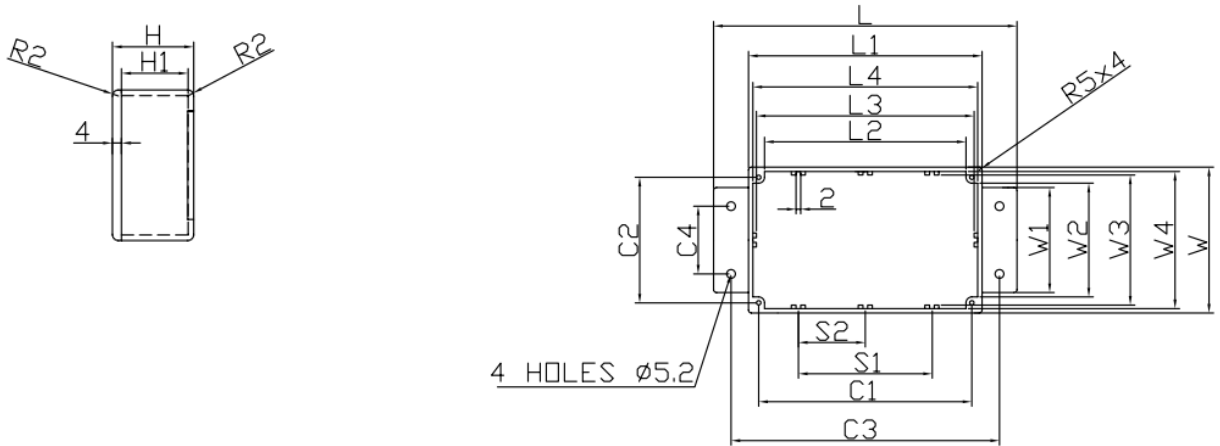
Description:

IP66 Flanged - Nylon Coated

- Aluminium alloy LM24 to BS 1490 with 75-100 microns thick nylon coating
- Self adhesive neoprene seal included to provide IP66 protection
- Coating not affected by drilling or machining

Specifications:

Colour:	Grey
Body Material:	Die Cast Aluminium
External Dimensions:	139.6 (length) x 63.8 (width) x 55 (height)mm
IP Rating:	IP66
Lid Colour:	Grey
Flanged:	Yes



L	L1	W	W1	H	C1	C2	C3	C4	S1	S2	L2	L3	L4	W2	W3	W4	H1
139.6	114.6	63.8	44.9	55.0	104.6	54.3	127.1	30.0	60.1	30.0	98.1	107.3	111.4	47.5	56.5	60.7	49.1