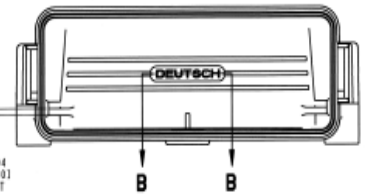
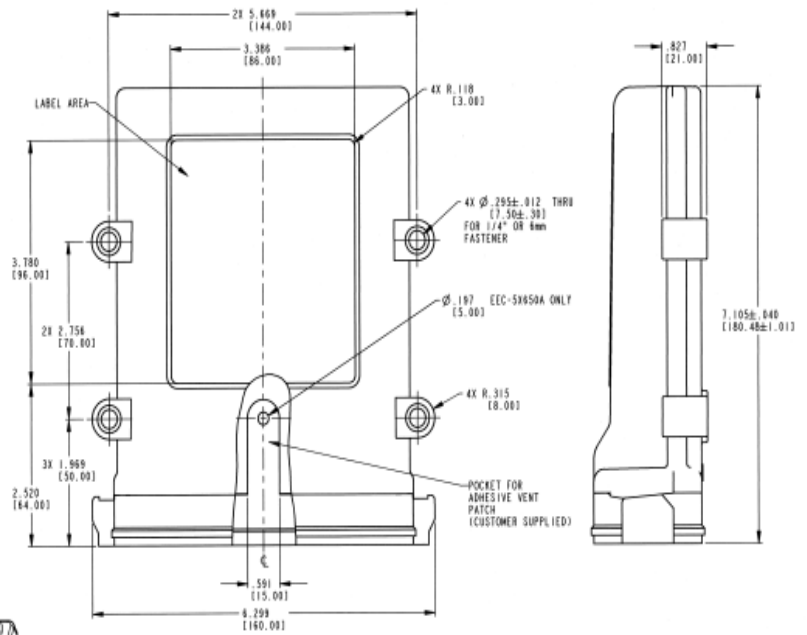
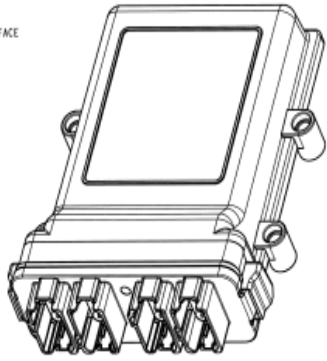
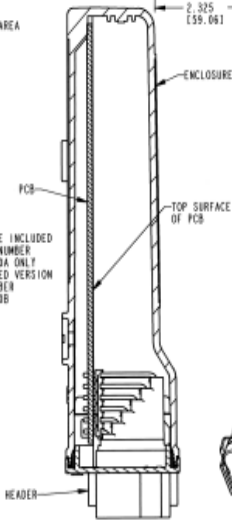
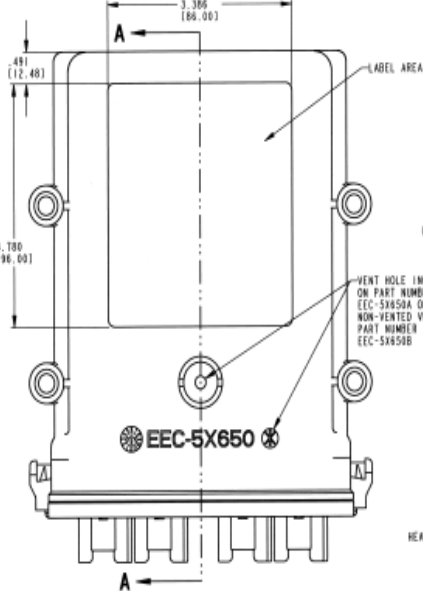
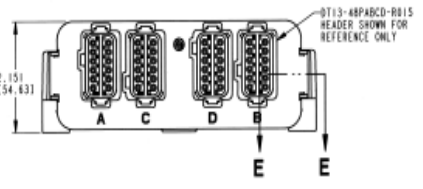
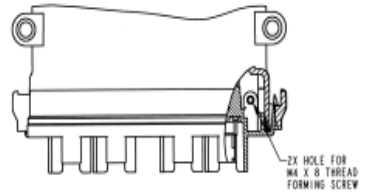
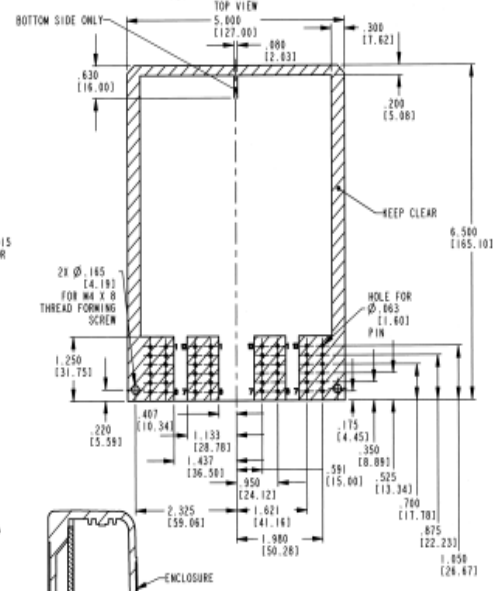


REV. NO.		REVISIONS		
REV. NO.	DESCRIPTION	DATE	APPROVED	
NC	NEW RELEASE PER I.O. P20121	02-07-00	<i>[Signature]</i>	

CIRCUIT BOARD HOLE LOCATIONS AND KEEP CLEAR AREAS FOR DT13-8P-R015

BOARD THICKNESS IN KEEP CLEAR AREA TO BE .093±.004.
 MAX. COMPONENT HEIGHT OVER BOARD: .902(25.20).
 MAX. COMPONENT HEIGHT UNDER BOARD: .157(4.00).
 ALL DIMENSIONS REFERENCE TOP VIEW



- THIS ENCLOSURE MATES WITH DT13-8P-R015 AND -6R02 HEADERS. (A = PIN ARR. 12,24,36,48); (B = KEY ARR. A,B,C,D).
- MATERIAL: NYLON 6/6 BLACK.
- DIMENSIONS ARE ±.025 (1.64) UNLESS OTHERWISE SPECIFIED.
- DIMENSIONS ARE IN INCHES (MILLIMETERS).

SECTION A-A

SECTION B-B

SIGNATURE & DATE	PCB ENCLOSURE SHOWN WITH 48 PIN HEADER VENTED AND NON-VENTED BY SERIES	EP 208
DR A. WESSINGER 02/17/00		3850 INDUSTRIAL AVE. REMET, CA 92545
CHK <i>[Signature]</i>		DEUTSCH
PC <i>[Signature]</i>		EEC-5X650A/B
APPRO <i>[Signature]</i>	ENVELOPE	00000000 SHEET 1 OF 1
SCALE NONE WT		