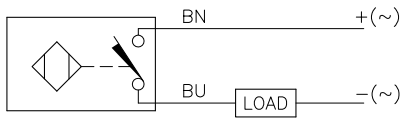


WIRING DIAGRAM

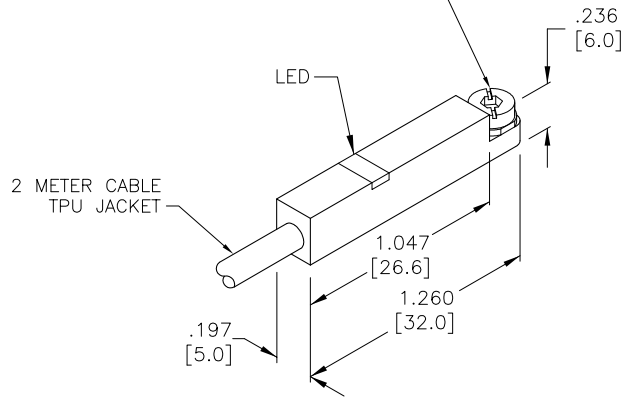


OUTPUT: ADZ71X  
(NON-POLARIZED)

SPECIFICATIONS

OPERATING VOLTAGE	3-140 VAC, 4-200 VDC
RIPPLE	≤10%
DIFFERENTIAL TRAVEL (HYSTERESIS)	≤1 mm (DEPENDS ON MAGNET)
OUTPUT FUNCTION	NORMALLY OPEN 2-WIRE DC REED CONTACT
TTL COMPATIBLE	NO
CONTINUOUS LOAD CURRENT	≤100 mA (AC & DC)
MAX. SWITCHING CAPACITY	≤10 W
NO-LOAD CURRENT	≤0 mA
OPERATING TEMPERATURE	-25°C to +70°C (-13°F to +158°F)
ENCLOSURE	MEETS NEMA 1, 3, 4, 6, 13 AND IEC IP67
SHOCK	30 g, 11 ms
VIBRATION	55 Hz, 1 mm AMPLITUDE (IN ALL 3 PLANES)
LED FUNCTION	YELLOW: OUTPUT ENERGIZED
SWITCHING FREQUENCY	500 Hz
REPEATABILITY (MIN.)	≥ ±0.1mm
TEMPERATURE DRIFT	≤0.1 mm
MAX. APPROACH VELOCITY	≤10 m/second
MAX. VOLTAGE DROP	≤3 V
SHORT CIRCUIT PROTECTION	NO
WIRE BREAK PROTECTION	NO
REVERSE POLARITY PROTECTION	NO

USE 2.5mm ALLEN WRENCH OR STRAIGHT BLADE SCREWDIRVER



RELATED DOCUMENTS		3RD ANGLE PROJECTION		THIS DRAWING IS PROPERTY OF TURCK INC. USE OF THIS DOCUMENT WITHOUT WRITTEN PERMISSION IS PROHIBITED.		 High Technology Sensors and Automation Controls		3000 CAMPUS DRIVE MINNEAPOLIS, MN 55441 1-800-544-7769 (763) 553-7300 (763) 553-0708 fax turck.com	
1. 2. 3. 4.				DRFT	RDS	DATE	02/11/03	DESCRIPTION	
MATERIAL		ALL DIMENSIONS DISPLAYED ON THIS DRAWING ARE FOR REFERENCE ONLY		DSGN		SCALE	1=1.0	BR-INT-ADZ71X	
FINISH		CONTACT TURCK FOR MORE INFORMATION		UNIT OF MEASUREMENT			IDENTIFICATION NO.		REV
				<b>INCH [ MILLIMETER ]</b>			S4700510		C
C		DRAWING PROCESSED AS PART OF ECO 33971		CBM		04/06/11		33971	
REV		DESCRIPTION		BY		DATE		ECO NO.	
								DO NOT SCALE THIS DRAWING	
						FILE: S4700510		SHEET 1 OF 1	