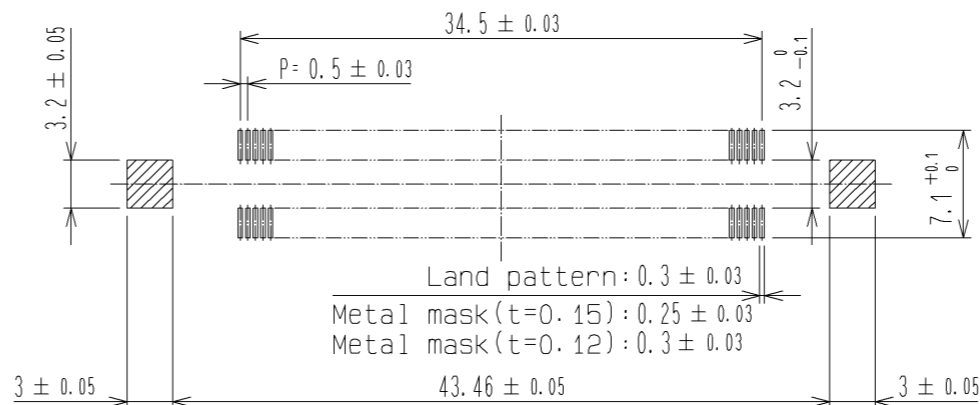
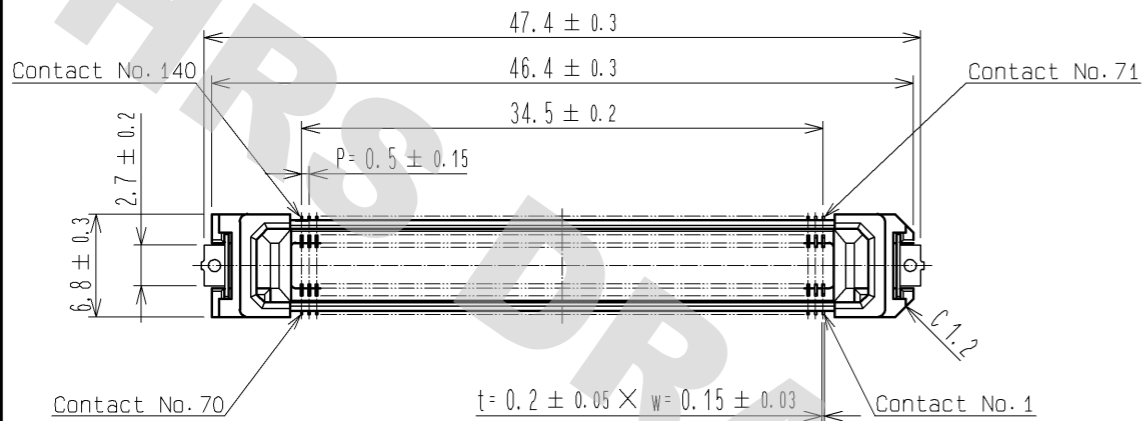
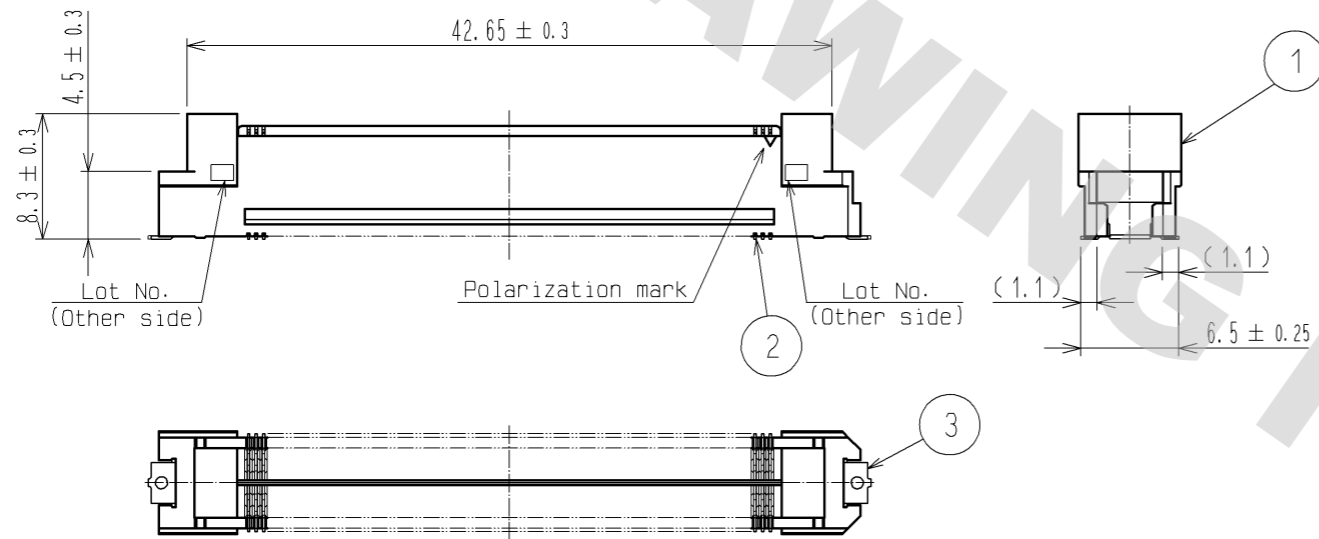


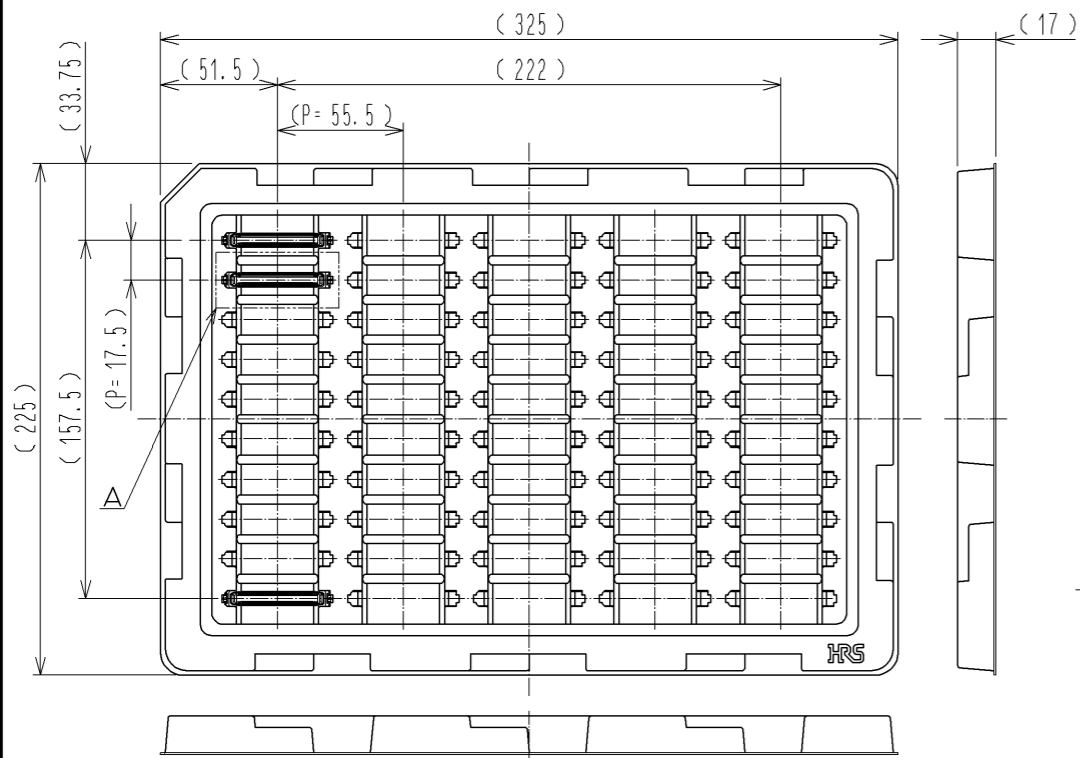
Recommended land pattern dimension of PCB



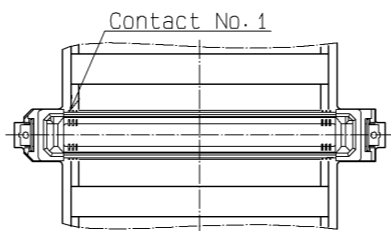
Drawing for mating (No scale)



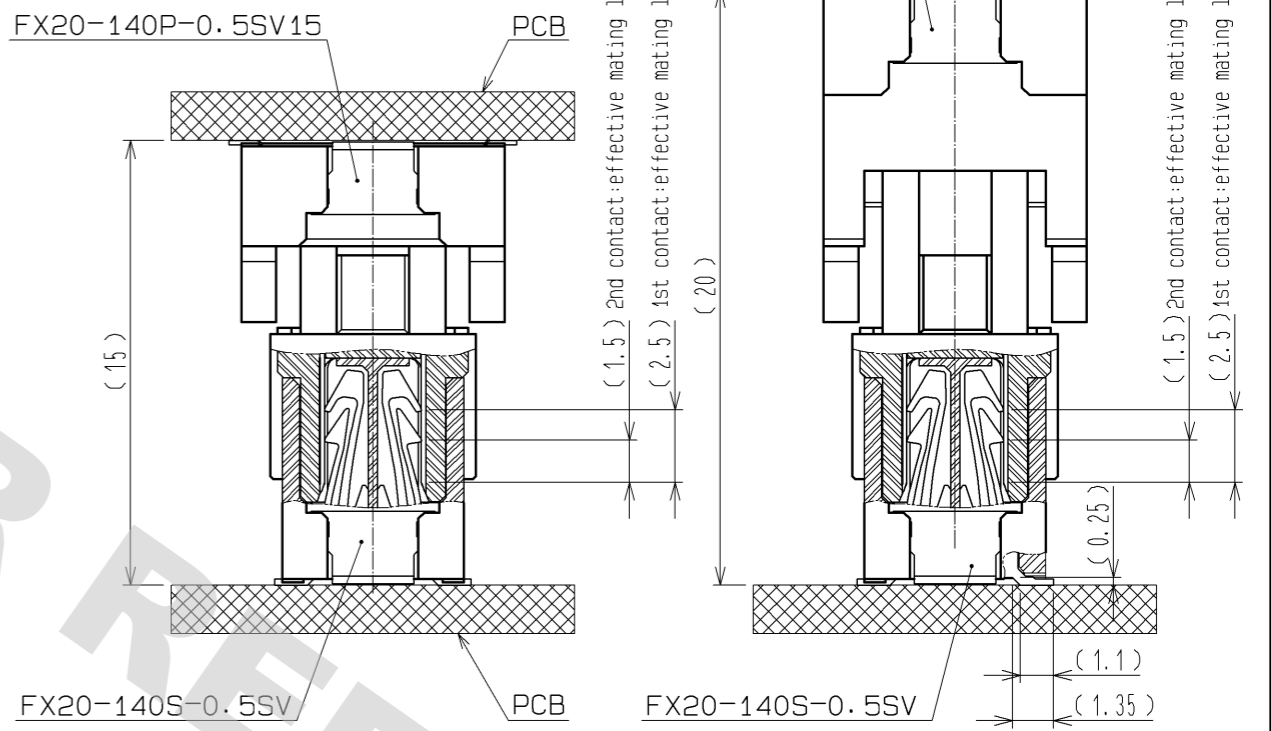
2 Drawing for packing (No scale)



A (1:1)



Drawing for mating (No scale)



- 1 Lead CO-Planarity is 0.1mm MAX.
- 2 This is packaged in tray. (50pcs/tray)
- 3 Blemish and hit mark can be occurred through out the manufacturing process which doesn't affect quality level.
- 4 Please note that excessive wrenching force could damage this connector. Please refer to the guideline for detailed regulations of the mating method.
- 5 The dimensions in parentheses are for references.

1	LCP	BLACK	UL94V-0	3	BRASS	TIN-PLATING 1 μm
NO.	MATERIAL	FINISH	REMARKS	NO.	MATERIAL	FINISH
				2	PHOSPHOR BRONZE	CONTACT AREA: GOLD 0.1 μm
						LEAD AREA: GOLD 0.03 μm
						UNDER PLATING: NICKEL 1 μm
UNITS	⊙	SCALE	COUNT	DESCRIPTION OF REVISIONS	DESIGNED	CHECKED
mm		2 : 1	△			
APPROVED : HS. OKAWA 13.10.07				DRAWING NO. EDC3-336343-00		
CHECKED : KI. HIROKAWA 13.10.07				PART NO. FX20-140S-0.5SV		
DESIGNED : TS. OONO 13.10.07				CODE NO. CL570-1106-9-00		
DRAWN : TS. OONO 13.10.07						

DRAWING FOR REFERENCE: This is subject to change without notice 12/05/2013