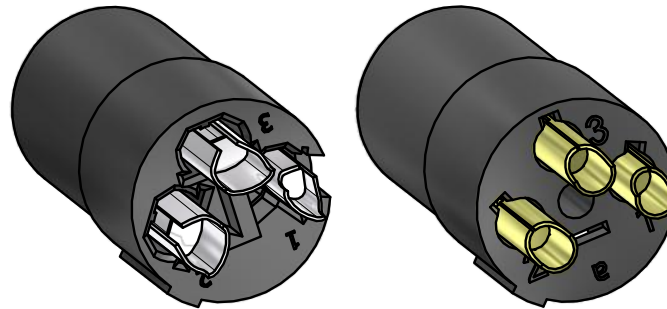
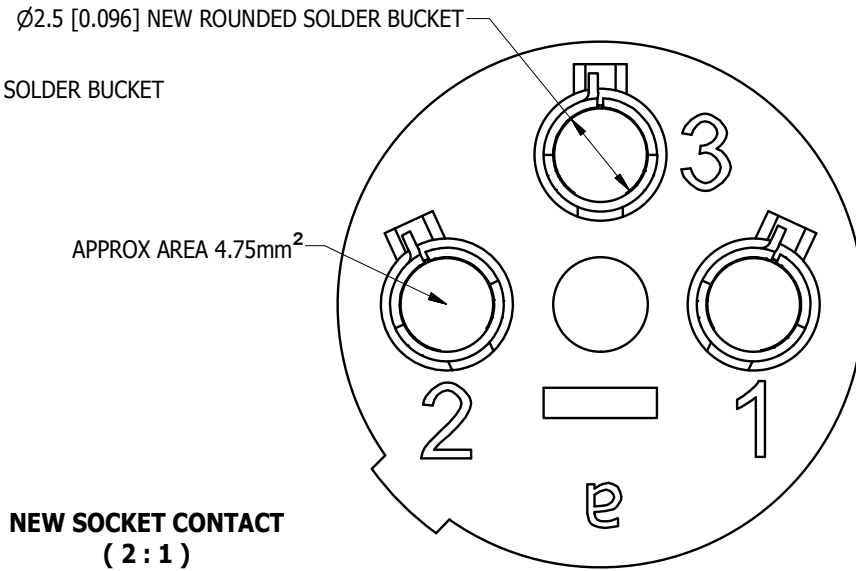
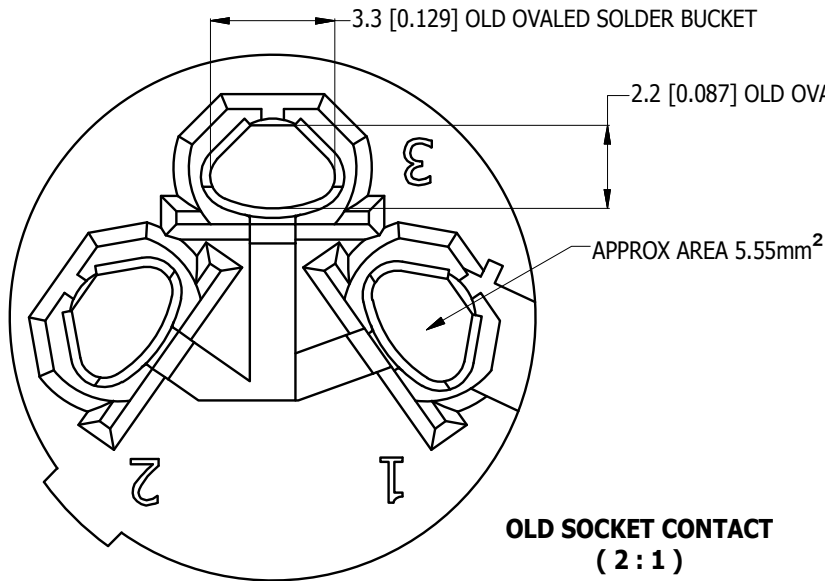


LEGEND  = KEY PRODUCT CHARACTERISTICS

REVISION HISTORY

REV	DESCRIPTION	DATE	BY	ECN
0	FIRST ISSUE	11/11/15	MH	----



NOTES ON THE NEW DESIGNED SOCKET CONTACT:

1. OLD OVALED SOLDER BUCKET IS REPLACED BY NEW ROUNDED SOLDER BUCKET,
2. NEW ROUNDED SOLDER BUCKET ELIMINATED THE EXTRA GAP AT BOTH ENDS OF THE OVALED SHAPE IN OLD SOLDER BUCKET.
3. NEW ROUNDED SOLDER BUCKET REQUIRE LESS SOLDER APPLIED REQUIRED TO SOLDER JOINS.
4. APPROX AREA REDUCED FROM 5.55mm<sup>2</sup> TO 4.75mm<sup>2</sup>.

UNLESS OTHERWISE SPECIFIED TOLERANCE TO BE	
LINEAR	ANGULAR
X ± 0.5	X' ± 1
X.X ± 0.2	X.X' ± 30'
X.XX ± 0.1	X.XX" ± 15'

BREAK ALL SHARP EDGES AND REMOVE ALL BURRS

DO NOT SCALE

THIS DOCUMENT IS THE PROPERTY OF AMPHENOL AUSTRALIA PTY. LTD. NO PART THEREOF MAY BE REPRODUCED AND USED WITHOUT THE PRIOR WRITTEN CONSENT OF THE OWNER

MATERIAL: **N/A**

FINISH: **N/A**

DRN: M.H DATE: 11/11/15

CKD: MH DATE: 11/11/15

APP'D: MH DATE: 11/11/15

**Amphenol**

**Amphenol Australia Pty.Ltd,**  
22 Industry Boulevard, Carrum Downs, VIC 3201

TITLE:  
**OLD & NEW SOCKET CONTACTS COMPARISON**

PART No.  
**N/A**

DRAWING No.  
**51560083-132**

SHEET  
**1/1**

ITEM	PART NUMBER	DESCRIPTION	QTY	DIMENSIONS IN MILLIMETRES	THIRD ANGLE PROJECTION	SCALE: <b>5:1</b>	SIZE: <b>A4</b>	CAD FILE	51560083-132	1
------	-------------	-------------	-----	---------------------------	------------------------	-------------------	-----------------	----------	--------------	---