

## Base strip - MSTBV 2,5/14-GEH-5,08 - 1808586

Please be informed that the data shown in this PDF Document is generated from our Online Catalog. Please find the complete data in the user's documentation. Our General Terms of Use for Downloads are valid (<http://phoenixcontact.com/download>)

Header, Nominal current: 12 A, Rated voltage (III/2): 320 V, Number of positions: 14, Pitch: 5.08 mm, Color: green, Contact surface: Tin, Mounting: Soldering




The figure shows a 10-position version of the product

### Why buy this product

- Versions with and without side panel
- Other pin lengths available on request
- Plug-in direction parallel and vertical to the PCB
- Standard pin strip for 320 V (III/2)



### Key commercial data

|                                      |                                                                                                         |
|--------------------------------------|---------------------------------------------------------------------------------------------------------|
| Packing unit                         | 50 pc                                                                                                   |
| GTIN                                 | <br>4 017918 047092 |
| Weight per Piece (excluding packing) | 6.63 g                                                                                                  |
| Custom tariff number                 | 85366990                                                                                                |
| Country of origin                    | Germany                                                                                                 |
| Note                                 | Made to Order (non-returnable)                                                                          |

### Technical data

#### Dimensions

|                |          |
|----------------|----------|
| Length         | 8.6 mm   |
| Pitch          | 5.08 mm  |
| Dimension a    | 66.04 mm |
| Pin dimensions | 1 x 1 mm |
| Hole diameter  | 1.4 mm   |

#### General

|                             |                  |
|-----------------------------|------------------|
| Range of articles           | MSTBV 2,5/..-GEH |
| Insulating material group   | IIIa             |
| Rated surge voltage (III/3) | 4 kV             |

## Base strip - MSTBV 2,5/14-GEH-5,08 - 1808586

### Technical data

#### General

|                                         |        |
|-----------------------------------------|--------|
| Rated surge voltage (III/2)             | 4 kV   |
| Rated surge voltage (II/2)              | 4 kV   |
| Rated voltage (III/3)                   | 250 V  |
| Rated voltage (III/2)                   | 320 V  |
| Rated voltage (II/2)                    | 400 V  |
| Connection in acc. with standard        | EN-VDE |
| Nominal current I <sub>N</sub>          | 12 A   |
| Maximum load current                    | 12 A   |
| Insulating material                     | PBT    |
| Inflammability class according to UL 94 | V0     |
| Color                                   | green  |
| Number of positions                     | 14     |

### Classifications

#### eCl@ss

|            |          |
|------------|----------|
| eCl@ss 4.0 | 272607xx |
| eCl@ss 4.1 | 27260701 |
| eCl@ss 5.0 | 27260701 |
| eCl@ss 5.1 | 27260701 |
| eCl@ss 6.0 | 27260704 |
| eCl@ss 7.0 | 27440402 |
| eCl@ss 8.0 | 27440402 |

#### ETIM

|          |          |
|----------|----------|
| ETIM 3.0 | EC001121 |
| ETIM 4.0 | EC002637 |
| ETIM 5.0 | EC002637 |

#### UNSPSC

|               |          |
|---------------|----------|
| UNSPSC 6.01   | 30211810 |
| UNSPSC 7.0901 | 39121409 |
| UNSPSC 11     | 39121409 |
| UNSPSC 12.01  | 39121409 |
| UNSPSC 13.2   | 39121409 |

### Approvals

#### Approvals

---

# Base strip - MSTBV 2,5/14-GEH-5,08 - 1808586

## Approvals

### Approvals

CSA / UL Recognized / VDE Gutachten mit Fertigungsüberwachung / cUL Recognized / IECCE CB Scheme / CCA / EAC / cULus Recognized

### Ex Approvals

### Approvals submitted

### Approval details

|                    |       |       |
|--------------------|-------|-------|
| CSA                |       |       |
|                    | B     | D     |
| Nominal current IN | 12 A  | 10 A  |
| Nominal voltage UN | 300 V | 300 V |

|                    |       |       |
|--------------------|-------|-------|
| UL Recognized      |       |       |
|                    | B     | D     |
| Nominal current IN | 12 A  | 10 A  |
| Nominal voltage UN | 300 V | 300 V |

|                                         |       |
|-----------------------------------------|-------|
| VDE Gutachten mit Fertigungsüberwachung |       |
| Nominal current IN                      | 12 A  |
| Nominal voltage UN                      | 250 V |

|                    |       |       |
|--------------------|-------|-------|
| cUL Recognized     |       |       |
|                    | B     | D     |
| Nominal current IN | 12 A  | 10 A  |
| Nominal voltage UN | 300 V | 300 V |

# Base strip - MSTBV 2,5/14-GEH-5,08 - 1808586

## Approvals

|                    |       |
|--------------------|-------|
| IECEE CB Scheme    |       |
| Nominal current IN | 12 A  |
| Nominal voltage UN | 250 V |

|                    |       |
|--------------------|-------|
| CCA                |       |
| Nominal current IN | 12 A  |
| Nominal voltage UN | 250 V |

|     |  |
|-----|--|
| EAC |  |
|-----|--|

|                  |  |
|------------------|--|
| cULus Recognized |  |
|------------------|--|

## Accessories

### Accessories

#### Coding element

Coding star - CR-MSTB - 1734401



Coding section, inserted into the recess in the header or the inverted plug, red insulating material

#### Labeled terminal marker

Marker card - SK 5,08/3,8:FORTL.ZAHLEN - 0804293



Marker card, Card, white, labeled, Horizontal: Consecutive numbers 1 - 10, 11 - 20, etc. up to 91 - (99)100, Mounting type: Adhesive, for terminal block width: 5.08 mm, Lettering field: 5.08 x 3.8 mm

## Additional products

## Base strip - MSTBV 2,5/14-GEH-5,08 - 1808586

### Accessories

Printed-circuit board connector - MSTBP 2,5/14-ST-5,08 - 1769133

Plug component, Nominal current: 12 A, Rated voltage (III/2): 320 V, Number of positions: 14, Pitch: 5.08 mm, Connection method: Screw connection, Color: green, Contact surface: Tin



Printed-circuit board connector - FRONT-MSTB 2,5/14-ST-5,08 - 1777400

Plug component, Nominal current: 12 A, Rated voltage (III/2): 320 V, Number of positions: 14, Pitch: 5.08 mm, Connection method: Screw connection, Color: green, Contact surface: Tin



Base strip - IC 2,5/14-G-5,08 - 1786527

Header, Nominal current: 12 A, Rated voltage (III/2): 320 V, Number of positions: 14, Pitch: 5.08 mm, Color: green, Contact surface: Tin, Mounting: Soldering



Base strip - ICV 2,5/14-G-5,08 - 1786064

Header, Nominal current: 12 A, Rated voltage (III/2): 320 V, Number of positions: 14, Pitch: 5.08 mm, Color: green, Contact surface: Tin, Mounting: Soldering



Printed-circuit board connector - FKCT 2,5/14-ST-5,08 - 1902233

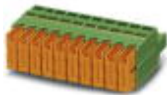
Plug component, Nominal current: 12 A, Rated voltage (III/2): 320 V, Number of positions: 14, Pitch: 5.08 mm, Connection method: Spring-cage connection, Color: green, Contact surface: Tin



## Base strip - MSTBV 2,5/14-GEH-5,08 - 1808586

### Accessories

#### Printed-circuit board connector - QC 1/14-ST-5,08 - 1883828



Plug component, Nominal current: 10 A, Rated voltage (III/2): 630 V, Number of positions: 14, Pitch: 5.08 mm, Connection method: Insulation displacement connection QUICKON, Color: green, Contact surface: Tin

#### Printed-circuit board connector - FKCVR 2,5/14-ST-5,08 - 1874073



Plug component, Nominal current: 12 A, Rated voltage (III/2): 320 V, Number of positions: 14, Pitch: 5.08 mm, Connection method: Spring-cage connection, Color: green, Contact surface: Tin

#### Printed-circuit board connector - FKCVW 2,5/14-ST-5,08 - 1873773



Plug component, Nominal current: 12 A, Rated voltage (III/2): 320 V, Number of positions: 14, Pitch: 5.08 mm, Connection method: Spring-cage connection, Color: green, Contact surface: Tin

#### Printed-circuit board connector - FKC 2,5/14-ST-5,08 - 1873171



Plug component, Nominal current: 12 A, Rated voltage (III/2): 320 V, Number of positions: 14, Pitch: 5.08 mm, Connection method: Spring-cage connection, Color: green, Contact surface: Tin

#### Printed-circuit board connector - MSTBC 2,5/14-STZ-5,08 - 1809624



Plug component, Nominal current: 12 A, Rated voltage (III/2): 320 V, Number of positions: 14, Pitch: 5.08 mm, Connection method: Crimp connection, Color: green, Corresponding female crimp contacts with current [A] and conductor cross section range [mm<sup>2</sup>] data: 10A/MSTBC-MT 0,5-1,0 (3190564); 10A/MSTBC-MT 0,5-1,0 BA (3190645); 12A/MSTBC-MT 1,5-2,5 (3190551); 12A/MSTBC-MT 1,5-2,5 BA (3190658). BA = Bandkontakte

## Base strip - MSTBV 2,5/14-GEH-5,08 - 1808586

### Accessories

#### Printed-circuit board connector - MSTBC 2,5/14-ST-5,08 - 1808939



Plug component, Nominal current: 12 A, Rated voltage (III/2): 320 V, Number of positions: 14, Pitch: 5.08 mm, Connection method: Crimp connection, Color: green, Corresponding female crimp contacts with current [A] and conductor cross section range [mm<sup>2</sup>] data: 10A/MSTBC-MT 0,5-1,0 (3190564); 10A/MSTBC-MT 0,5-1,0 BA (3190645); 12A/MSTBC-MT 1,5-2,5 (3190551); 12A/MSTBC-MT 1,5-2,5 BA (3190658). BA = Bandkontakte

#### Printed-circuit board connector - MVSTBR 2,5/14-ST-5,08 - 1792362



Plug component, Nominal current: 12 A, Rated voltage (III/2): 320 V, Number of positions: 14, Pitch: 5.08 mm, Connection method: Screw connection, Color: green, Contact surface: Tin

#### Printed-circuit board connector - MSTBT 2,5/14-ST-5,08 - 1781108



Plug component, Nominal current: 12 A, Rated voltage (III/2): 320 V, Number of positions: 14, Pitch: 5.08 mm, Connection method: Screw connection, Color: green, Contact surface: Tin

#### Printed-circuit board connector - MVSTBW 2,5/14-ST-5,08 - 1792870



Plug component, Nominal current: 12 A, Rated voltage (III/2): 320 V, Number of positions: 14, Pitch: 5.08 mm, Connection method: Screw connection, Color: green, Contact surface: Tin

#### Printed-circuit board connector - MSTB 2,5/14-STZ-5,08 - 1764264



Plug component, Nominal current: 12 A, Rated voltage (III/2): 320 V, Number of positions: 14, Pitch: 5.08 mm, Connection method: Screw connection, Color: green, Contact surface: Tin

## Base strip - MSTBV 2,5/14-GEH-5,08 - 1808586

### Accessories

Printed-circuit board connector - MSTB 2,5/14-ST-5,08 - 1757132

Plug component, Nominal current: 12 A, Rated voltage (III/2): 320 V, Number of positions: 14, Pitch: 5.08 mm, Connection method: Screw connection, Color: green, Contact surface: Tin



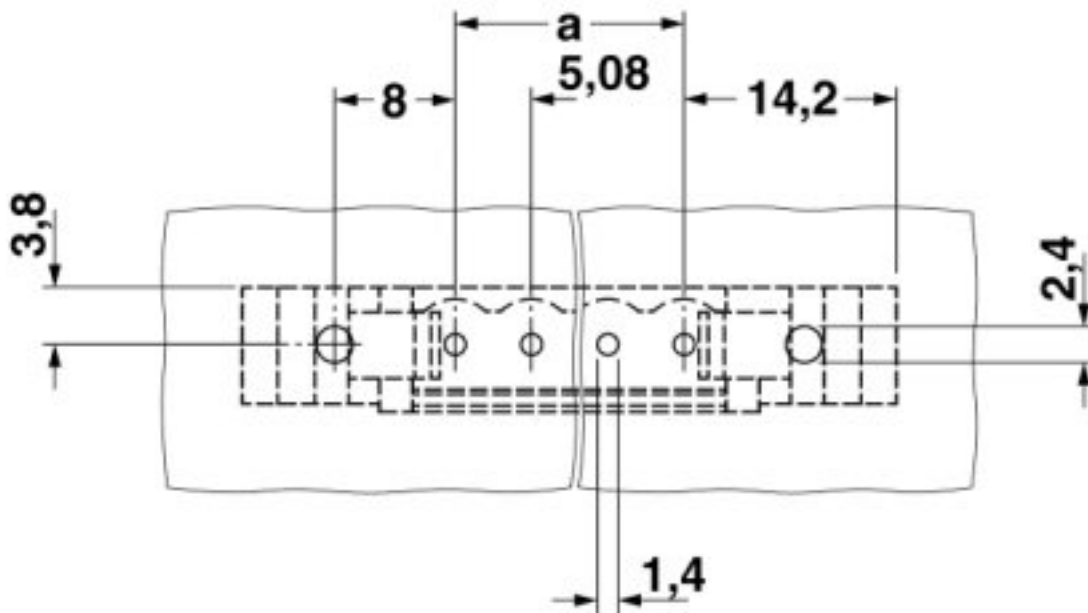
Printed-circuit board connector - SMSTB 2,5/14-ST-5,08 - 1826403

Plug component, Nominal current: 12 A, Rated voltage (III/2): 320 V, Number of positions: 14, Pitch: 5.08 mm, Connection method: Screw connection, Color: green, Contact surface: Tin



### Drawings

Drilling diagram



# Base strip - MSTBV 2,5/14-GEH-5,08 - 1808586

Dimensioned drawing

