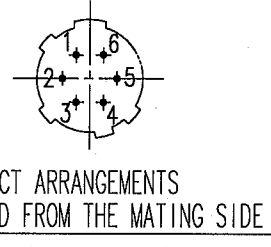
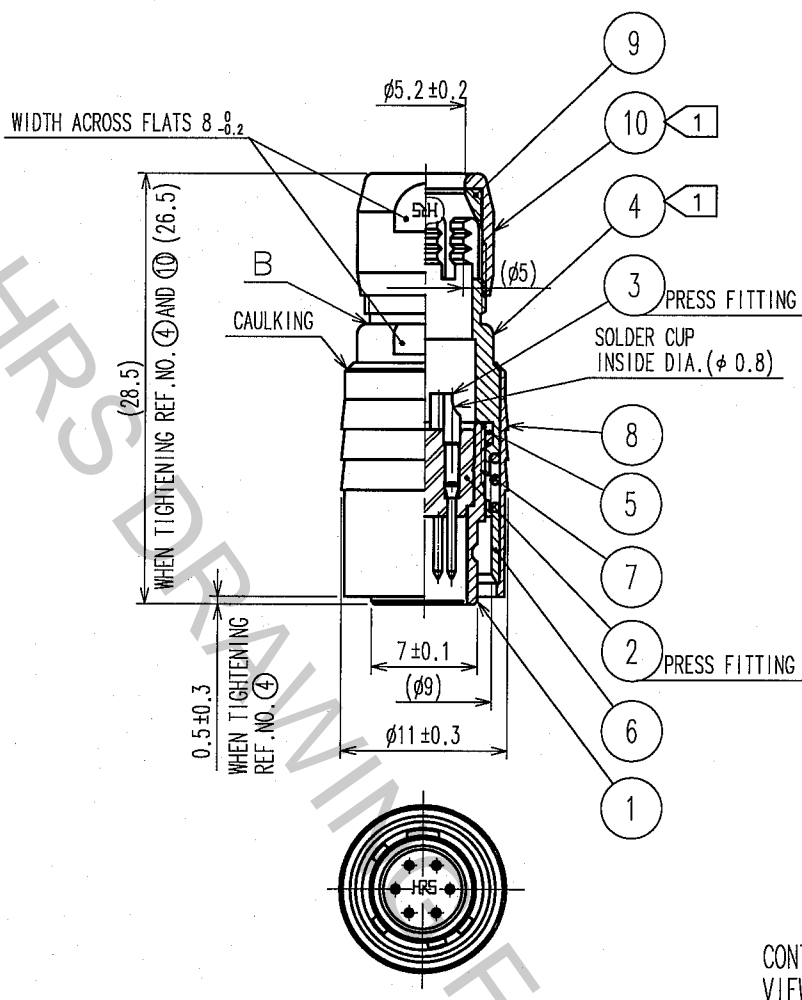


Jun.1.2018 Copyright 2018 HIROSE ELECTRIC CO., LTD. All Rights Reserved.  
 In case of consideration for using Automotive equipment/  
 device which demand high reliability, kindly contact our sales window correspondents.

1	2	3	4						
COUNT	DESCRIPTION OF REVISIONS	BY	CHKD	DATE	COUNT	DESCRIPTION OF REVISIONS	BY	CHKD	DATE
△					△				
△					△				
△					△				



NOTE 1 THE RECOMMENDED CLAMP TORQUE, REF. NO. ④ AND ⑩ : 1.5 N · m.  
 REF. NO. ⑩ SHALL BE TIGHTENED BY TORQUE AFTER CLAMPED UNTIL IT TOUCHES THE SURFACE B.  
 2 ONE EXAMPLE OF THE ROTATION OF REF. NO. ①, ④ AND ⑩ IS SHOWN.

5	POLYAMIDE		10	BRASS	MATTE FINISH NICKEL PLATING
4	BRASS	MATTE FINISH NICKEL PLATING	9	POLYAMIDE	
3	BRASS	GOLD PLATING 0.2μ m min. NICKEL UNDER PLATING 2μ m min.	8	BRASS	MATTE FINISH NICKEL PLATING
2	POLYAMIDE	(BLUE)	7	STEEL	NICKEL PLATING
1	ZINC ALLOY	MATTE FINISH NICKEL PLATING	6	STAINLESS STEEL	
NO.	MATERIAL	FINISH, REMARKS	NO.	MATERIAL	FINISH, REMARKS

CODE NO. (OLD)	DRAWN	DESIGNED	CHECKED	APPROVED	RELEASED
CL	D. Matsume	D. Matsume	H. Kishi	M. Sato	
	05.09.01	05.09.01	05.09.01	05.09.02	

DRAWING NO.	PART NO.
EDC4-007758-73	HR10-7P-6P(73)
CODE NO.	
CL110-0023-1-73	

TO
R

