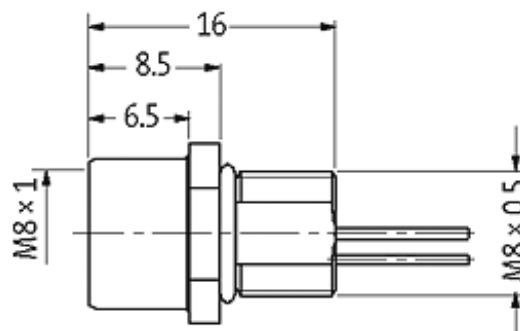
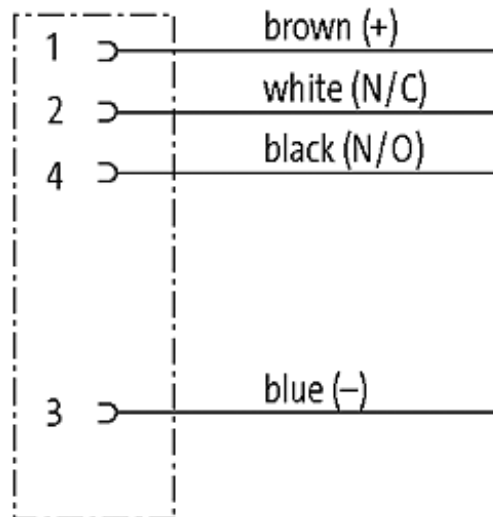


**M8 FEMALE FLANGE PLUG A CODED FRONT MOUNT**

PP-wires 4x0.25 0.5m

Flange M8 female  
with multi-strand wire  
4-pole[Link to Product](#)**Illustration**

*stay connected*

## Female



Product may differ from Image

### Form

08581

### Technical Data

|                               |  |
|-------------------------------|--|
| Operating voltage             | max. 30 V AC/DC  |
| Operating current per contact | max. 4 A   |
| Locking of ports              | Screw thread M8 × 1 mm (recommended torque 0.4 Nm) self-securing |
| Protection                    | IP67 inserted and tightened (EN 60529)                           |

### Cables

|                             |                          |
|-----------------------------|--------------------------|
| Cable number                | 969                      |
| No./diameter of wires       | 4 × 0.25 mm <sup>2</sup> |
| Wire isolation              | PP (br, wh, bl, bk)      |
| Shore hardness outer jacket | 70 ± 5D                  |
| Outer diameter              | approx. 1.25 mm          |
| Bend radius (fixed)         | 5 × outer diameter       |

|                            |                     |
|----------------------------|---------------------|
| Bend radius (moving)       | 10 × outer diameter |
| Temperature range (fixed)  | -40...+80 °C        |
| Temperature range (mobile) | -25...+80 °C        |

**General data**

|                   |              |
|-------------------|--------------|
| Temperature range | -25...+85 °C |
|-------------------|--------------|

**Commercial data**

|                        |          |
|------------------------|----------|
| country of origin      | DE       |
| customs tariff number  | 85444290 |
| minimum order quantity | 1        |