

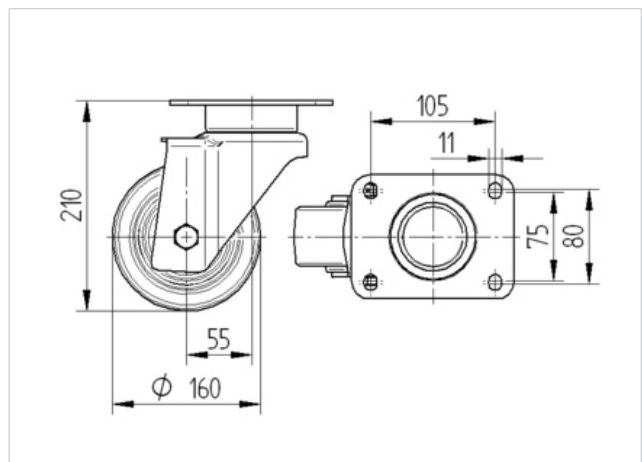
3640ITP160P63 Flat

EAN 4031582337365

Swivel castor, housing made of heavy pressed steel, bright zinc plated, blue passivated, precision ball bearing swivel head, sealed, wheel axle with nut, plate fitting.

Wheel centre made of Aluminium, Tread: Polyurethane, casted, precision ball bearing

Technical Data	
Wheel diameter	160 mm
Width of Tread	50 mm
Size of Plate	137 x 105 mm
Plate hole centres	105 x 80/75 mm
Plate hole	11 mm
Offset	55 mm
Swivel Interference	270 mm
Overall height	210 mm
Temperature	- 20 / + 60 °C
Standard	EN 12532
Weight	3.217 kg
Swivel Radius	135 mm
Hardness of tread	A 92 Shore
Load capacity	600 kg
Load capacity (static)	1200 kg



Roll performance	+	+	+	+	+
Movement noise	+	+	+	+	+
Attrition	+	+	+	+	+
Corrosion resistance	+	+	+	+	+



3640ITP160P63 Flat

EAN 4031582337365

