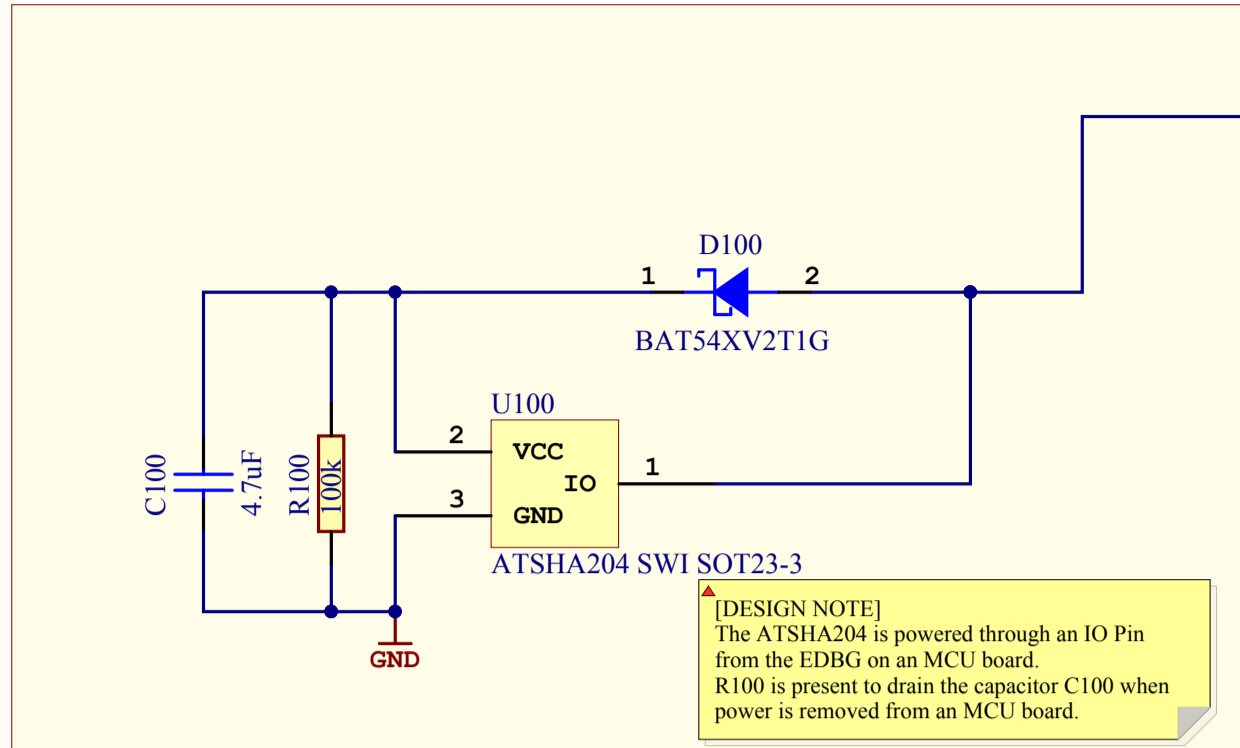
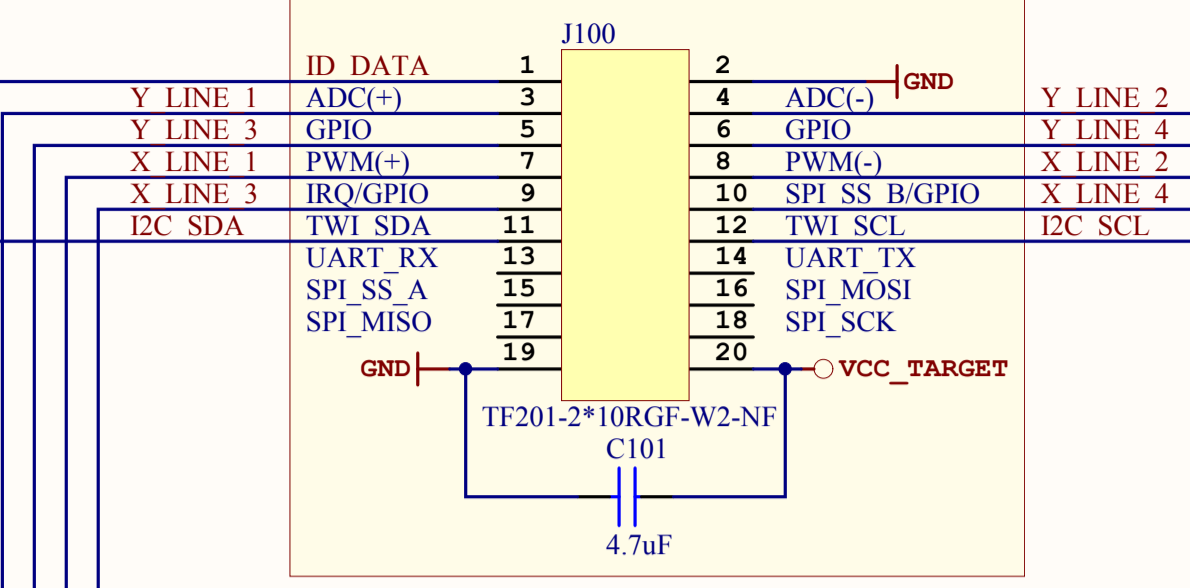


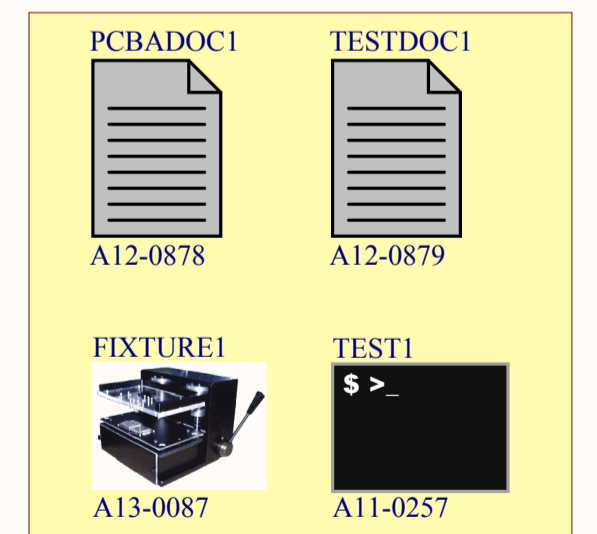
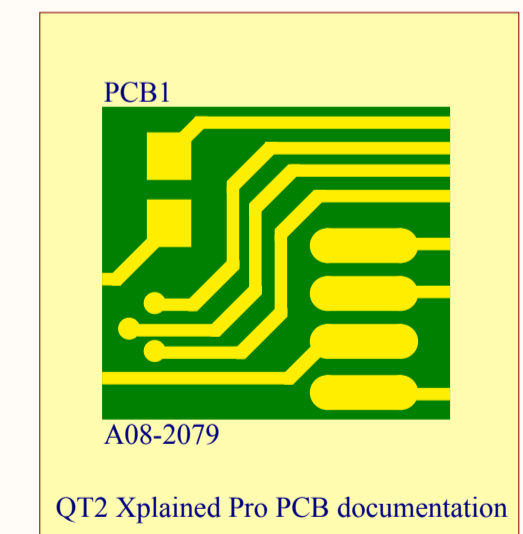
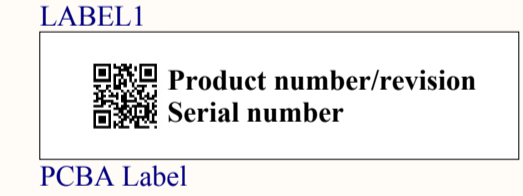
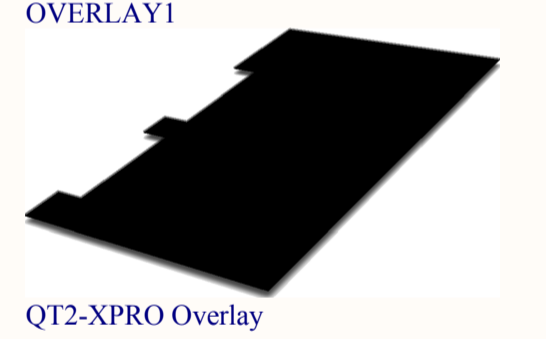
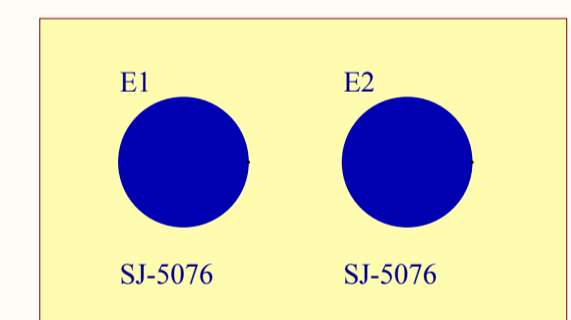
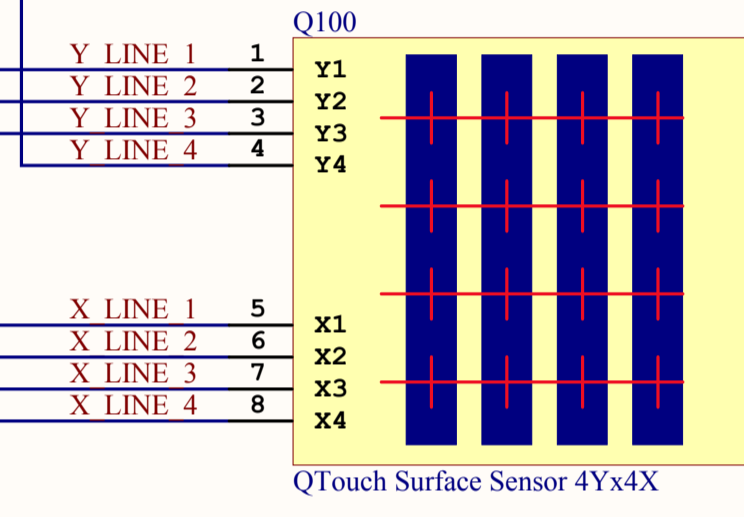
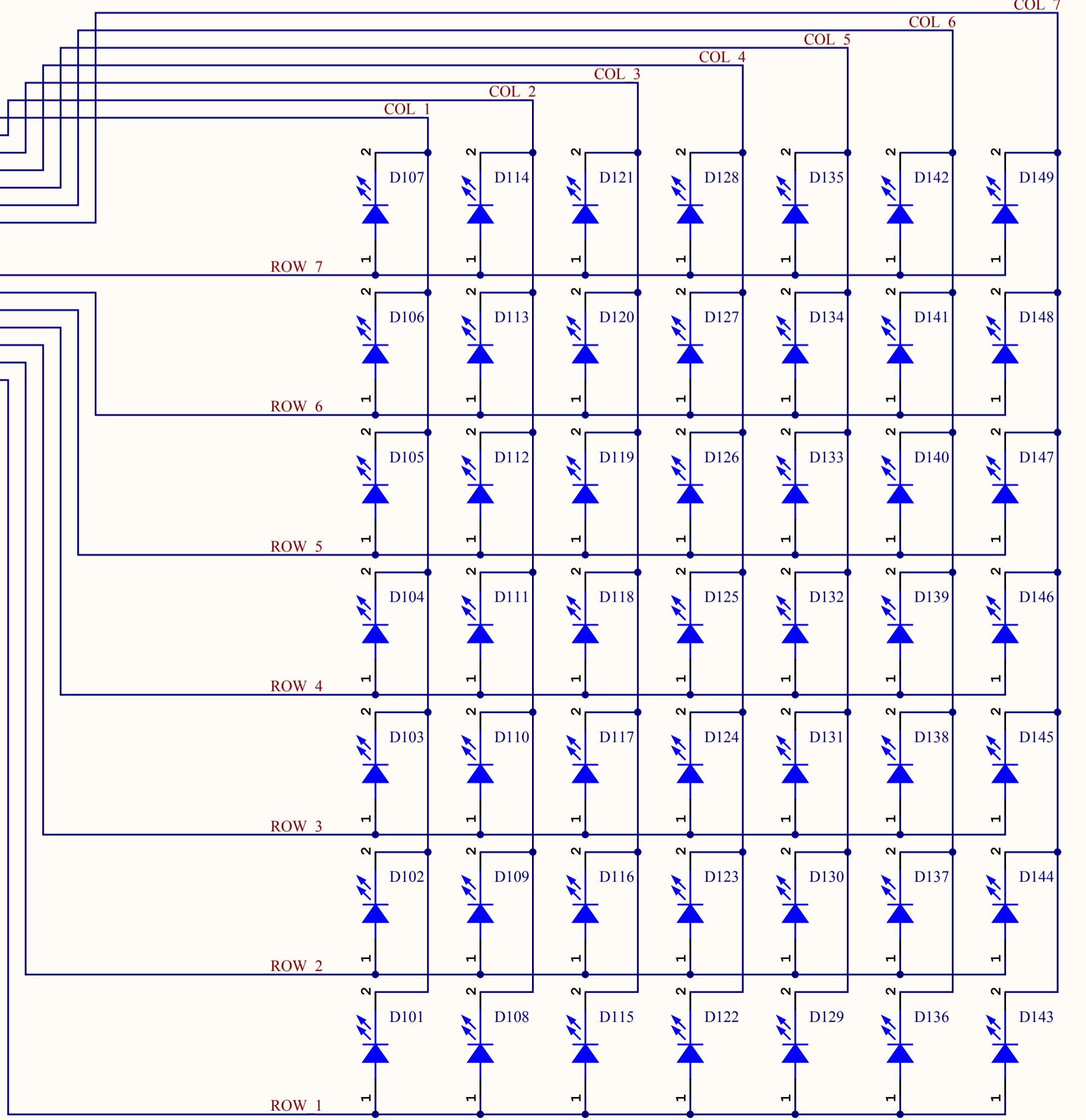
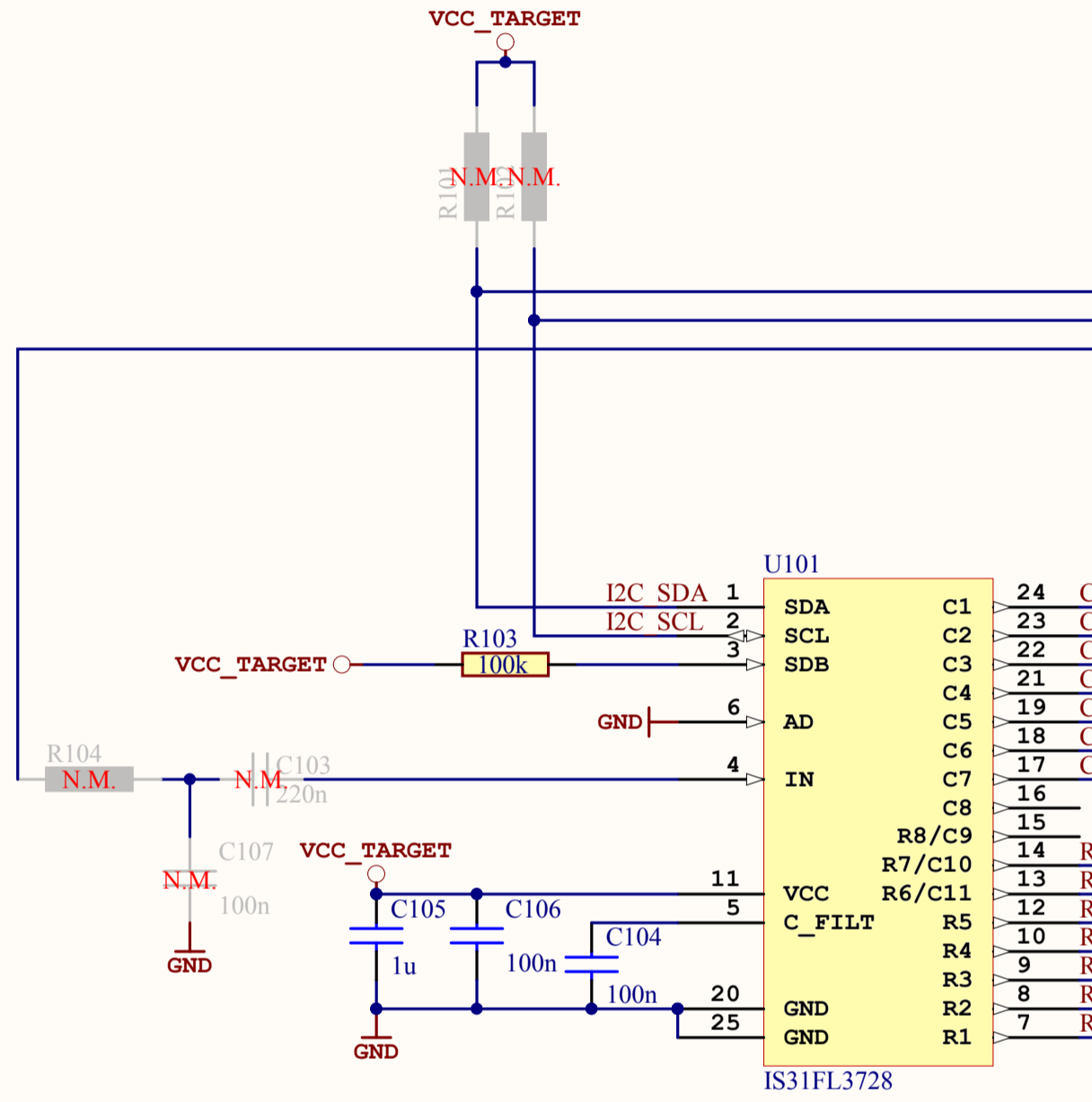
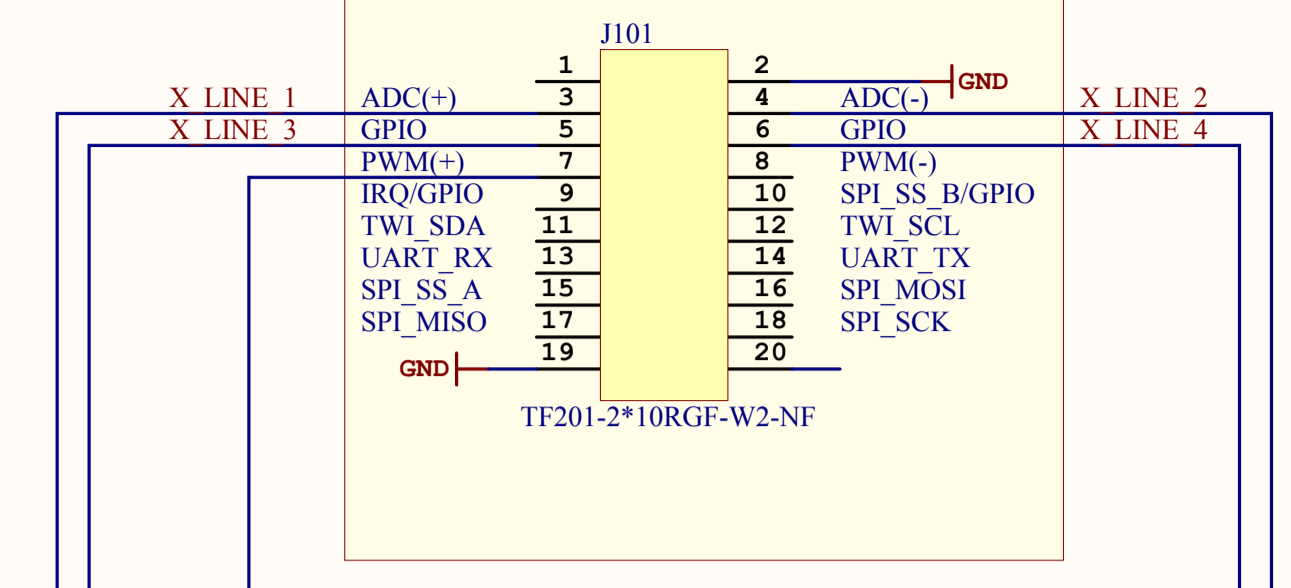
Extension Identification



Standard Extension Header (Female)



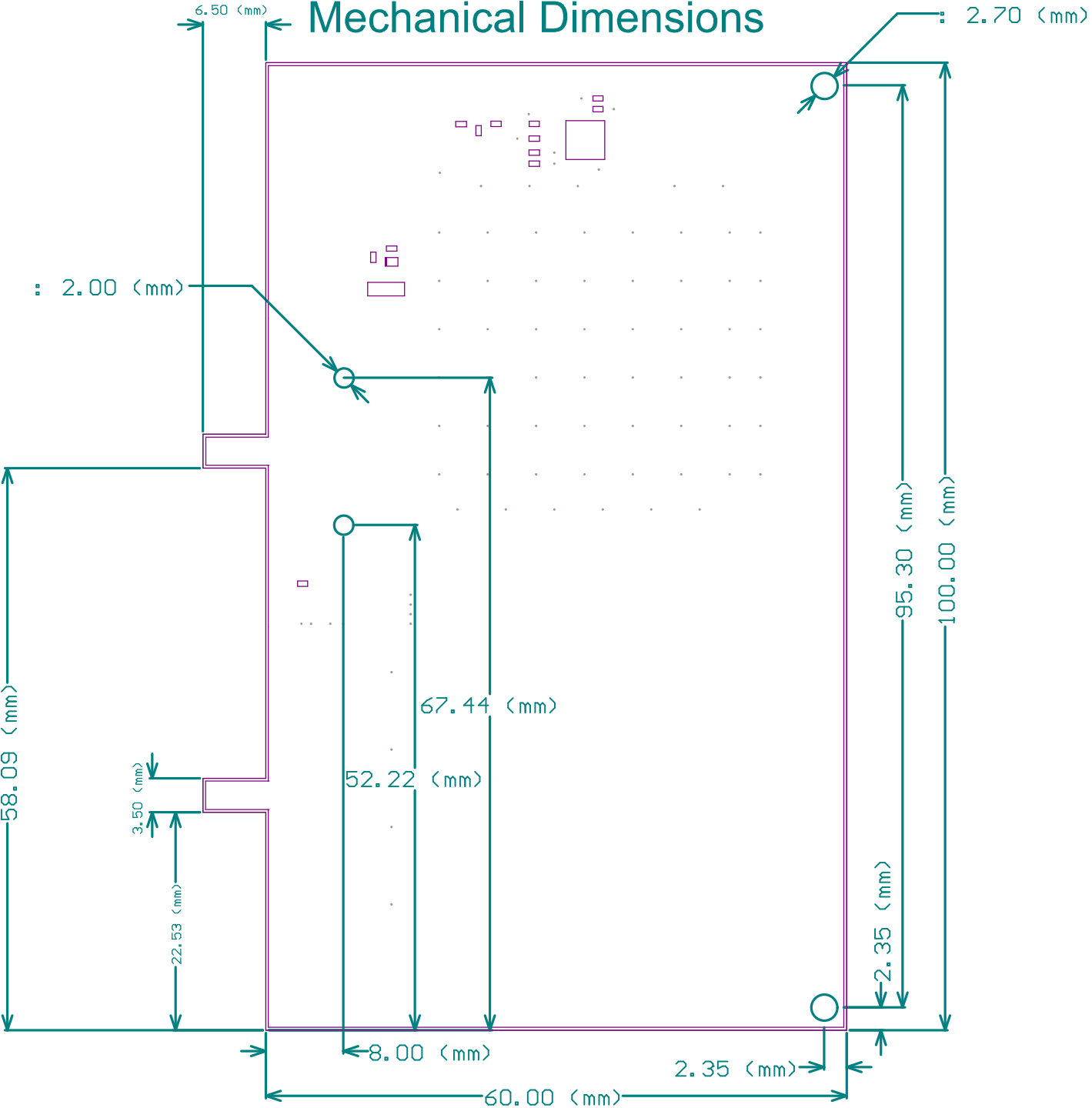
Standard Extension Header (Female)



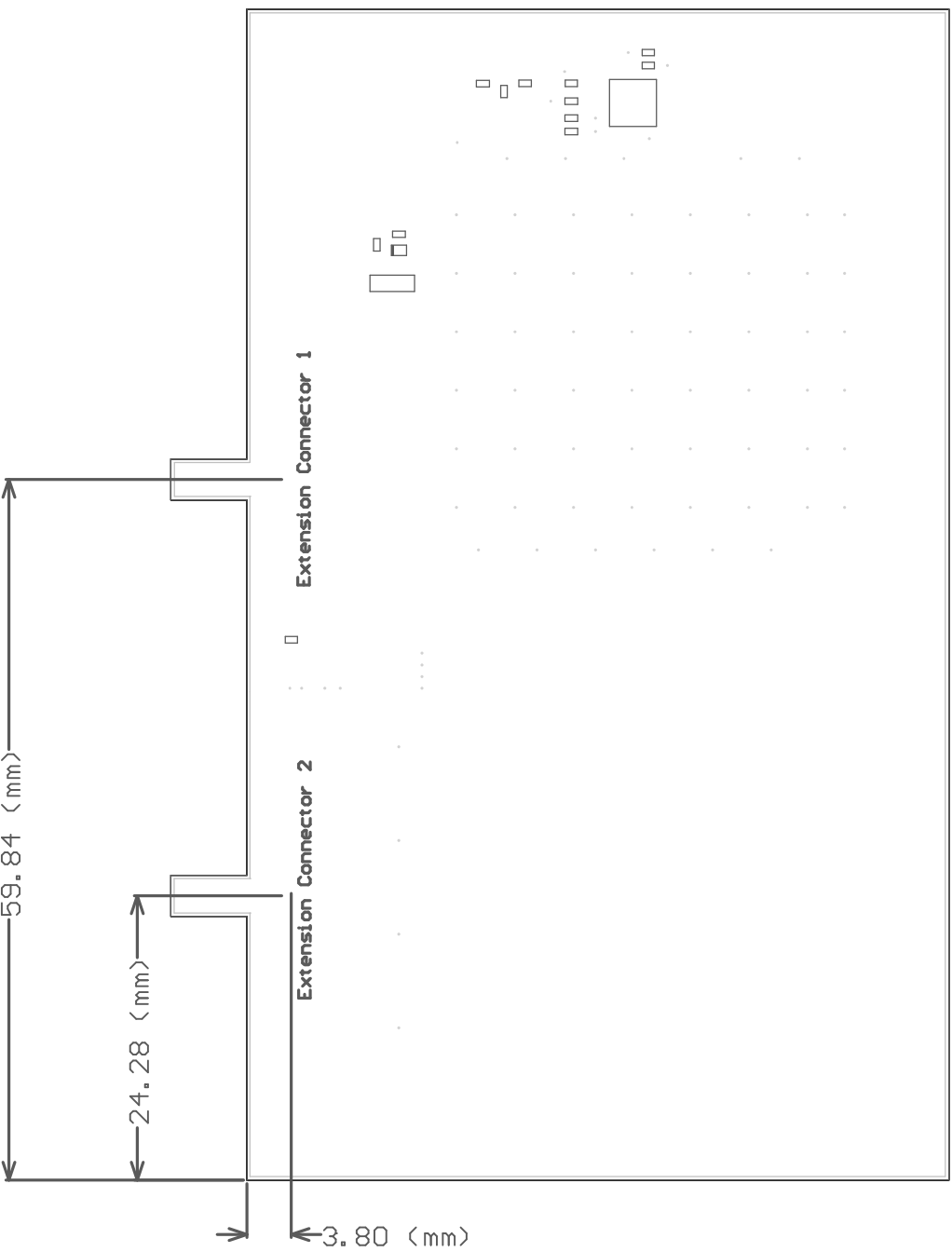
ATMEL Norway	*			
Vestre Rosten 79	*			
N-7075 TILLER	*			
NORWAY				
Date:	5/14/2014	1:56:57 PM	PAGE: 1 of 1	
Document number:	A09-2289		Revision	2
TITLE: QTouch Surface				
QT2_Xplained_Pro_Surface.SchDoc				

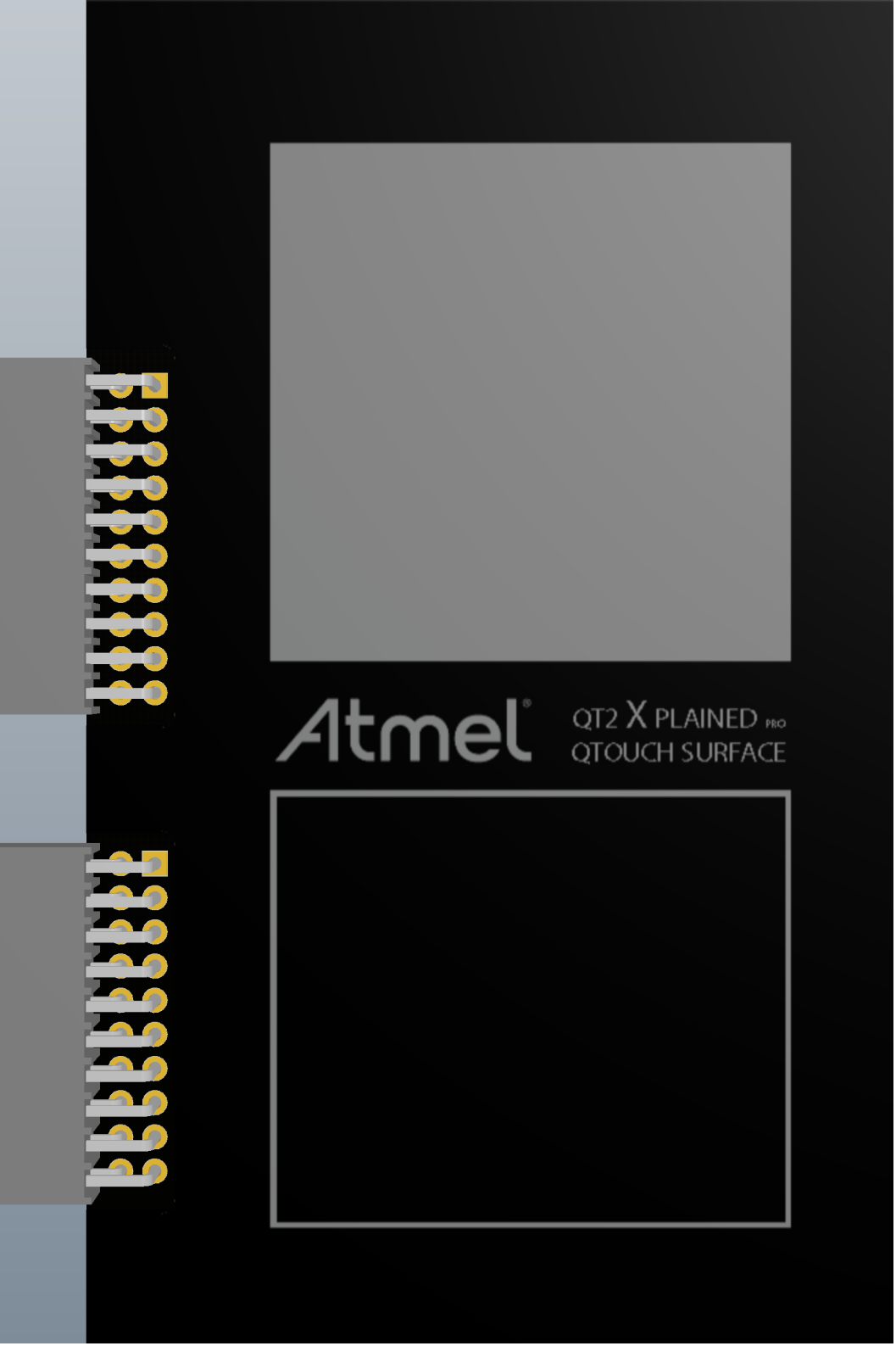


Mechanical Dimensions



Connector Placement



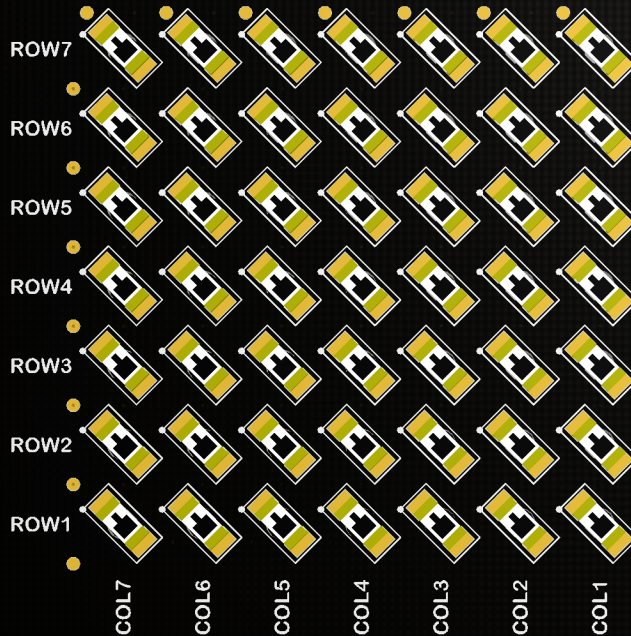
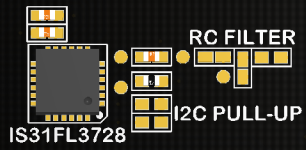


Atmel®

QT2 X PLAINED PRO
QT TOUCH SURFACE



GND



ID GND

Y1 Y2

Y3 Y4

X1 X2

X3 X4

SDA SCL

NC NC

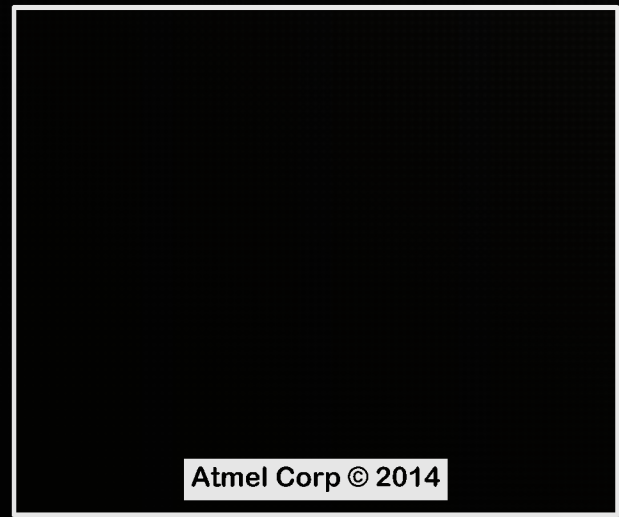
NC NC

NC NC

GND VCC



Atmel **QT2 X PLAINED** PRO
 QTOUCH SURFACE



Atmel Corp © 2014

NC GND

X1 X2

X3 X4

PWMNC

NC NC

NC NC

NC NC

NC NC

NC NC

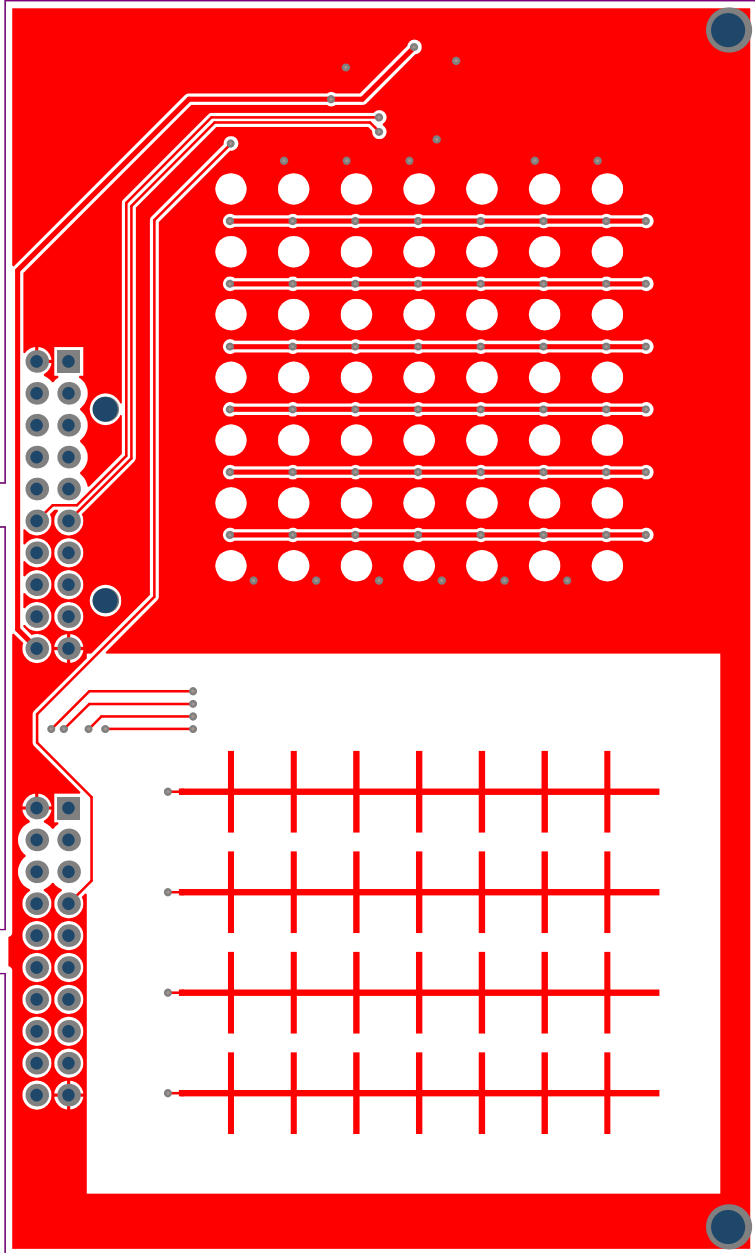
GND NC

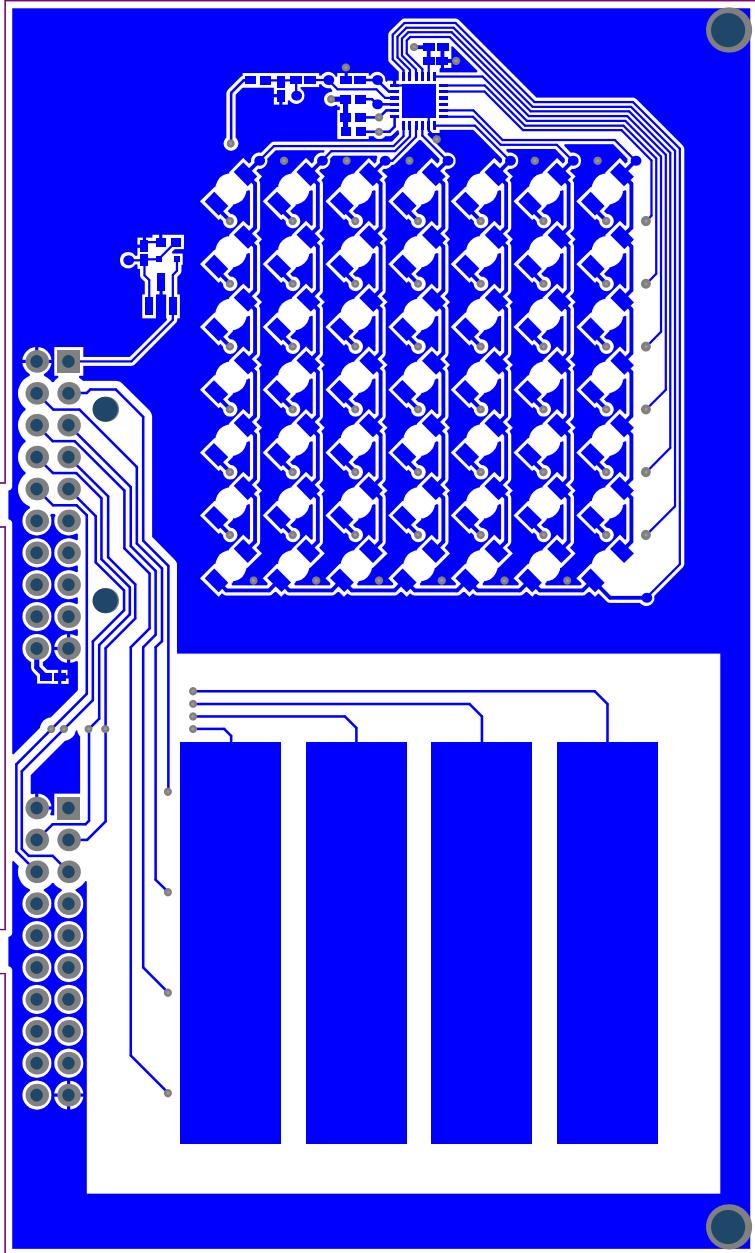


GND

PCBA LABEL
 A08-2079 Rev 2







J100

+

J101

+

OVERLAY1

0100

GND

E1

C106
C105

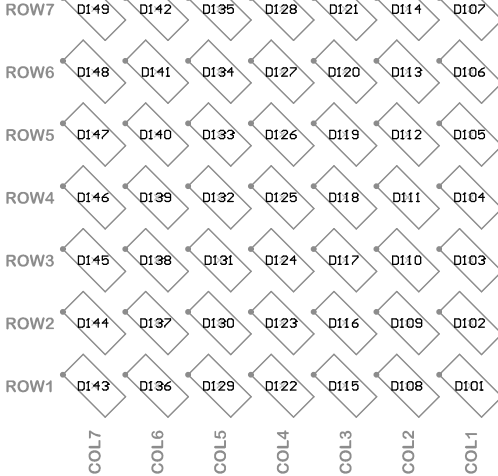
U101

C104
R103

RC FILTER

I2C PULL-UP

IS31FL3728



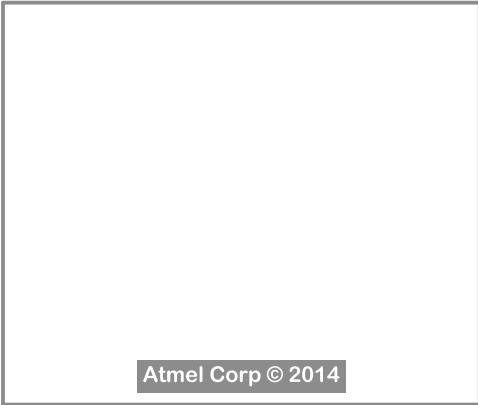
ID GND
Y1 Y2
Y3 Y4
X1 X2
X3 X4
SDA SCL
NC NC
NC NC
NC NC
GND VCC

1 2

Atmel

QT2 X PLAINED PRO QTOUCH SURFACE

C101
EXT1



NC GND
X1 X2
X3 X4
PWMNC
NC NC
NC NC
NC NC
NC NC
GND NC

1 2

EXT2

GND

E2

PCBA LABEL
A08-2079 Rev 2



Component list

Bill of Materials Fitted For Variant [Default_assembly] of Project [QT2_Xplained_Pro.PrjPCB] (No PCB Document Selected)

Source Data From: QT2_Xplained_Pro.PrjPCB
 Project: QT2_Xplained_Pro.PrjPCB
 Variant: Default_assembly



Report Date: 5/14/2014 1:57:10 PM
 Print Date: 5/14/2014 1:57:09 PM

Fitted	Designator	Quantity	Value	Manufacturer	MPN	Description
Fitted	C100, C101	2	4.7uF	Murata	GRM155R60J475ME87D	Ceramic capacitor, SMD 0402, X5R, 6.3V, +/-20% (de33687)
Fitted	C104, C106	2	100n	Kemet	C0402C104K4RACTU	Ceramic capacitor, SMD 0402, X7R, 16V, +/-10%
Fitted	C105	1	1u	Kemet	C0402C105K9PAC	Ceramic capacitor, SMD 0402, X5R, 6.3V, +/-10% (de26942)
Fitted	D100	1	BAT54XV2T1G	ON Semiconductor	BAT54XV2T1G	Schottky diode, If:200mA, Vf:0.35V, Vrrm:30V, SOD-523
Fitted	D101, D102, D103, D104, D105, D106, D107, D108, D109, D110, D111, D112, D113, D114, D115, D116, D117, D118, D119, D120, D121, D122, D123, D124, D125, D126, D127, D128, D129, D130, D131, D132, D133, D134, D135, D136, D137, D138, D139, D140, D141, D142, D143, D144, D145, D146, D147, D148, D149	49	24-21/BHC-AN1P2/2A	Everlight	24-21/BHC-AN1P2/2A	LED, SMD, BLUE, 3.2x1.6mm, reverse mount
Fitted	E1, E2	2	SJ-5076	3M	SJ-5076	2.8mm adhesive feet,diam 8.0mm
Fitted	FIXTURE1	1	Xplained PRO Extension board Jupiter Test Fixture	ESCA TEC	Xplained PRO Extension board Jupiter Test Fixture	Xplained PRO Extension board Jupiter Test Fixture
Fitted	J100, J101	2	TF201-2*10RGF-W2-NF	Pro-data International Corp	F201-2*10RGF-W2-NF	2x10, female pin header receptable, right-angled, 2.54mm pitch, THM, Pin In Paste
Fitted	LABEL1	1	PCBA Label	ACT Logimark AS	505462	PCBA identification label PP Top White Gloss
Fitted	OVERLAY1	1	QT2-XPRO Overlay			Lexan, 0.5mm, w/3M tape, overlay for QT2 Xplained Pro kit
Fitted	PCB1	1	QT2 Xplained Pro PCB documentation			QT2 Xplained Pro PCB, 4 layer, 66.5mm x 100mm
Fitted	PCBADOCC1	1	A09-2289 PCBA Files			QT2 Xplained Pro PCBA documentation
Fitted	R100, R103	2	100k			Thick film resistor, SMD 0402, 1/16W, 1%
Fitted	TEST1	1	QT2 Xplained Pro test			Fixture eggTest for QT2 Xplained Pro
Fitted	TESTDOC1	1	QT2 Xplained Pro Test Instructions			QT2 Xplained Pro Test Instructions
Fitted	U100	1	ATSHA204 SWI SOT23-3	ATMEL	ATSHA204A-STUCZ-T	ATSHA204 with 1-wire interface and SOT23-3 package
Fitted	U101	1	IS31FL3728			64 node LED matrix driver, I2C, 2.7 - 5.5V
Not Fitted	C103	0	220n	Murata	GRM155R61A224KE19D	Ceramic capacitor, SMD 0402, X5R, 10V, +/-10%
Not Fitted	C107	0	100n	Kemet	C0402C104K4RACTU	Ceramic capacitor, SMD 0402, X7R, 16V, +/-10%
Not Fitted	R101, R102	0	4.7k			Thick film resistor, SMD 0402, 1/16W, 1%
Not Fitted	R104	0	82R			Thick film resistor, SMD 0402, 1/16W, 1%
		70				

Approved

Notes