

**Ordering number CA12787_STRADA-K**

Family	Strada-K	FWHM	Asym degrees
Type	Assembly	Efficiency	96 %
LED	3535 Ceramic (LEMWA33)	3W cd/lm	0.840
Color	Clear	Gerber File	Available
Diameter	19.6 + 15.5 mm		
Height	8.8 mm		
Style	Rectang		
Optic Material	PMMA		
Holder Material	-		
Fastening	Pin, tape		
Status	Ready		

NOTE: The typical divergence will be changed by different color, chip size and chip position tolerance. The typical total divergence is the full angle measured where the luminous intensity is half of the peak value.



PRODUCT DATASHEET

Strada-K series

last update 2/1/2013

GENERAL INFORMATION

- Product series especially designed & optimized for 3535 Ceramic 3W (LEMWA33) series of LEDs.
- Special care taken to make light distribution as uniform as possible.
- Lens material optical grade PMMA with high UV and temperature resistance. Allows use of high current and temperature conditions.

Please find more information about used material from below:

http://ledil.fi/sites/default/files/Documents/Technical/Material/PMMA%20N%20UL94_Yellow%20Card.pdf

<http://ledil.fi/sites/default/files/Documents/Technical/Material/PMMA%20N%20PLEXIGLAS-Datasheet.pdf>

D

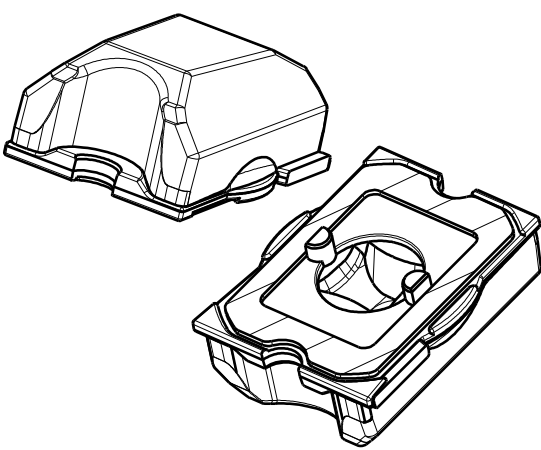
C

B

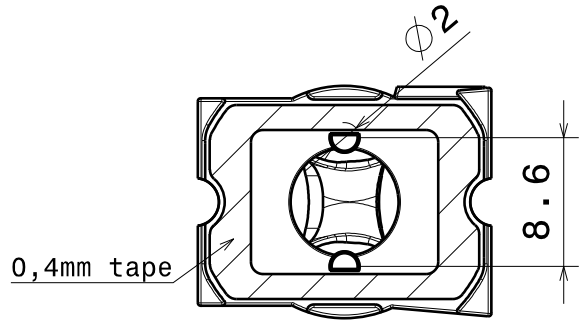
A

4

4



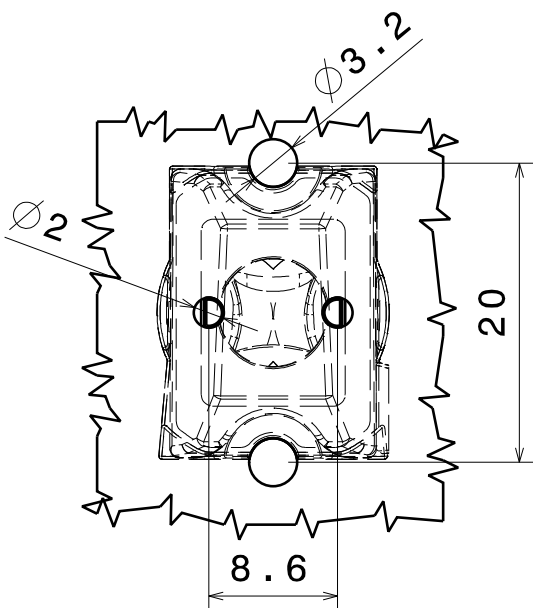
Isometric view



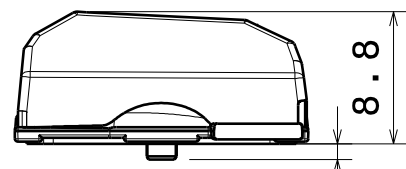
Bottom view

3

3



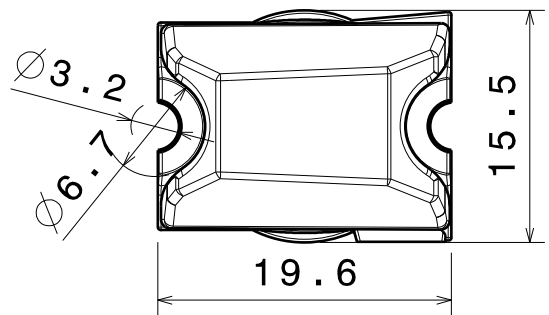
PCB- suggestion



Front view

2

2



Top view

Material: PMMA

Tolerances for dimensions:
 0-20mm tolerance value ± 0.1 mm
 21-45mm tolerance value ± 0.2 mm
 46-90mm tolerance value ± 0.3 mm
 91-100mm tolerance value ± 0.4 mm
 101-mm tolerance value ± 0.5 mm

This drawing is our property.
 It can't be reproduced
 or communicated without
 our written agreement.



Ledil Oy
 Salorankatu 10
 FIN 24240 SALO
 Finland

DRAWING TITLE

DRAWN BY
 mav

DATE
 18.04.2012

Datasheet STRADA-K

CHECKED BY
 sn

DATE
 18.04.2012

SIZE
 A4

DRAWING NUMBER
 CA12787

REV
 1

DESIGNED BY
 mav

DATE
 06.03.2012

SCALE 1:1

WEIGHT (g)

SHEET 1/1

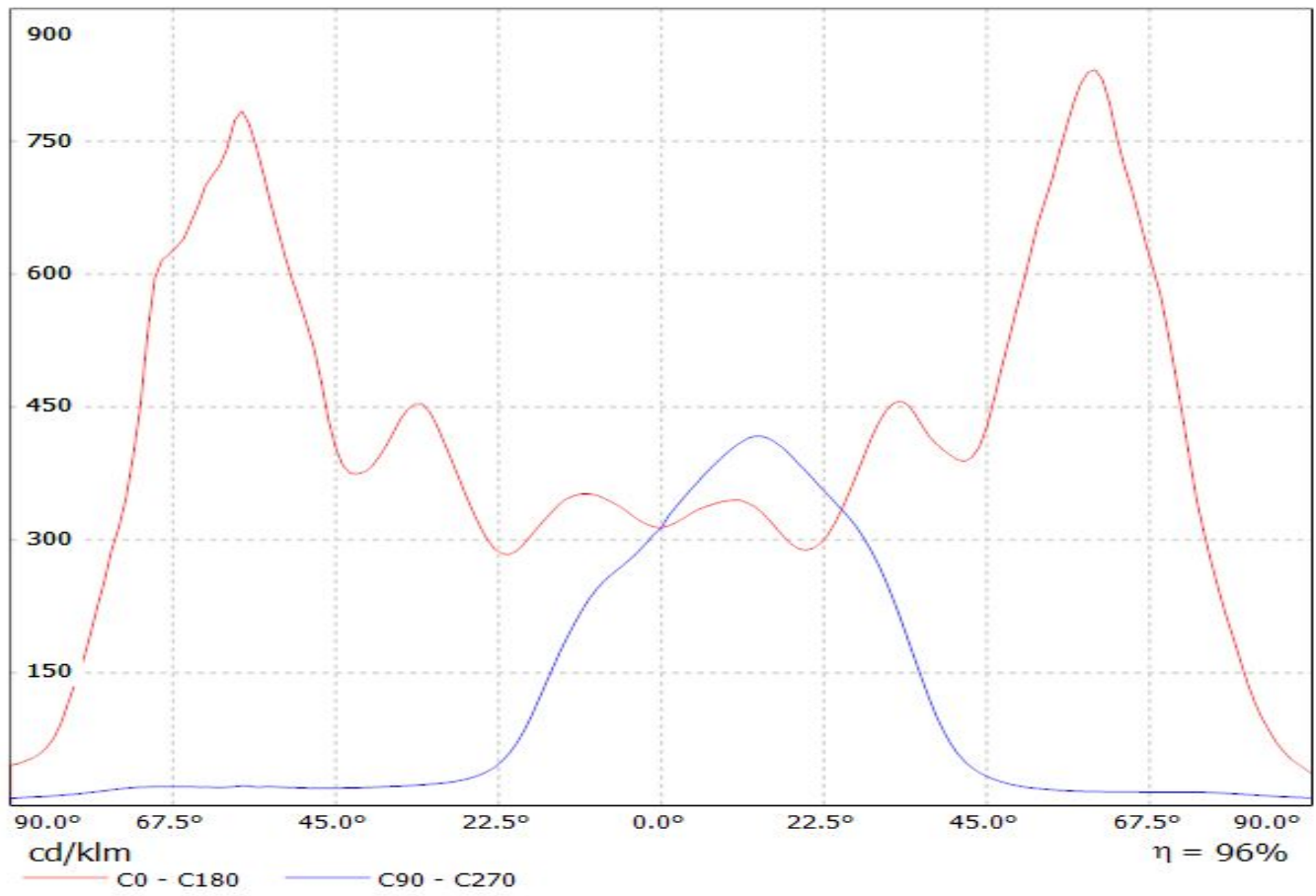
D

A

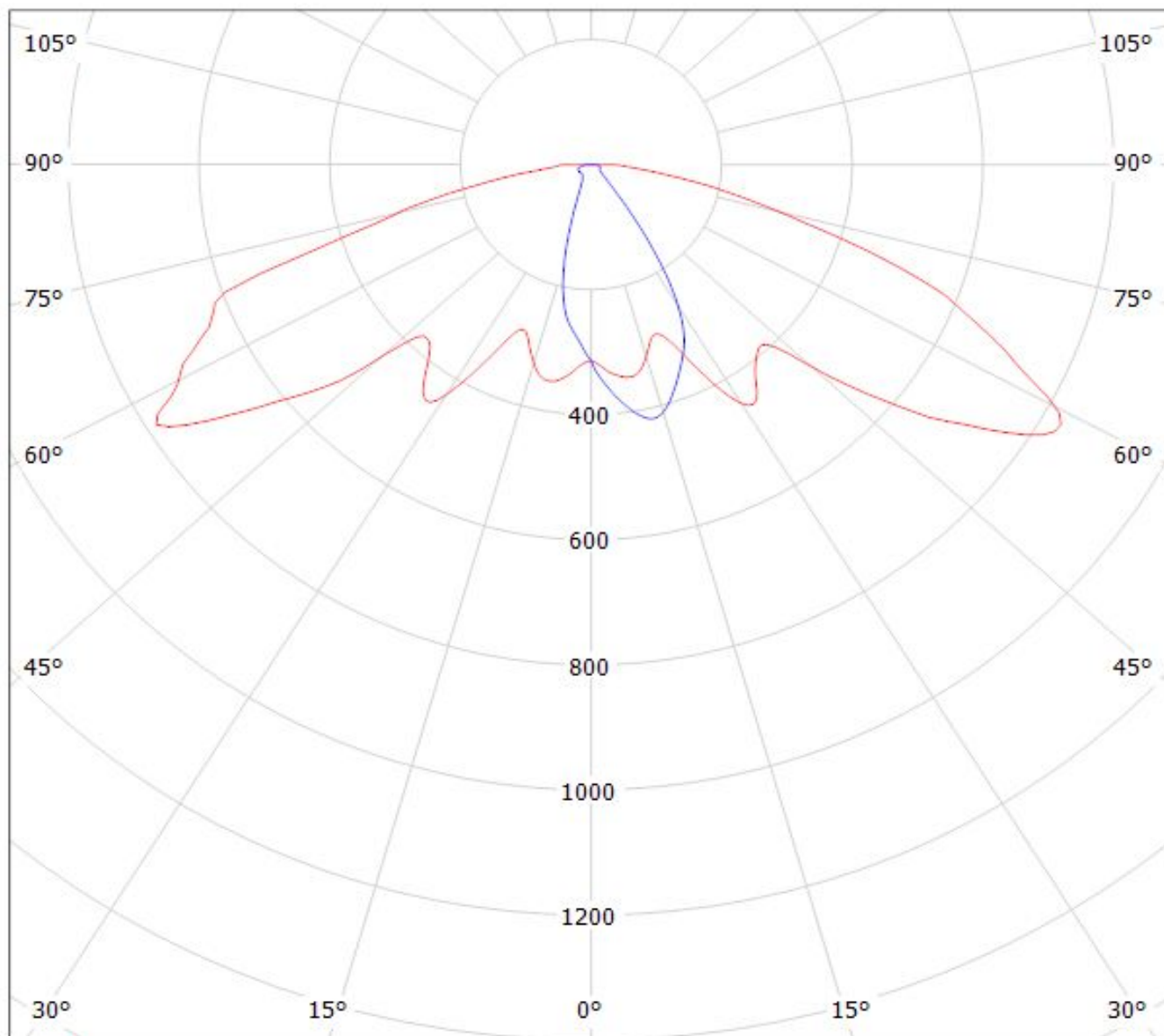
1

1

Luminaire: LEDiL Oy CA12787_STRADA-K_(LG3535) Eff. 96,1%
Lamps: 1 x LG Ceramic 3535 PKG (95lm@250mA)



Luminaire: LEDiL Oy CA12787_STRADA-K_(LG3535) Eff. 96,1%
Lamps: 1 x LG Ceramic 3535 PKG (95lm@250mA)



cd/klm

$\eta = 96\%$

— C0 - C180 — C90 - C270