

Main

Range of product	TeSys GS
Device short name	GS2L
Fuse type	DIN
Fuse size	0
Product or component type	Fuse switch disconnector body
Poles description	3P
Network type	AC DC
Type of operating handle	External frontal External right side
[I _{th}] conventional free air thermal current	160 A at 40 °C

Complementary

Network frequency	50/60 Hz
Mounting support	Plate Rail
[U _i] rated insulation voltage	750 V AC 50/60 Hz
[U _{imp}] rated impulse withstand voltage	8 kV
Short-circuit withstand	20 kA
[I _e] rated operational current	160 A at 500 V AC-23B 160 A at 500 V AC-23A 160 A at 400 V AC-23B 160 A at 400 V AC-23A 125 A at 690 V AC-23B 125 A at 690 V AC-23A 125 A at 440 V 2 poles in series per phase DC-23B 125 A at 440 V 2 poles in series per phase DC-23A
Rated operational power in W	80 kW at 400 V AC-23B 80 kW at 400 V AC-23A 110 kW at 690 V AC-23B 110 kW at 690 V AC-23A 110 kW at 500 V AC-23B 110 kW at 500 V AC-23A
Making capacity	1600 A at 400 V (AC-23B)
[I _{cm}] rated short-circuit making capacity	160 kA rating of associated fuses 100 kA at 400 V with protection by gl fuses
Breaking capacity	1280 kA at 400 V AC-23B
Mechanical durability	10000 cycles
Electrical durability	200 cycles on DC-23B 200 cycles on DC-23A 1000 cycles on AC-23B 1000 cycles on AC-23A
Connections - terminals	Power circuit: cable cable 50...95 mm ² Power circuit: bars cable 20 mm ²
Tightening torque	Power circuit: 12 N.m
Height	190 mm
Width	162 mm
Depth	136.5 mm
Product weight	1.8 kg

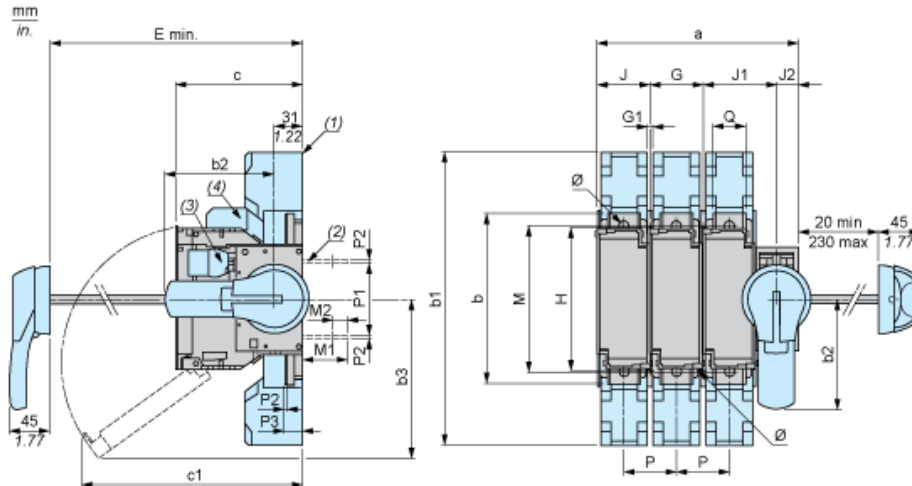
Environment

Standards	IEC 60269-1 IEC 60269-2 IEC 60947-3
Product certifications	ASEFA LOVAG LROS (Lloyds register of shipping)
IP degree of protection	IP20 with terminal cover conforming to IEC 60529
Ambient air temperature for operation	-20...70 °C
Ambient air temperature for operation	-40...80 °C storage -20...70 °C operation
Fire resistance	960 °C body conforming to IEC 60695-2-1 850 °C fuse cover conforming to IEC 60695-2-1

Contractual warranty

Period	18 months
--------	-----------

External Front and RH Side-mounted Operator



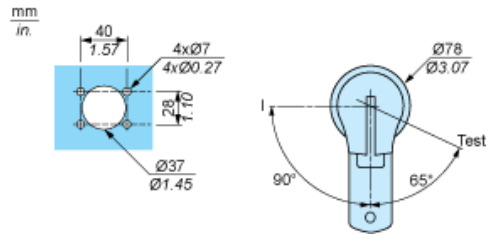
- (1) Terminal cover.
- (2) Rear access connector plates (option).
- (3) 1 to 8 auxiliary contacts GS1AM1••.
- (4) 1 to 2 auxiliary contacts GS1AF••.
- (5) 1 auxiliary contact GS1AM1••: + 23.5 mm, 2 auxiliary contacts GS1AM1••: + 47 mm.
- (6) 132 mm with 2 auxiliary contacts GS1AM1••.

In the following table the dimensions are provided in millimeters and in inches (in italic text).

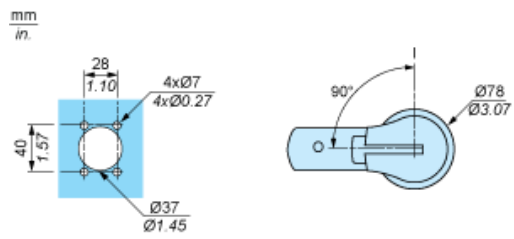
GS2	a	b	b1	b2	b3	c	c1	<i>E min.</i>	G	G1	H	J	J1	J2	Ø	M	M1	M2	P	P1	P2	P3	Q	Ø
F, DB	3P 121 4.76	118 4.65	-	70 2.76	85 3.35	87 (5) 3.43	153 6.02	100 (5) 3.94	27 1.06	5.4 0.21	106 4.17	31 1.22	45 1.77	18 0.71	5 0.20	-	15 0.59	6 0.24	27 1.06	59 2.32	2 0.08	-	12 0.47	-
4P	148 5.83	118 4.65	-	70 2.76	85 3.35	87 (5) 3.43	153 6.02	100 (5) 3.94	27 1.06	5.4 0.21	106 4.17	31 1.22	45 1.77	18 0.71	5 0.20	-	15 0.59	6 0.24	27 1.06	59 2.32	2 0.08	-	12 0.47	-
G, GB	3P 136 5.35	118 4.65	-	70 2.76	159 6.26	116.5 (6) 4.57	125 5.71	125 4.92	32 1.26	5.4 0.21	106 4.17	36 1.42	50 1.97	18 0.71	5 0.20	-	15 0.59	6 0.24	32 1.26	59 2.32	2 0.08	-	12 0.47	-
4P	168 6.61	118 4.65	-	70 2.76	159 6.26	116.5 (6) 4.57	125 5.71	125 4.92	32 1.26	5.4 0.21	106 4.17	36 1.42	50 1.97	18 0.71	5 0.20	-	15 0.59	6 0.24	32 1.26	59 2.32	2 0.08	-	12 0.47	-
J, JB, K	3P 148 5.83	162 6.38	268 10.55	125 4.92	141 5.55	116 (6) 4.57	187 7.36	135 5.31	36 1.42	5.4 0.21	127 5.00	40 1.57	54 2.13	18 0.71	5 0.20	141 5.55	41 1.61	8 0.31	36 1.42	62 2.44	2.5 0.10	19.5 0.77	20 0.79	8.5 0.33
4P	184 7.24	162 6.38	268 10.55	125 4.92	141 5.55	116 (6) 4.57	187 7.36	135 5.31	36 1.42	5.4 0.21	127 5.00	40 1.57	54 2.13	18 0.71	5 0.20	141 5.55	41 1.61	8 0.31	36 1.42	62 2.44	2.5 0.10	19.5 0.77	20 0.79	8.5 0.33
KK, LL	3P 148 5.83	162 6.38	268 10.55	125 4.92	141 5.55	126.5 (6) 4.98	193 7.60	135 5.31	36 1.42	5.4 0.21	127 5.00	40 1.57	54 2.13	18 0.71	5 0.20	141 5.55	41 1.61	8 0.31	36 1.42	62 2.44	2.5 0.10	19.5 0.77	20 0.79	8.5 0.33
4P	184 7.24	162 6.38	268 10.55	125 4.92	141 5.55	126.5 (6) 4.98	193 7.60	135 5.31	36 1.42	5.4 0.21	127 5.00	40 1.57	54 2.13	18 0.71	5 0.20	141 5.55	41 1.61	8 0.31	36 1.42	62 2.44	2.5 0.10	19.5 0.77	20 0.79	8.5 0.33
L, LB, LLB	3P 190 7.48	162 6.38	268 10.55	125 4.92	174 6.85	136.5 (6) 5.37	229 9.02	145 5.71	50 1.97	5.4 0.21	140 5.51	54 2.13	64 2.52	18 0.71	5 0.20	141 5.55	41 1.61	8 0.31	50 1.97	62 2.44	2.5 0.10	19.5 0.77	20 0.79	8.5 0.33
4P	240 9.45	162 6.38	268 10.55	125 4.92	174 6.85	136.5 (6) 5.37	229 9.02	145 5.71	50 1.97	5.4 0.21	140 5.51	54 2.13	64 2.52	18 0.71	5 0.20	141 5.55	41 1.61	8 0.31	50 1.97	62 2.44	2.5 0.10	19.5 0.77	20 0.79	8.5 0.33

GS2		a	b	b1	b2	b3	c	c1	E min.	G	G1	H	J	J1	J2	Ø	M	M1	M2	P	P1	P2	P3	Q	Ø
MMB, NB, N	3P	234	195	345	125	185	146	251	154	60	6.4	162	64	86	25	6	166	52	17	60	84	2.5	19.5	32	11
		9.21	7.68	13.58	4.92	7.28	5.75	9.88	6.06	2.36	0.25	6.38	2.52	3.39	0.98	0.24	6.54	2.05	0.67	2.36	3.31	0.10	0.77	1.26	0.43
4P	294	195	345	125	185	146	251	154	60	6.4	162	64	86	25	6	166	52	17	60	84	2.5	19.5	32	11	
	11.57	7.68	13.58	4.92	7.28	5.75	9.88	6.06	2.36	0.25	6.38	2.52	3.39	0.98	0.24	6.54	2.05	0.67	2.36	3.31	0.10	0.77	1.26	0.43	
PPB, QQB, QQ	3P	252	205	355	125	200	149	260	157	66	6.4	172	70	91	25	6	175	54	14.5	66	84	3	20	50	11
		9.92	8.07	13.98	4.92	7.87	5.87	10.24	6.18	2.60	0.25	6.77	2.76	3.58	0.98	0.24	6.89	2.13	0.57	2.60	3.31	0.12	0.79	1.97	0.43
4P	318	205	355	125	200	149	260	157	66	6.4	172	70	91	25	6	175	54	14.5	66	84	3	20	50	11	
	12.52	8.07	13.98	4.92	7.87	5.87	10.24	6.18	2.60	0.25	6.77	2.76	3.58	0.98	0.24	6.89	2.13	0.57	2.60	3.31	0.12	0.79	1.97	0.43	

Door Cut-out - For External Front-mounted Operator



Door Cut-out - For External RH Side-mounted Operator



3-pole GS

