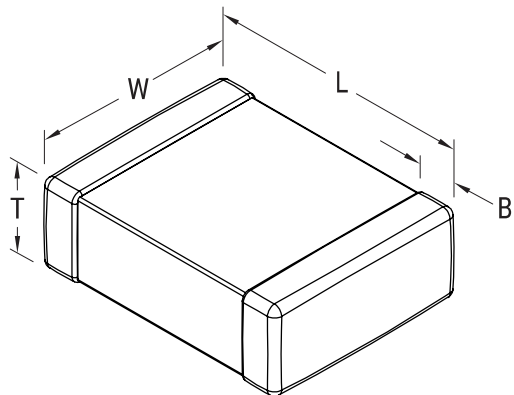


KEMET Part Number: C1812V334KCRACTU
(C1812V334KCRAC7800)

ArcShield SMD Comm X7R HV, Ceramic, 0.33 uF, 10%, 500 VDC, X7R, SMD, MLCC, ArcShield, High Voltage, Temperature Stable, 1812



Dimensions	
L	4.5mm +/-0.3mm
W	3.2mm +/-0.3mm
T	2.1mm +/-0.20mm
B	0.6mm +/-0.35mm

Packaging Specifications	
Packaging:	T&R, 180mm, Plastic Tape
Packaging Quantity:	500

General Information	
Supplier:	KEMET
Series:	ArcShield SMD Comm X7R HV
Style:	SMD Chip
Description:	SMD, MLCC, ArcShield, High Voltage, Temperature Stable
Features:	High Voltage, Temperature Stable
RoHS:	Yes
Termination:	Tin
Marking:	No
Miscellaneous:	Note: Referee time for X7R dielectric for this part number is 1000 hours. X7R dielectric is not recommended for AC line filtering or pulse applications
Chip Size:	1812

Specifications	
Capacitance:	0.33 uF
Capacitance Tolerance:	10%
Voltage DC:	500 VDC
Dielectric Withstanding Voltage:	750 VDC
Temperature Range:	-55/+125C
Temperature Coefficient:	X7R
Dissipation Factor:	2.50% 1kHz 25C
Aging Rate:	3% Loss/Decade Hour
Insulation Resistance:	303 MOhms